

# Trim Book Revision Log:

4/4/2017

<u>Book pg:</u>	<u>Page GP Code:</u>	<u>Description:</u>	<u>Revision Date:</u>
1		Directory, pg 1	4/4/2017
2		Directory, pg 2	4/4/2017
3		Directory, pg 3	4/4/2017
4		Directory, pg 4	4/4/2017
5	AWN_LF	Awning Panel copy	4/30/2014
6	B-DECK	B Deck	9/23/2014
7	BG	Box Girt	5/22/2014
8	BT	Base trim	12/30/2010
9	COP	Change of Pitch	3/19/2015
10	DA	Double-angle AG	12/30/2010
11	DA_R	Double-angle R	12/30/2010
12	DJC_3	Jamb cover 3	12/30/2010
13	DJC_4	Jamb trim 4	12/30/2010
14	DJC_8	Jamb trim 8	3/19/2015
15	DPT	Door post trim	12/30/2010
16	DRI	Drip metal	12/30/2010
17	DS	4x4 downspout	12/30/2010
18	DSE	Downspout adj elbow	12/30/2010
19	DSSTR	Downspout strap	12/8/2011
20	DTC_R	Door-track cover, round	12/30/2010
21	DTCC	Cannonball Door Track Cover	3/19/2015
22	DTCN	National track cover	12/30/2010
23	DTCN1	National track cover ver2	5/6/2011
24	DTCNTM	National track cover TOP MOUNT	2/27/2012
25	DTCSM	ComboTrack-SideMount	2/27/2012
26	DTCTM	ComboTrack-TopMount	12/30/2010
27	END	Endwall	12/30/2010
28	FAS	Facia	12/30/2010
29	GAB_W	GableTrim AG Wide	12/27/2010
30	GAB_R	GableTrim R	12/30/2010
31	GAB	GableTrim AG	12/30/2010
32	GCB	Gable Corner Box	3/19/2015
33	GUTTER_W/_SCREEN	Gutter w/ Screen	1/29/2016
34	GUTTER_SCREEN	Gutter Screen	1/29/2016
35	GS_AG	Gutter straps AG	12/30/2010
36	GS_R	Gutter straps R	12/30/2010
37	GUTA_1-3LF	Inside gutter A	12/30/2010
38	GUTA_1-3LF	Outside gutter A	12/30/2010
39	GUTAFL_1-3LF	Inside gutter A flange	3/19/2015
40	GUTAFL_1-3LF	Outside gutter A flange	3/19/2015
41	GUTB_1-3LF	Inside Gutter B - AG	12/30/2010
42	GUTB_1-3LF	Inside Gutter B - R	12/30/2010

# Trim Book Revision Log:

4/4/2017

<u>Book pg:</u>	<u>Page GP Code:</u>	<u>Description:</u>	<u>Revision Date:</u>
43	GUTB_1-3LF	Outside Gutter B - AG	12/30/2010
44	GUTBAG_1-2LF	Outside Gutter B - AG	4/17/2012
45	GUTBR_1-2LF	Outside gutter B - R	4/17/2012
46	GUTBXA_1-3LF	Inside Box Gutter A	12/30/2010
47	GUTBXA_1-3LF	Outside Box Gutter A	12/30/2010
48	GUTBXAR_1-2LF	Outside Box Gutter A-R	4/30/2014
49	GUTBXC_1-3LF	Inside Box Gutter C	12/30/2010
50	GUTBXC_1-3LF	Outside Box Gutter C	12/30/2010
51	GUTC_1-3LF	Inside Gutter C - R	12/30/2010
52	GUTC_1-3LF	Outside Gutter C - R	12/30/2010
53	GUTCAP	Sculptured Rake Trim Endcap	3/19/2015
54	GUTCAP	Box Gutter A Endcap	12/30/2010
55	GUTCAP	Sculptured gutter A endcap	12/30/2010
56	GUTSH_1-2LF	Outside shadow gutter R	3/19/2015
57	GUTSH_1-2LF	Inside shadow gutter-R	3/19/2015
58	GUTSHAG_1-2LF	Inside shadow gutter AG	3/19/2015
59	GUTSHAG_1-2LF	Outside shadow gutter AG	3/19/2015
60	IC	Inside Corner AG	12/30/2010
61	IC_M	Inside Corner Mini	12/30/2010
62	IC_R	Inside Corner R	12/30/2010
63	INSPPPWHLF	Insulated Peak Pan	10/8/2013
64	INSRPPWHLF	Insulated Ridge Pan	3/19/2015
65	J_R	Header trim R	12/30/2010
66	J_R	Jamb trim R	12/30/2010
67	J-HEADER	J-header trim AG	12/30/2010
68	J-JAMB	J-jamb trim AG	12/30/2010
69	OHD	Overhead door trim AG	12/30/2010
70	OHD_R	Overhead door trim R	12/30/2010
71	OHD_W	Wide overhead door AG	3/19/2015
72	OHJ_3	Overhead door AG Kit	12/30/2010
73	PP	Peak plate	3/19/2015
74	RAC_M	RakeCorner Mini AG	12/30/2010
75	RAC_R	RakeCorner R	12/30/2010
76	RAC	RakeCorner AG	12/30/2010
77	RAT_R	Rat Guard R	12/30/2010
78	RAT	Rat Guard AG	12/30/2010
79	RIC_SS	Sunsky skylight ridgecap	3/19/2015
80	RIC_W	Ridgecap	3/19/2015
81	RIC	Ridge cap 135	3/19/2015
82	SA_15	Single angle 15	12/30/2010
83	SA_22	Single angle 2	12/30/2010
84	SA_33	Single angle 3	12/30/2010
85	SA_35	Single angle 15-35	12/30/2010

# Trim Book Revision Log:

4/4/2017

<u>Book pg:</u>	<u>Page GP Code:</u>	<u>Description:</u>	<u>Revision Date:</u>
86	SA_55	Single angle 15-55	12/30/2010
87	SA_75	Single angle 15-75	12/30/2010
88	SHE_LF	Shadow eave trim	3/19/2015
89	SHHE_LF	Shadow High Eave Half-Ridge Trim	4/3/2017
90	SHR_LF	Shadow rake trim	3/19/2015
91	SKYPWH_LF	Skylight trim	3/1/2011
92	SOF_12	Standing soffit	3/19/2015
93	SOFFAS_LF	Soffit fascia	3/19/2015
94	SOFRAC_LF	Soffit rake	3/19/2015
95	SPB	Sculptured peak box	3/19/2015
96	SPB	Shadow peak box	3/19/2015
97	SRT	Sculptured rake trim	3/19/2015
98	SWL_R	Sidewall flashing R	12/30/2010
99	SWL	Sidewall flashing AG	12/30/2010
100	VAL	Valley Liner	2/2/2015
101	VAL_COP	Valley for 3' copper flat sheet	2/2/2015
102	VC	Valley Cover	3/19/2015
103	WDR_R	Drip Cap R	12/30/2010
104	WDR	Drip Cap AG	12/30/2010
105	ZCH_SM-LG	Collector Head	4/29/2014
106	ZCOP	Change of Pitch	3/19/2015
107	ZDR	Drip Metal	12/30/2010
108	ZDRSP	Drip Metal, Steep Pitch	12/30/2010
109	ZDS	4x4 downspout	12/30/2010
110	ZES1CLEEDG4	ES1 4.0 Cleat	4/29/2014
111	ZES1CLEEDG6	ES1 6.0 Cleat	4/29/2014
112	ZES1EDG_4	ES1 4.0 Facia	4/29/2014
113	ZES1EDG_6	ES1 6.0 Facia	4/29/2014
114	ZGS	Gutter Straps	12/30/2010
115	ZGSANG	Single angle gutter strap	12/30/2010
116	ZGUTSCR0326	Perforated Gutter Screen	3/13/2015
117	ZGUTSCR	Perforated Screen Gutter	3/13/2015
118	ZHR16CLGAL24	HR16 Panel Starter Cleat	4/29/2014
119	ZJCC	Rake J Clip 1.5"	12/30/2010
120	ZJCNS	Rake J Clip 1"	4/29/2014
121	ZJCZ	Rake J Clip 2"	12/30/2010
122	ZRAC	Rake metal flat face 1.5"	4/21/2011
123	ZRANS	Rake metal flat face 1"	6/29/2012
124	ZRAZ	Rake metal flat face 2"	12/30/2010
125	ZRIC_12	Ridge Cap 12"	3/19/2015
126	ZRIC_16	Ridge Cap 16"	3/19/2015
127	ZRIC_16V	Ridge Cap 16" for vented Z-closure	3/28/2016
128	ZRIC_16EX	Ridge Cap Wide 16"	3/19/2015

# Trim Book Revision Log:

4/4/2017

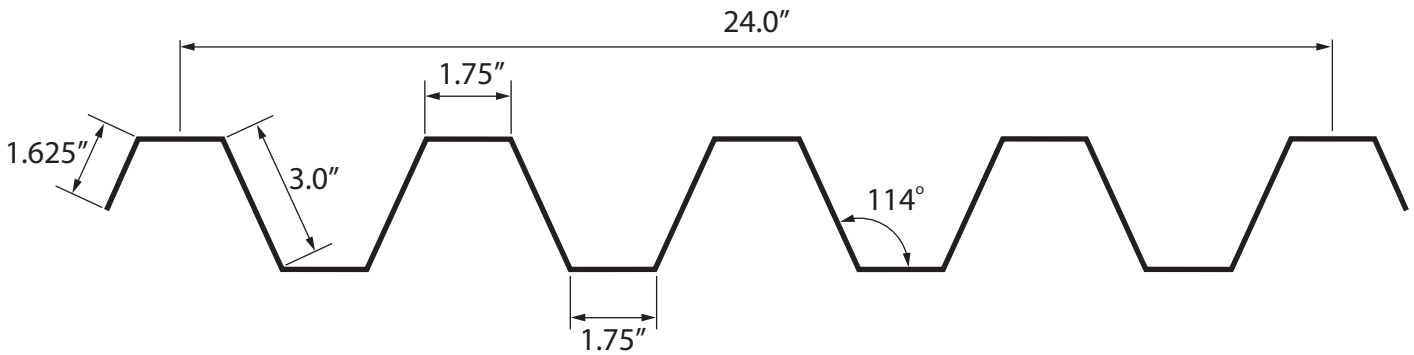
<u>Book pg:</u>	<u>Page GP Code:</u>	<u>Description:</u>	<u>Revision Date:</u>
129	ZRIC_24EX	Ridge Cap Wide 24"	3/19/2015
130	ZRJCC	Ridge J Metal 1.5"	1/20/2011
131	ZRJNS	Ridge J Metal 1"	1/20/2011
132	ZRJZ	Ridge J Metal 2"	12/30/2010
133	ZRWLCOM_GAL_26	Roof-to-wall-comp	7/24/2014
134	ZRWL	Roof-to-wall	12/30/2010
135	ZSJ15	Soffit J Metal 1.5"	12/30/2010
136	ZSJ	Soffit J Metal 1"	12/30/2010
137	ZST	Soffit T Trim	8/10/2015
138	ZSWLC	Sidewall Flashing 1.5"	12/30/2010
139	ZSWLNS	Sidewall Flashing 1"	7/25/2011
140	ZSWLZ	Sidewall Flashing 2"	12/30/2010
141	ZVAL	Standard Valley, 24"	2/2/2015
142	ZVAL_26SP	Valley, 21"	2/2/2015
143	ZVAL_BE	Berridge Valley	2/2/2015
144	ZVAL_OS	Offset Valley Liner w/ Cleat	2/2/2015
145	ZVC	Valley Liner Cleat	12/30/2010
146	ZWD	Wall Panel/Soffit Drip Combo	12/30/2010
147	ZZC	Z Closure, 1.5"	11/29/2011
148	ZZC_V	Vented Z Closure, 1.5"	3/6/2013
149	ZZNS	Z Closure, 1" for Nailstrip	6/19/2015
150	ZZT	Z Closure, 1"	9/6/2013
151	ZZT_V	Vented Z Closure, 1"	9/5/2013
152	ZZZ	Z Closure, 2"	12/30/2010
153	ZZZ_V	Vented Z Closure, 2"	1/20/2011

## APPENDIX 1: COMPOSITION ROOF FLASHING

154	1-01	FLUE FRONT (FF)	4/29/2011
155	1-02	FLUE BACK (FB)	4/29/2011
156	1-03	FLUE FRONT L & R (FFL & FFR)	4/29/2011
157	1-04	FLUE BACK L & R (FBL & FBR)	4/29/2011
158	1-05	FLUE FRONT CLOSED L & R (FFLCR, FFRC)	4/29/2011
159	1-06	FLUE BACK CLOSED L & R (FBLCR, FBRCL)	4/29/2011
160	1-07	SADDLE, L OR R	4/29/2011
161	1-08	SKYLIGHT, FRONT & BACK	4/29/2011
162	1-09	STICK METAL	4/29/2011
163	1-10	RUBBER DETAILS	4/29/2011

**Awning Panel**  
**S.O.: 43"**

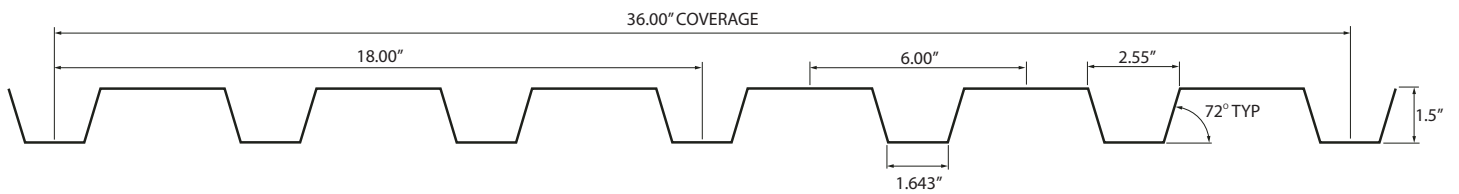
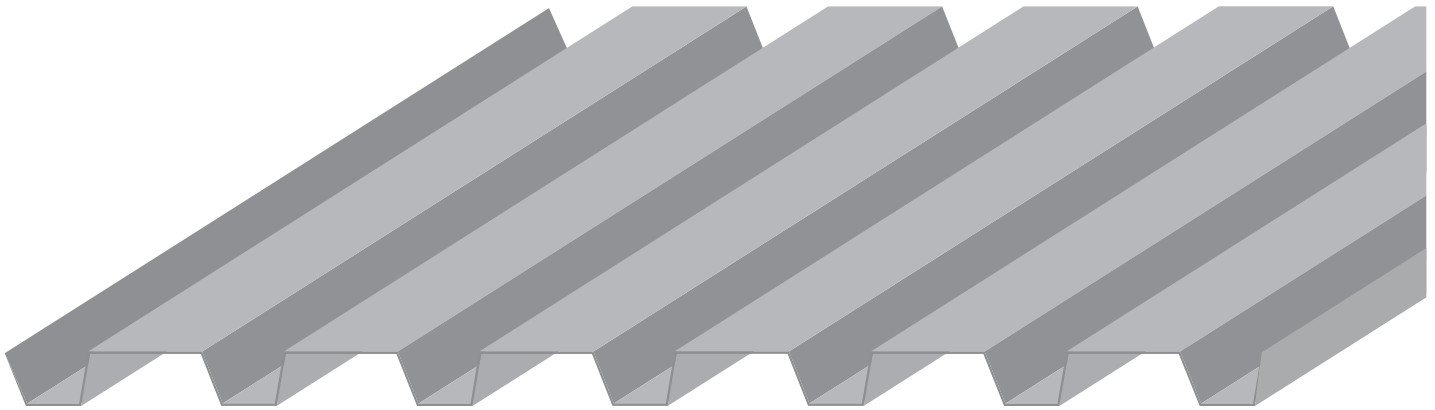
Revision Date: 4/30/2014  
Scale = 0.25:1



## "B" Deck

Revision Date: 9/23/2014

Scale = 3/16 :1



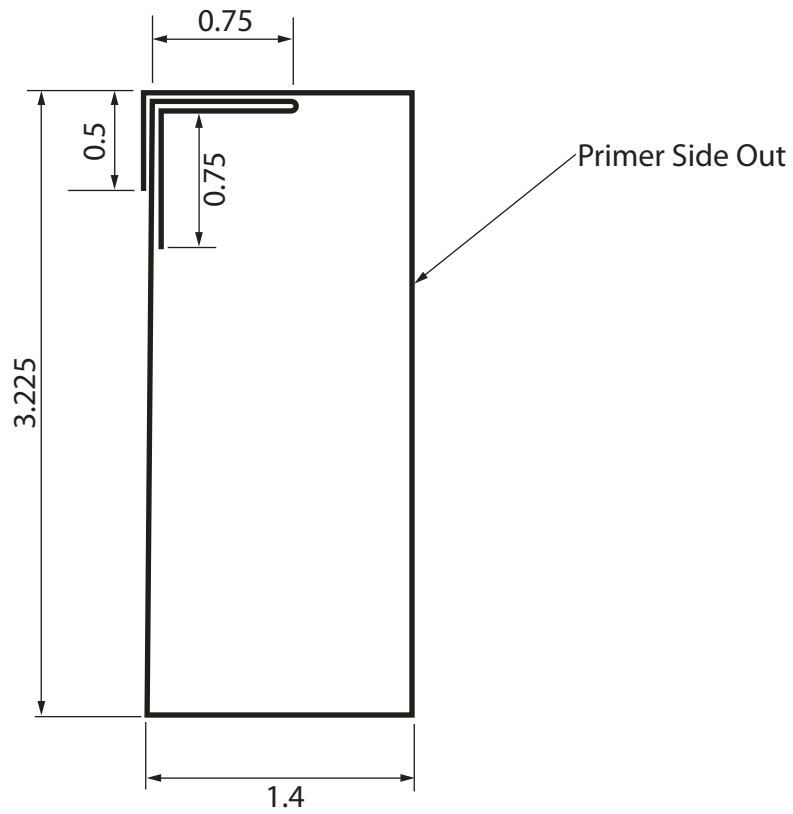
### NOTES:

1. ALL DIMENSIONS ARE TO CENTERLINE OF MATERIAL, EXCEPT THE 1.5" OVERALL HEIGHT
2. MATERIAL: 16 - 24 GA. (.060" MAX) PRIMER PAINTED STEEL OR G40 GALVANIZED STEEL

**Box Girt**  
**S.O.: 12" S.O. 24 ga.**

Revision Date: 5/22/2014

Scale = 1:1

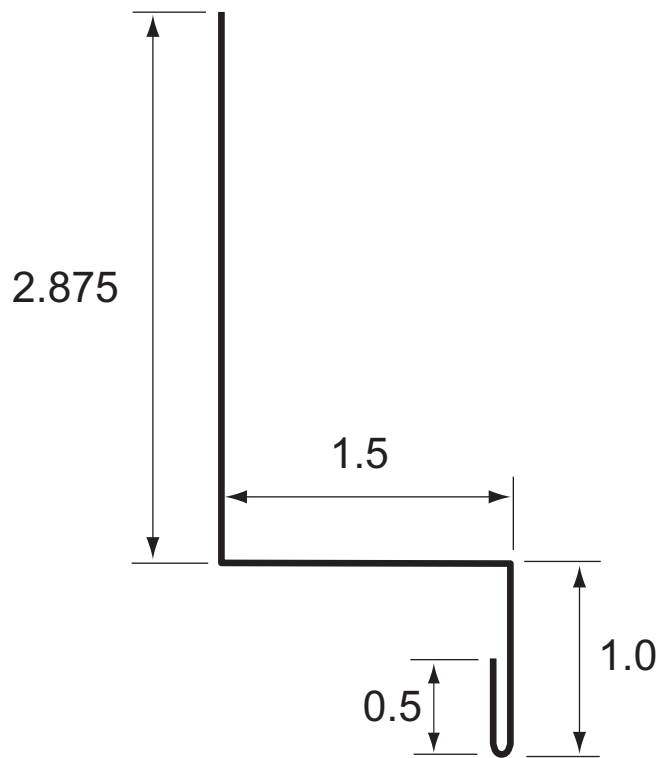


---

**Base Trim**  
**S.O.: 5.875"**

Revision Date: 12/27/2010

Scale = 1:1

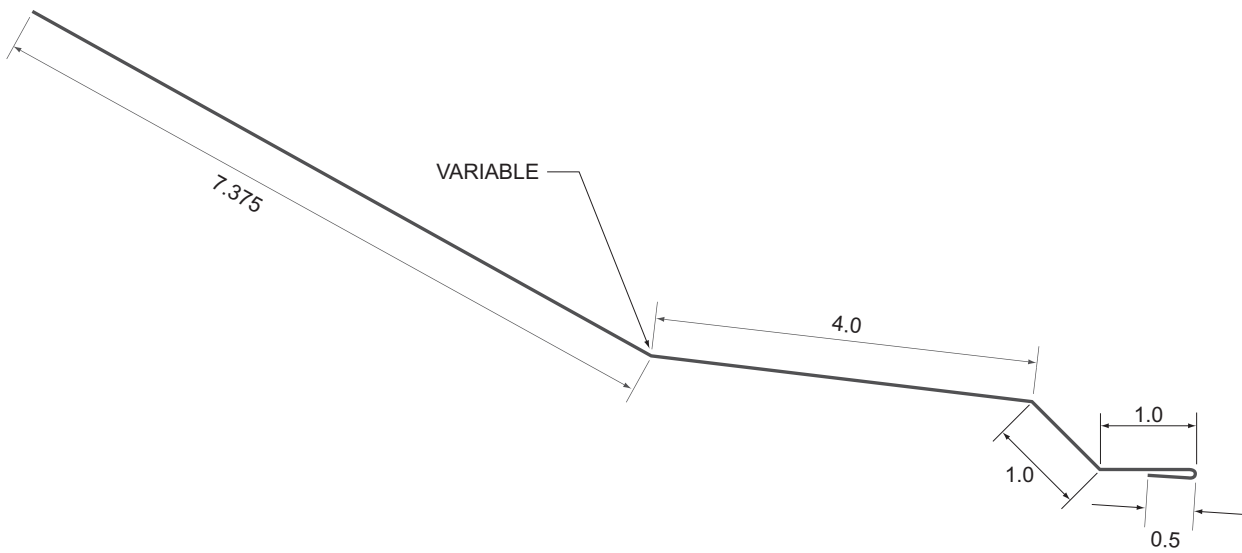




**Change of Pitch**  
**S.O.: 13.875"**

Revision Date: 12/15/2010

Scale = .5:1

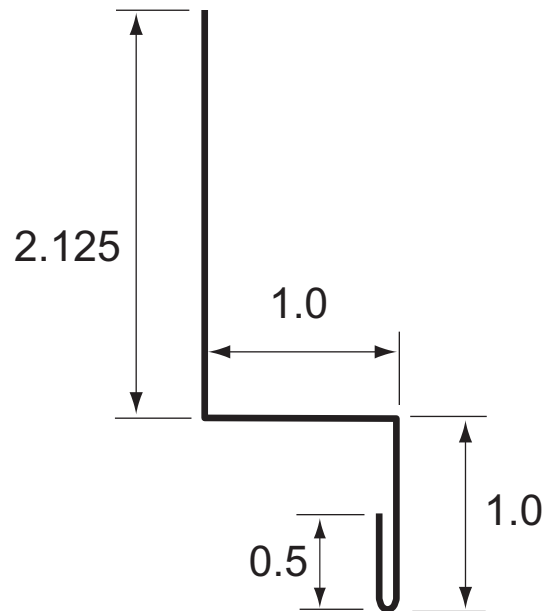


---

**Double Angle AG Panel**  
**S.O.: 4.625"**

Revision Date: 12/15/2010

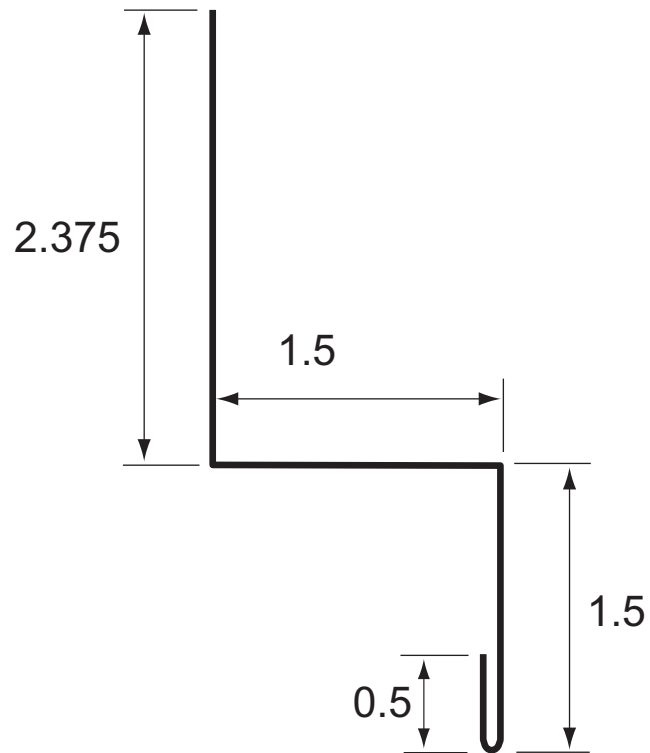
Scale = 1:1



**Double Angle R Panel**  
**S.O.: 5.875"**

Revision Date: 12/15/2010

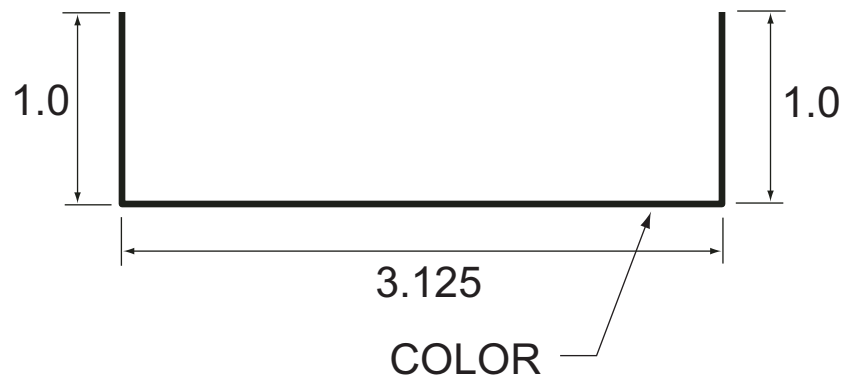
Scale = 1:1



**Jamb Cover, 3"**  
**S.O.: 5.125"**

Revision Date: 12/27/2010

Scale = 1:1

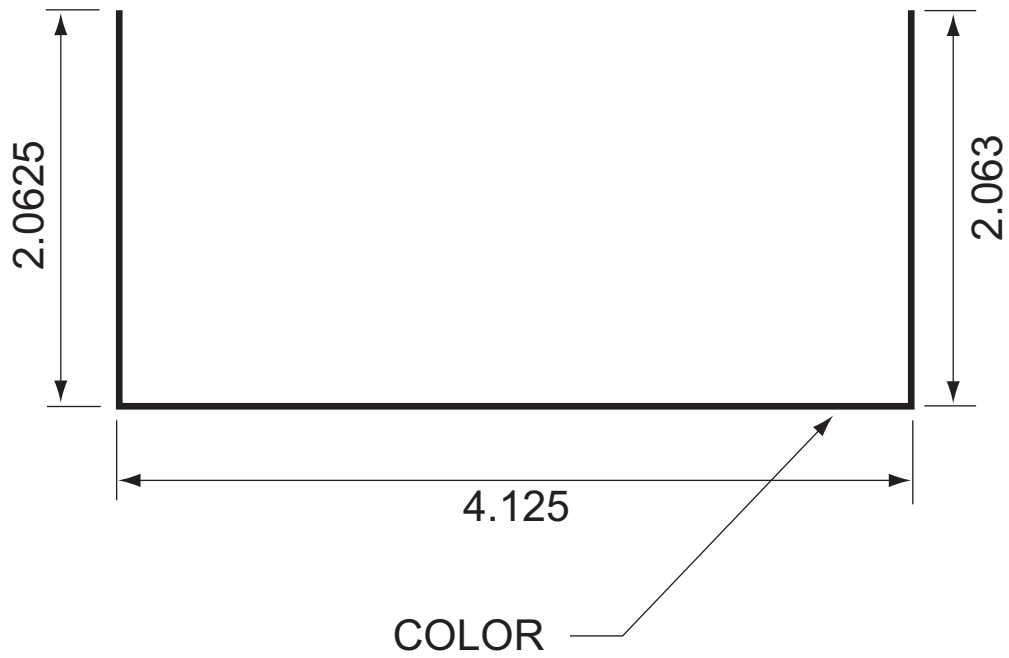


---

**Jamb Trim 4"**  
**S.O.: 8.25"**

Revision Date: 12/15/2010

Scale = 1:1



---

**Jamb Trim 8"**  
**S.O.: 13.875"**

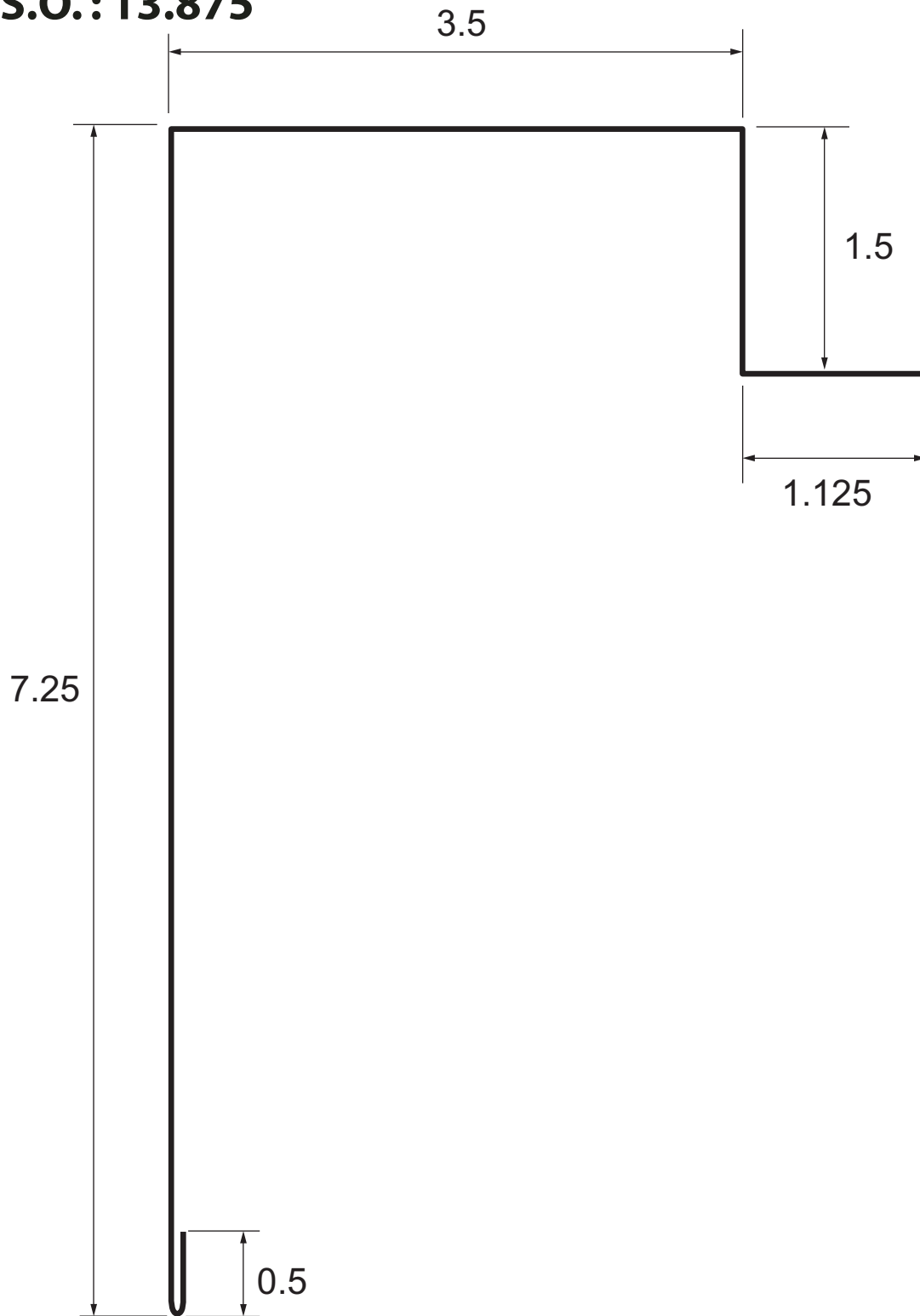
Revision Date: 12/02/2010

Scale = .75:1



**Door Post Trim**  
**S.O.: 13.875"**

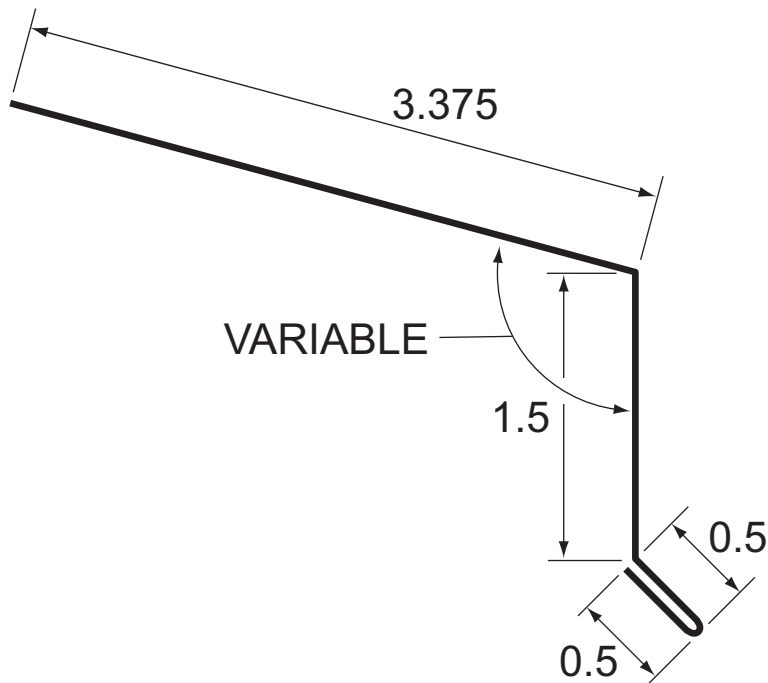
Revision Date: 12/27/2010  
Scale = 1:1



**Drip Metal**  
**S.O.: 5.875"**

Revision Date: 12/15/2010

Scale = 1:1

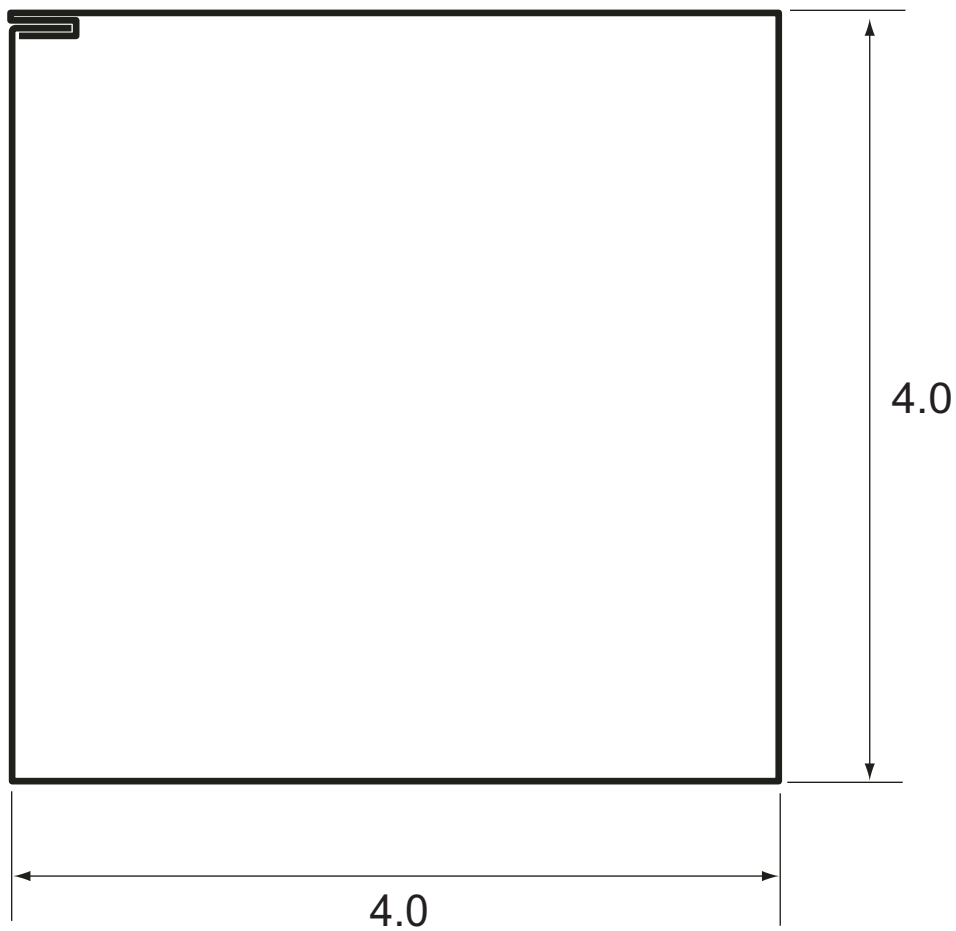




---

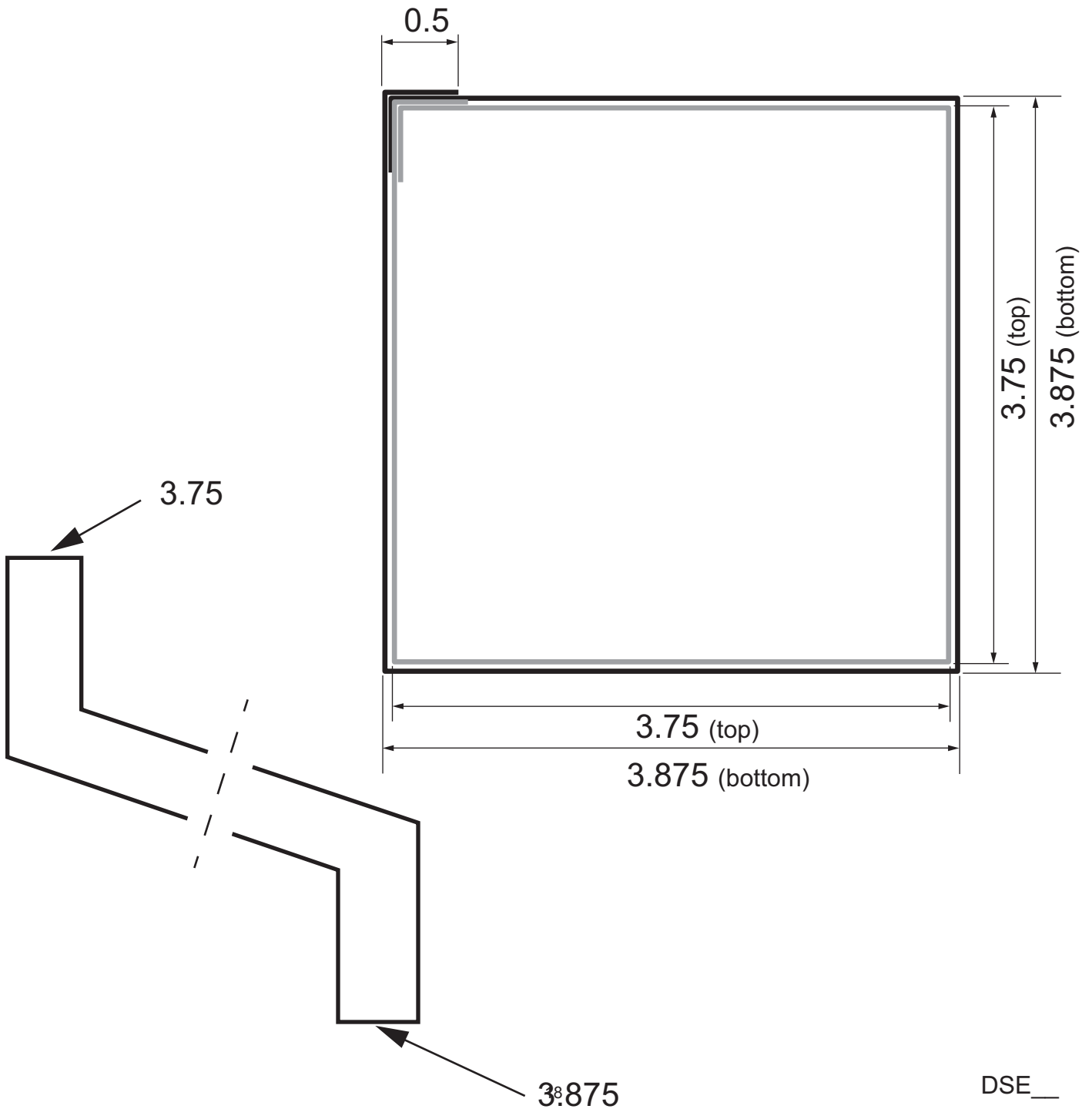
**4 x 4 Downspout**  
**S.O.: 17.875" 26 ga.**

Revision Date: 12/27/2010  
Scale = 1:1



**Downspout -  
Adjustable Offset Elbow  
S.O.: 16.5" Bottom,  
S.O.: 16.0" Top**

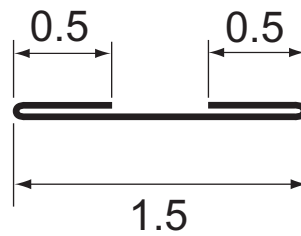
Revision Date: 12/27/2010  
Scale = 1:1



---

**Downspout Straps**  
**S.O.: 2.5"**

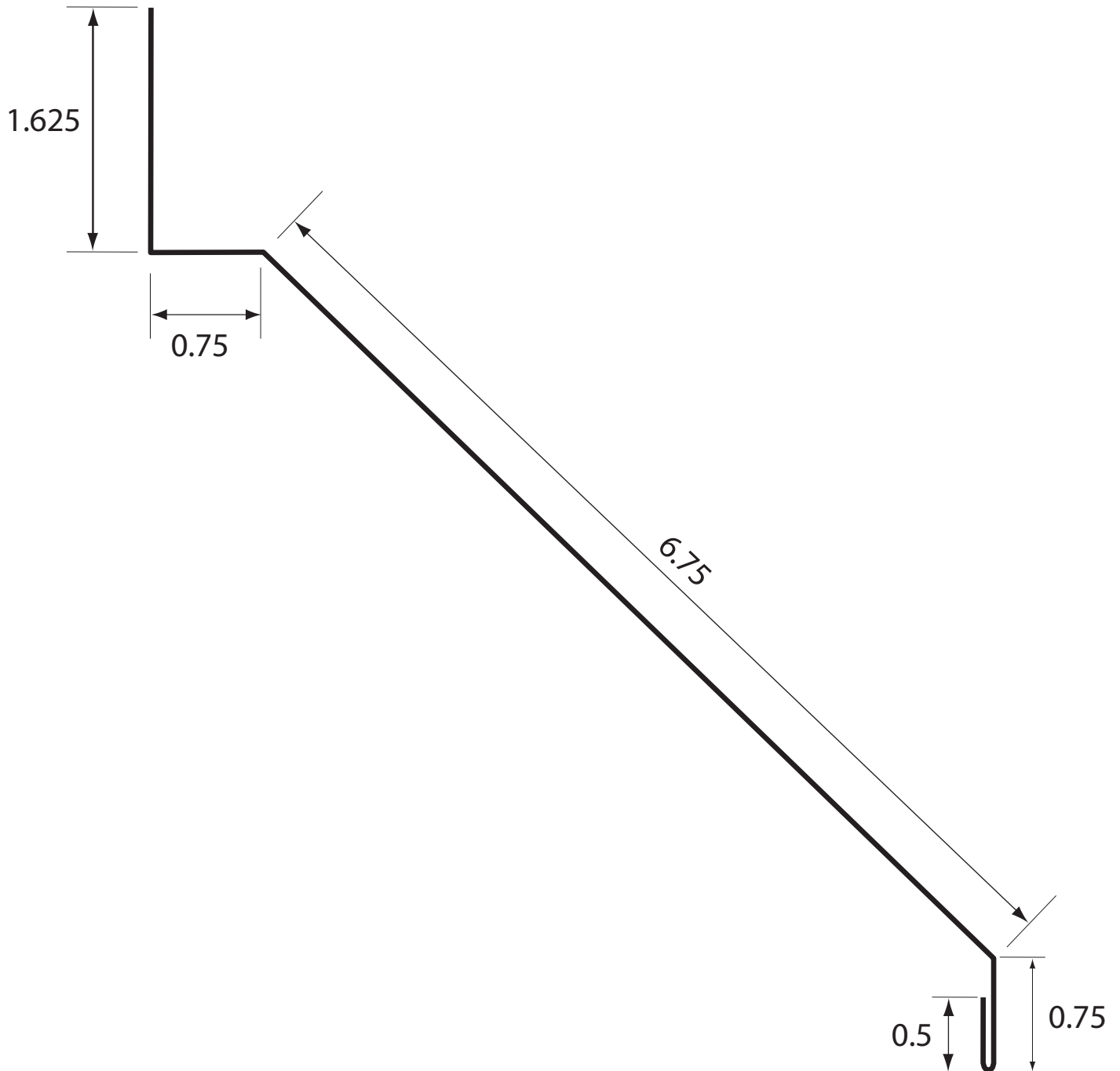
Revision Date: 12/08/2011  
Scale = 1:1



16" LONG

**Door & Track Cover, Round**  
**S.O.: 10.375"**

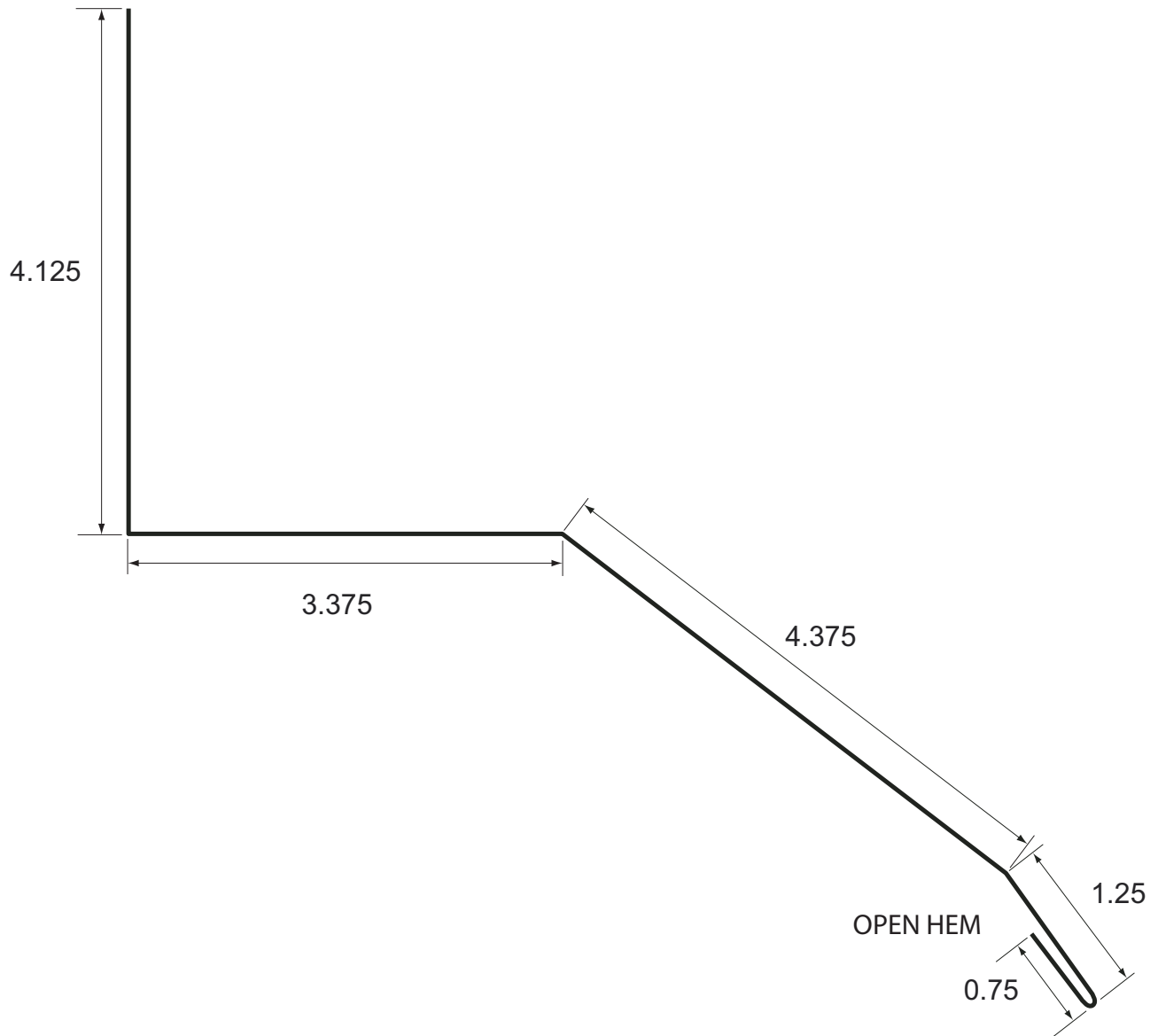
Revision Date: 1/11/2010  
Scale = 1:1



**Cannonball Door Track Cover**  
**S.O.: 13.875"**

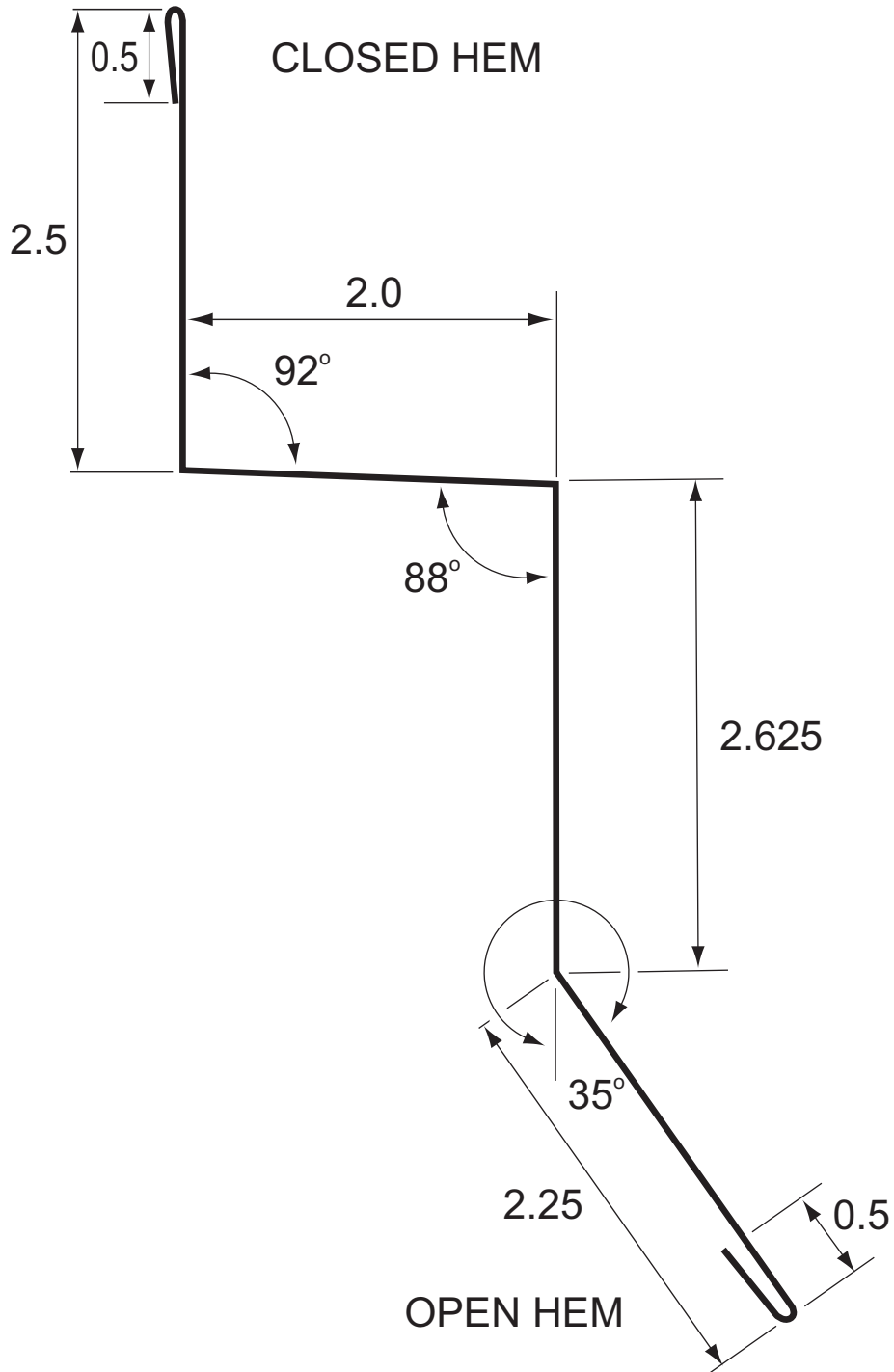
Revision Date: 4/20/2011

Scale = .75:1



Revision Date: 12/27/2010  
Scale = 1:1

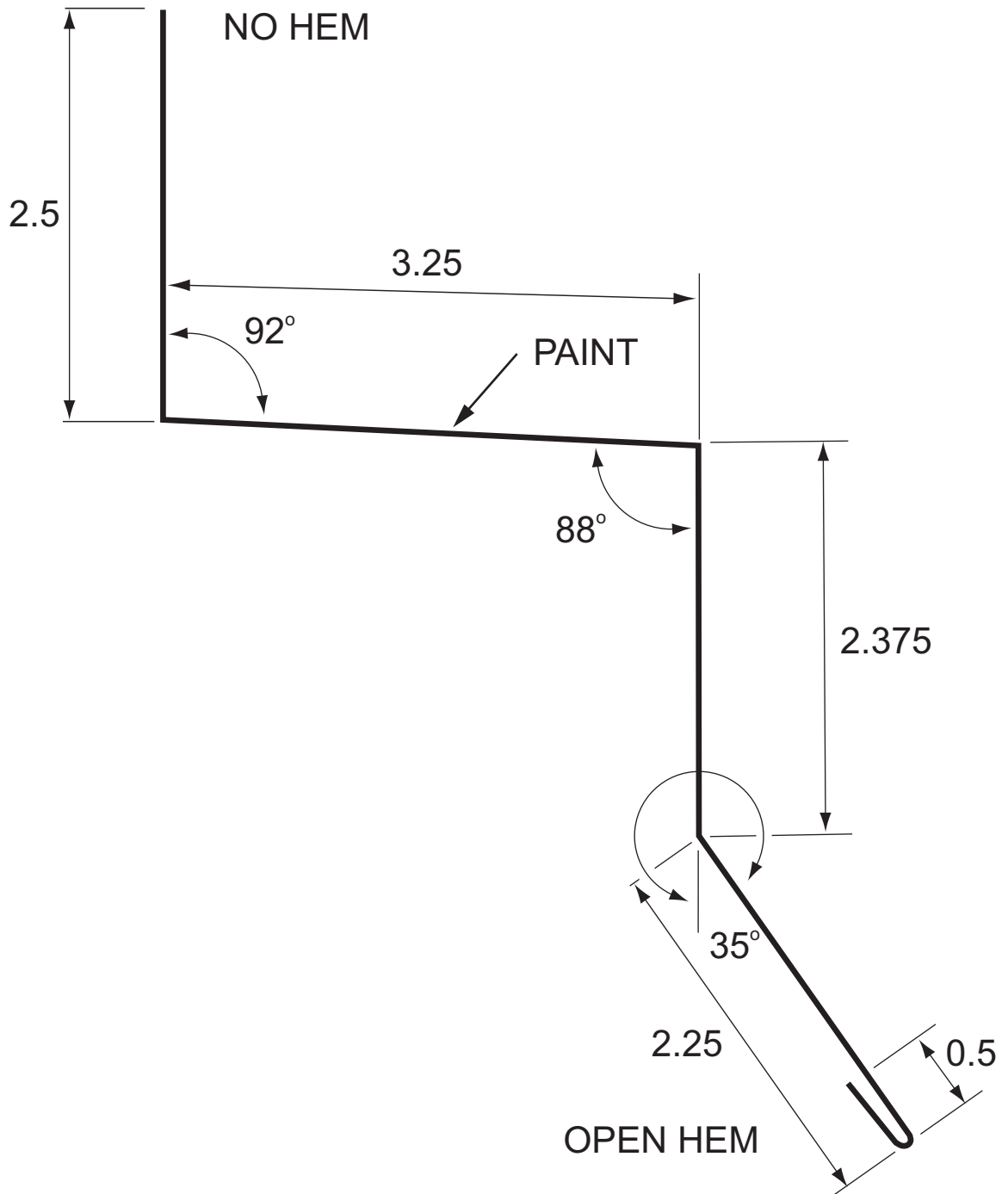
**National Track**  
**S.O.: 10.375"**



Revision Date: 5/05/2011

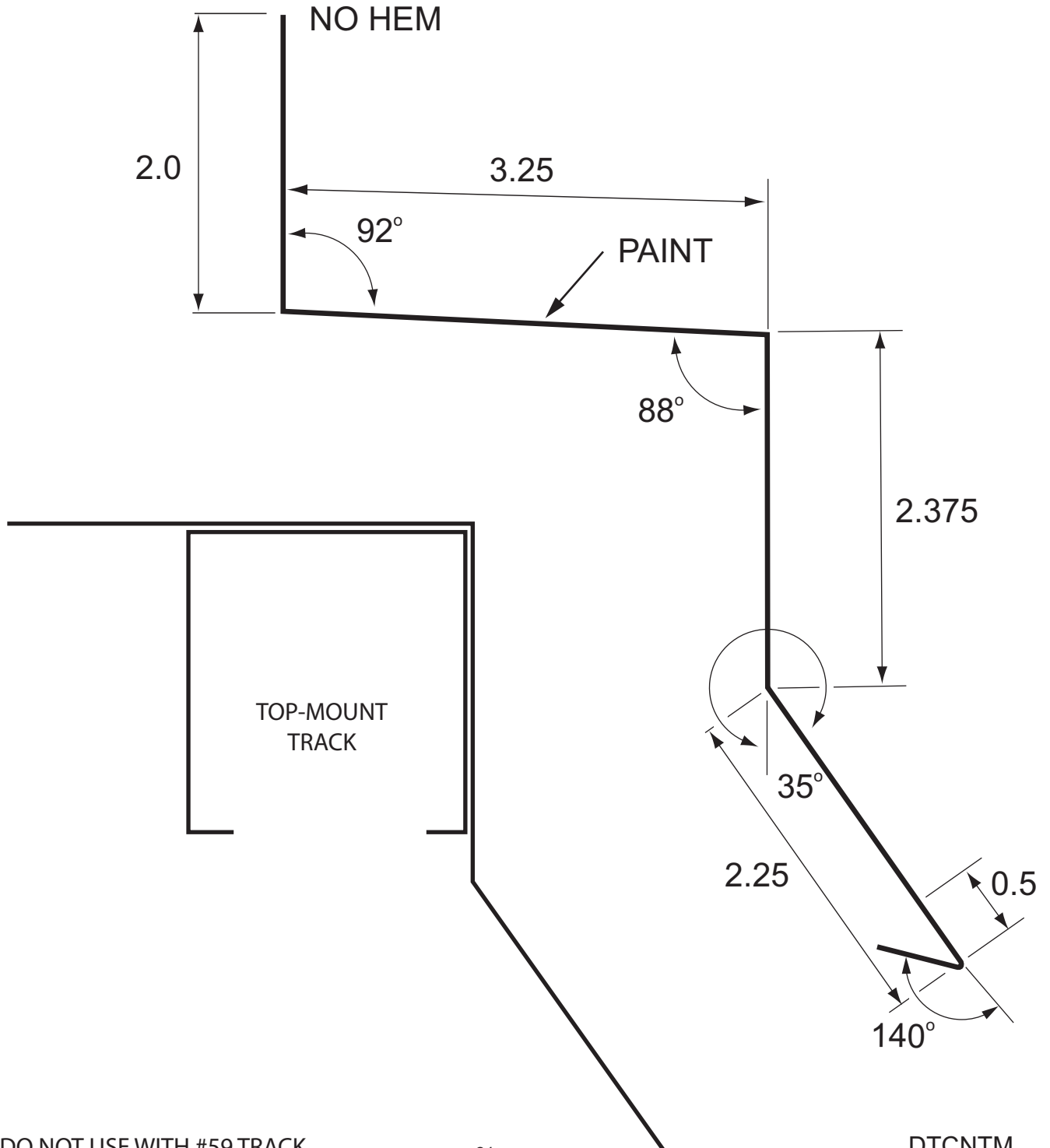
Scale = 1:1

**National Track, ver. 2**  
**S.O.: 10.875"**



Revision Date: 2/27/2012  
Scale = 1:1

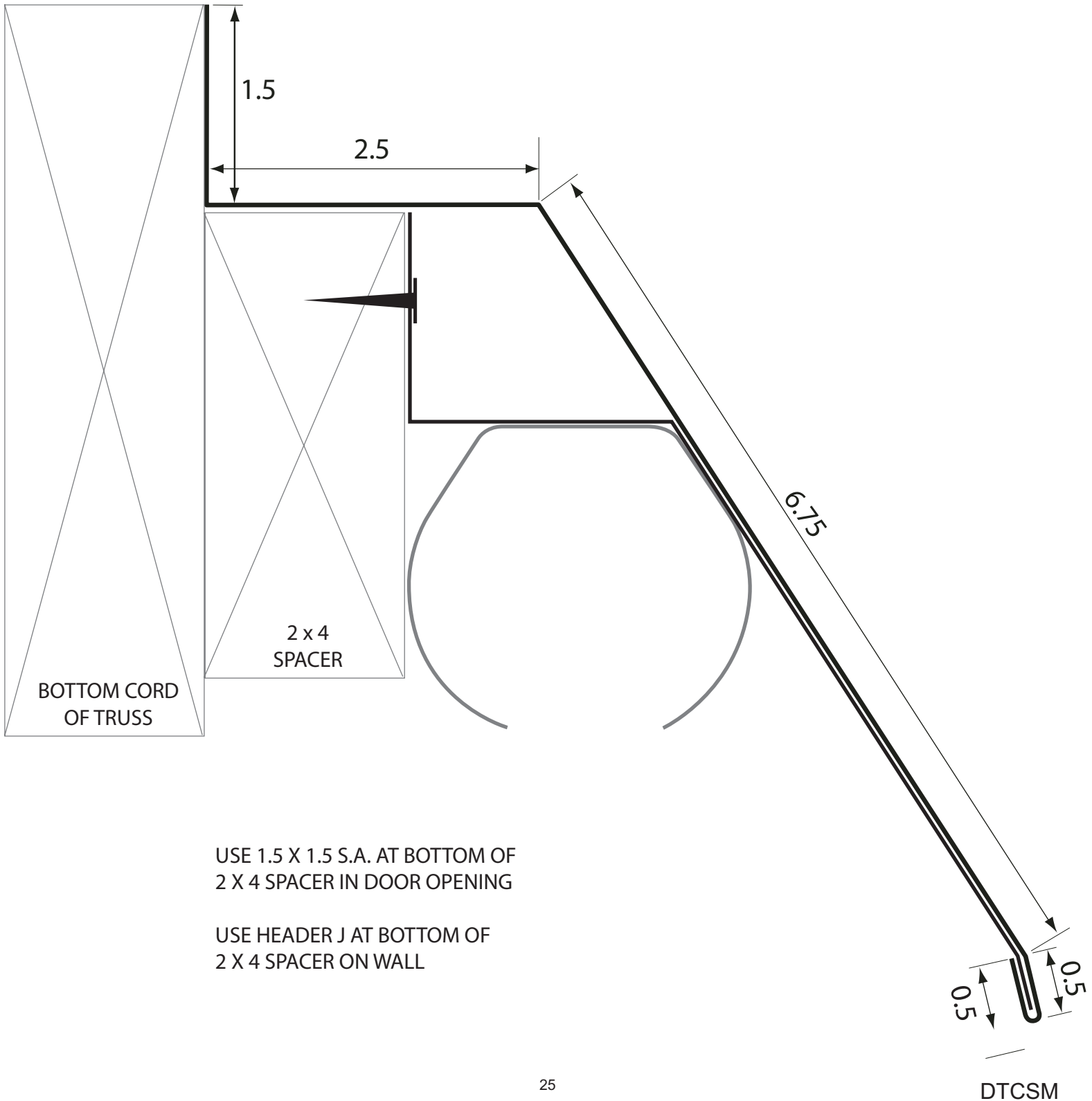
# National Track Top Mount S.O.: 10.375"





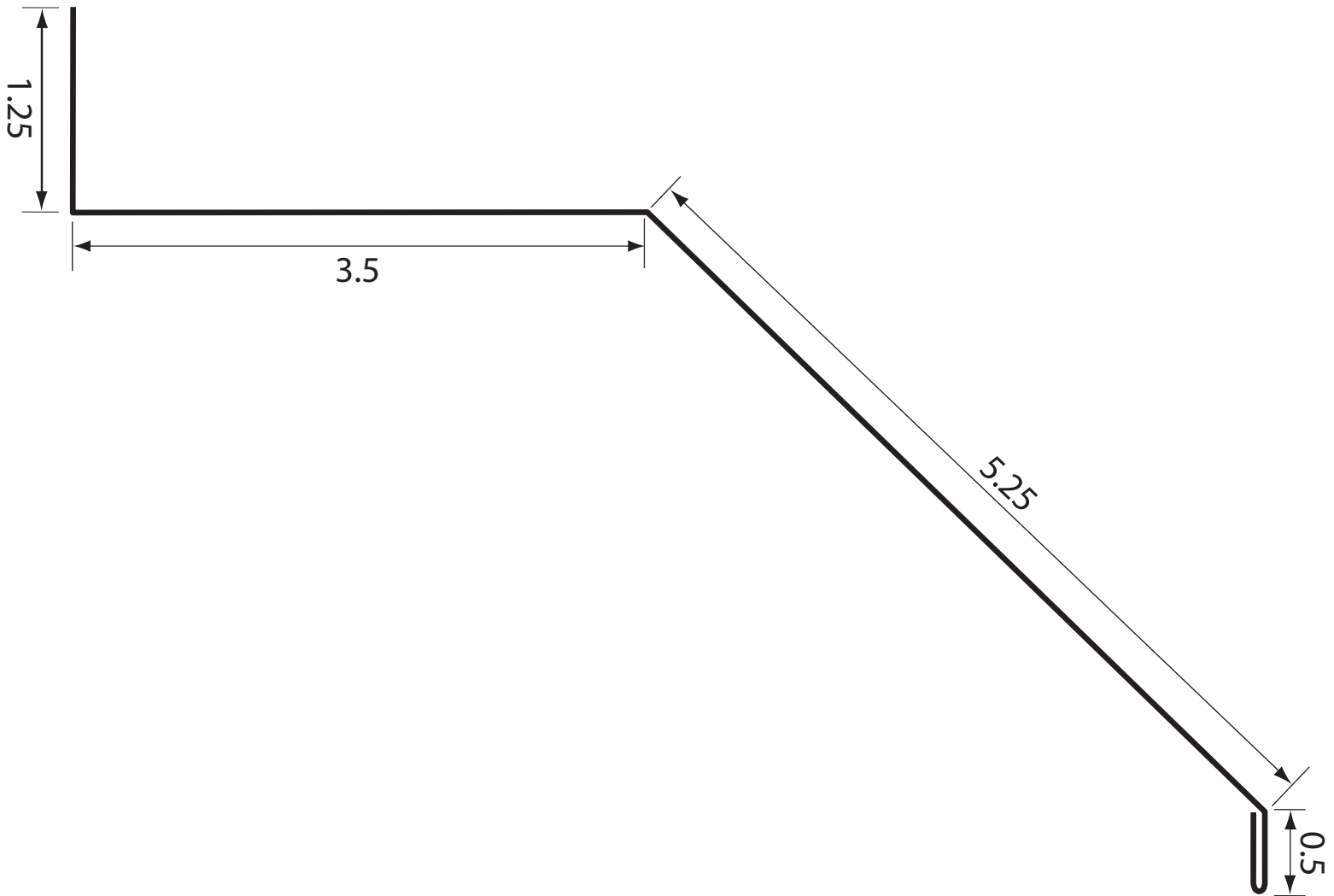
**Combo Track Side Mount**  
**S.O.: 11.75"**

Revision Date: 2/27/2012  
Scale = 1:1



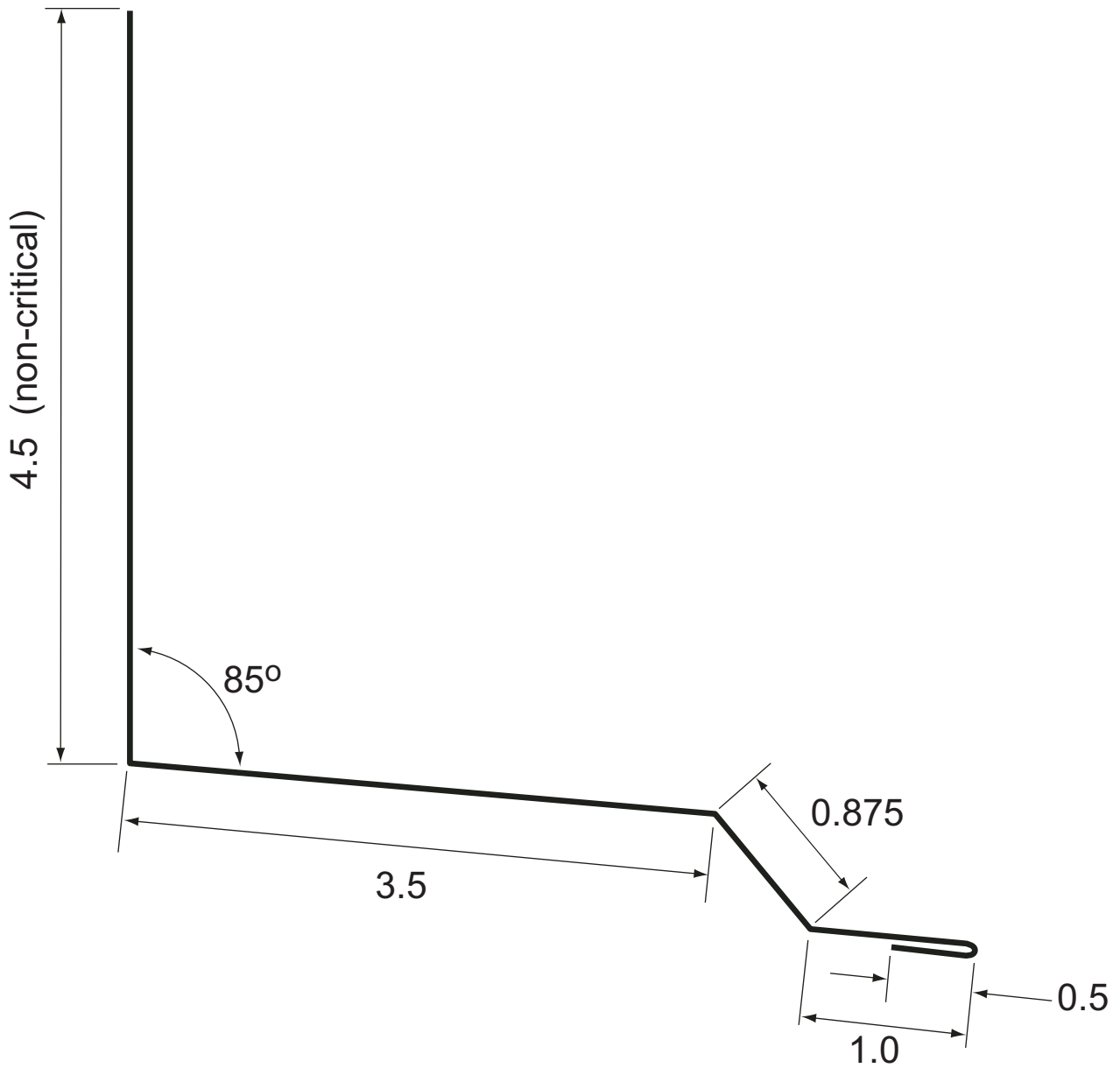
**Combo Track Top Mount**  
**S.O.: 11.0"**

Revision Date: 1/11/2010  
Scale = 1:1



**Endwall (Roof to Wall)**  
**S.O.: 10.375"**  
all unlisted angles 45°

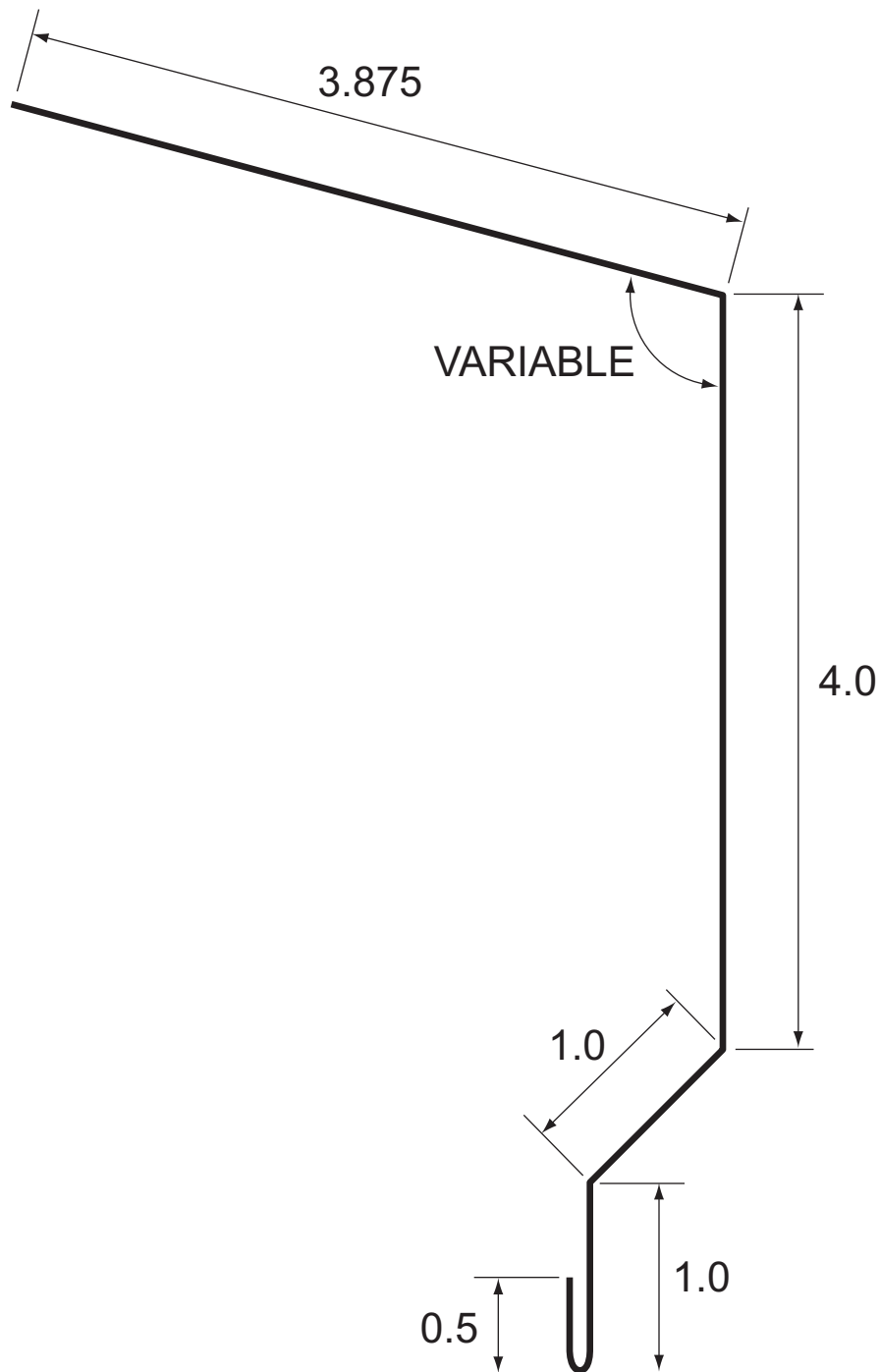
Revision Date: 3/31/2010  
Scale = 1:1



**Facia**  
**S.O.: 10.375"**

Revision Date: 12/02/2010

Scale = 1:1



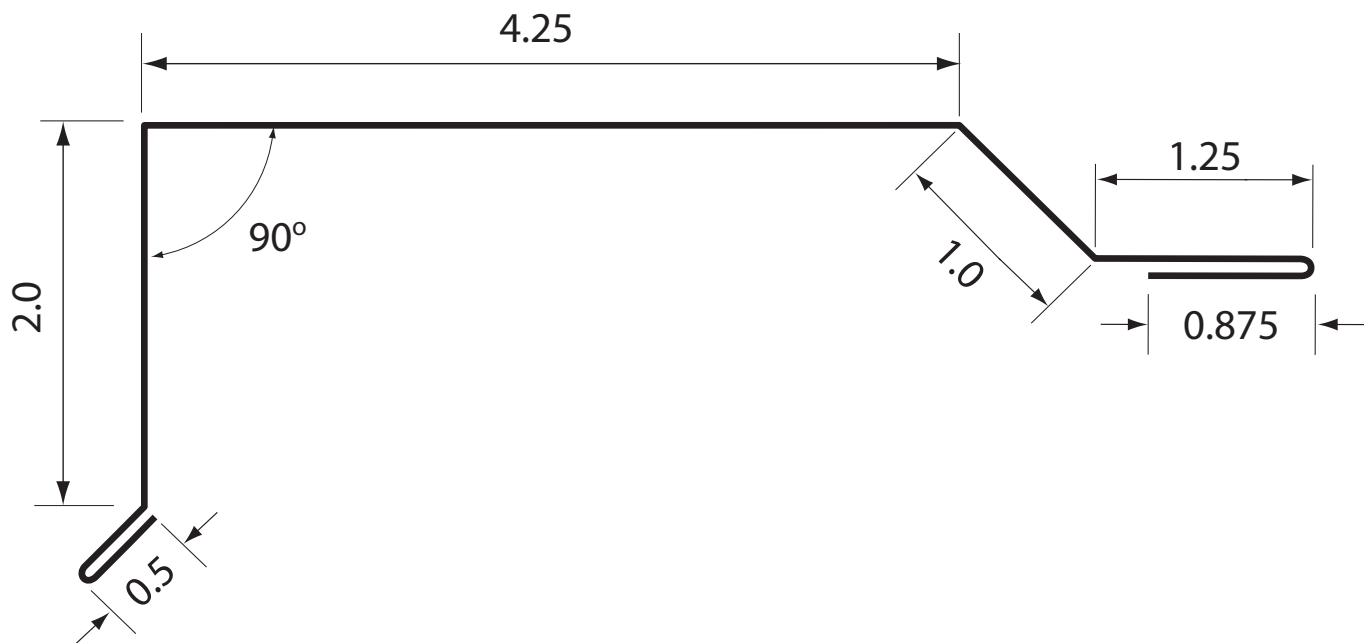
## Wide Gable Trim, AG Panel

S.O.: 10.375"

all unlisted angles 45°

Revision Date: 12/27/2010

Scale = 1:1



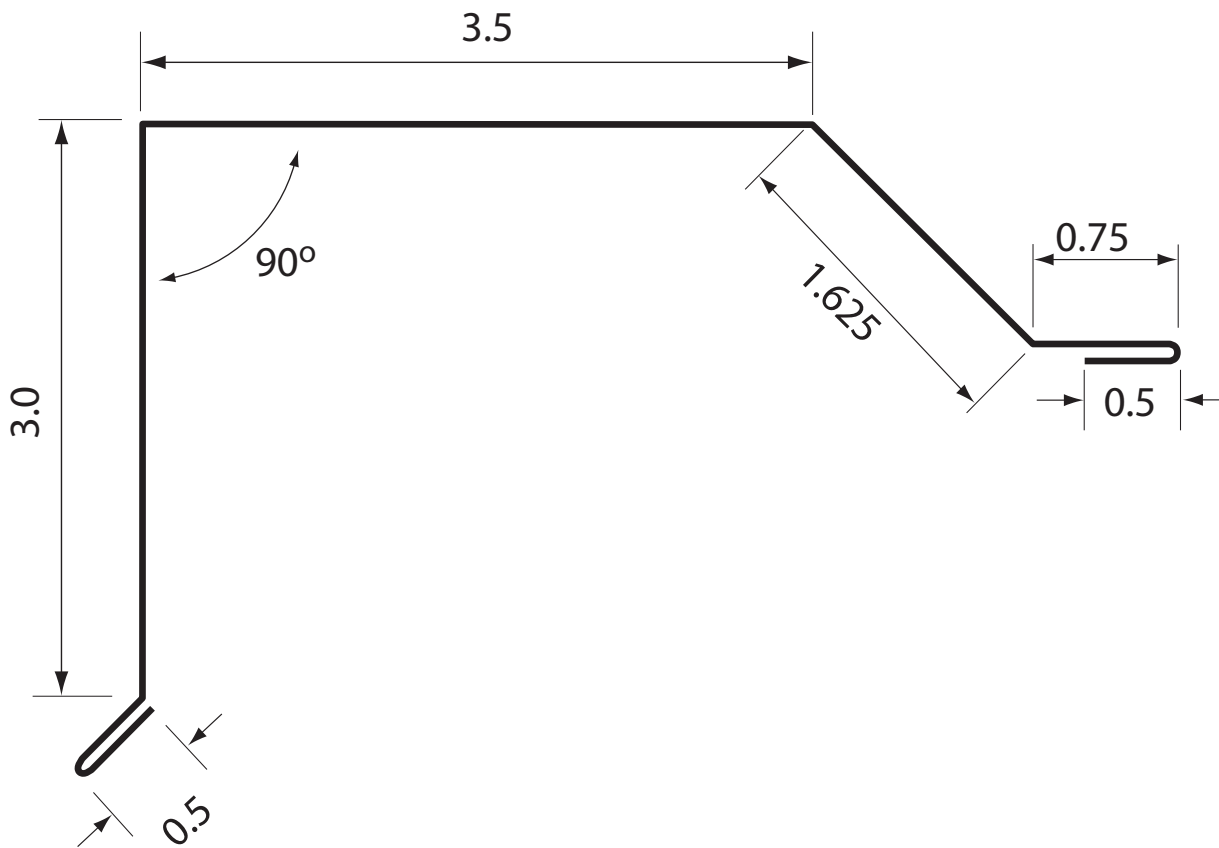
## Gable Trim, R Panel

S.O.: 10.375"

all unlisted angles 45°

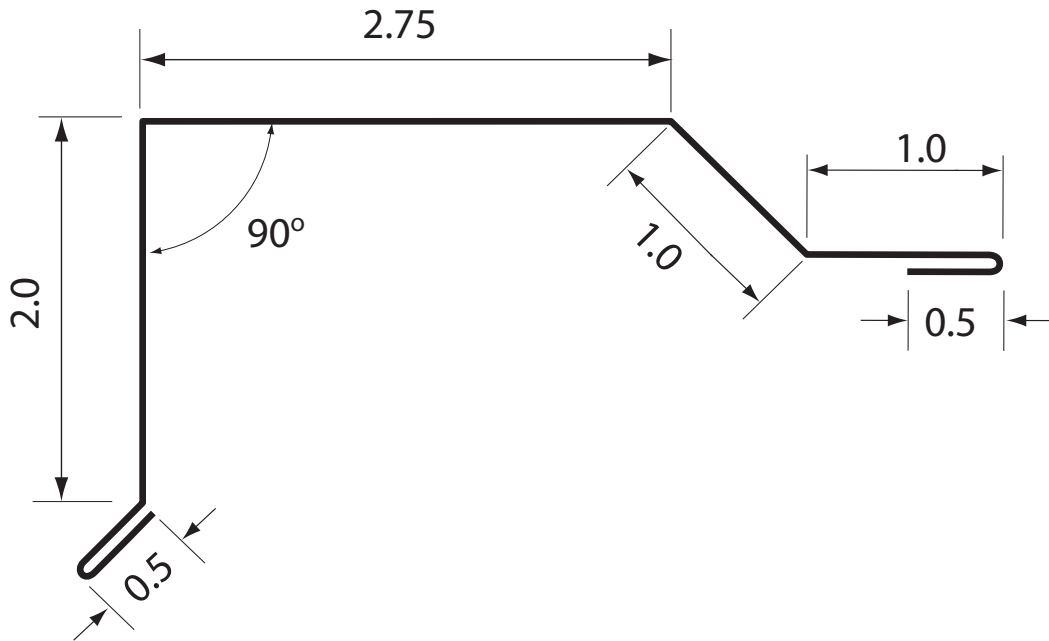
Revision Date: 12/15/2010

Scale = 1:1



**Gable Trim, AG Panel**  
**S.O.: 8.25"**  
all unlisted angles 45°

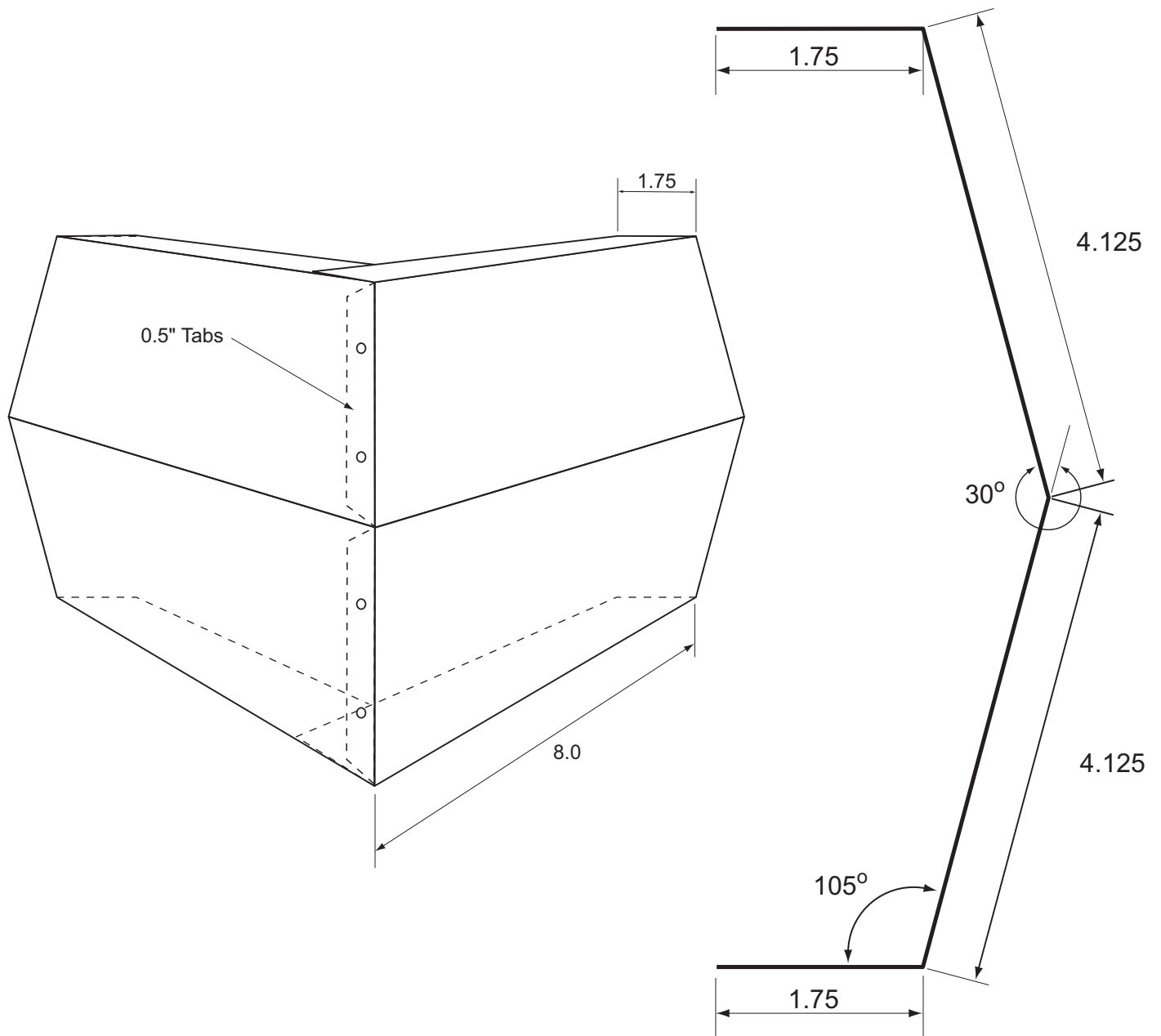
Revision Date: 12/15/2010  
Scale = 1:1



**Gable Corner Box**  
**S.O.: 11.75"**

Revision Date: 10/18/2009

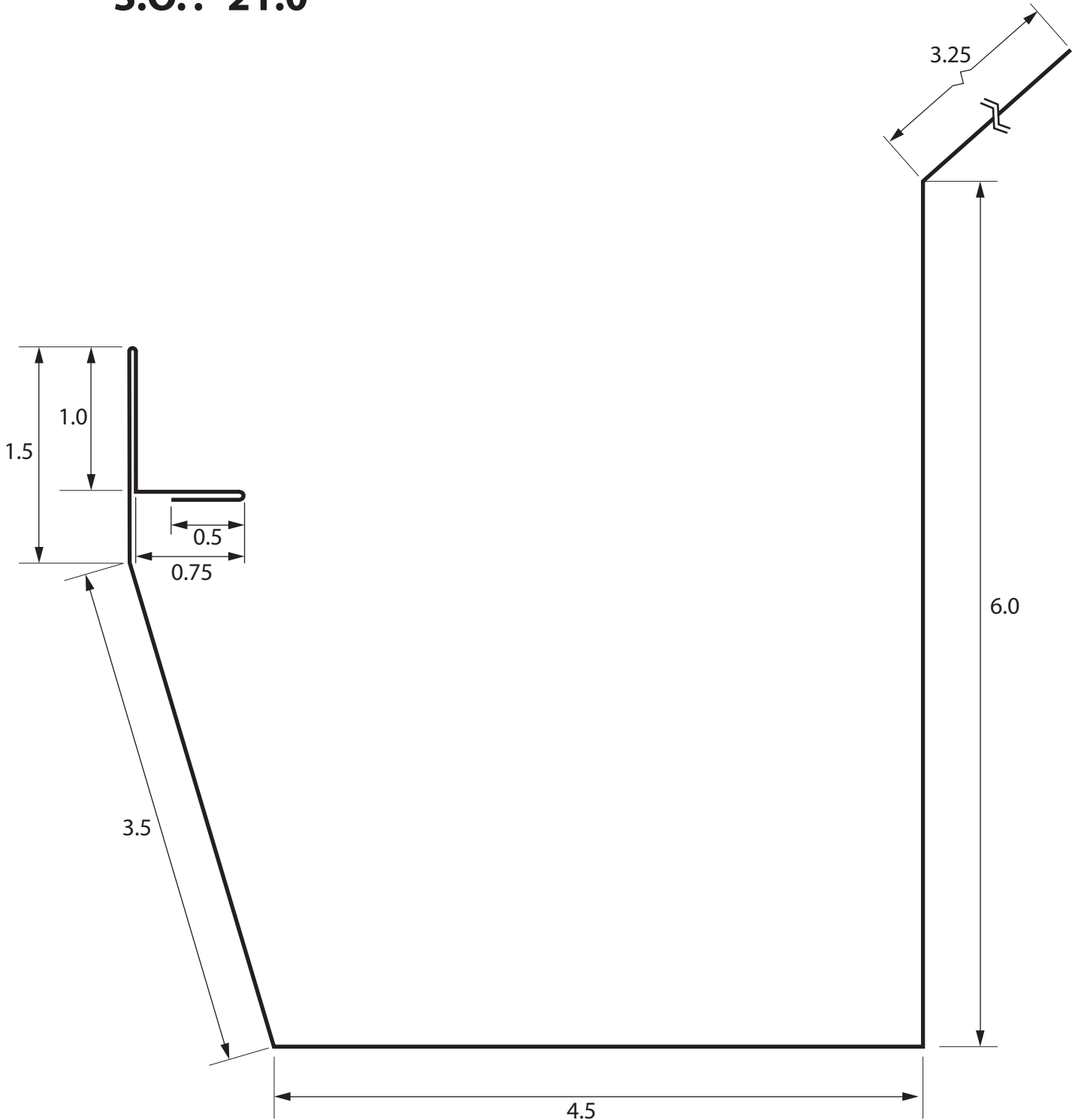
Scale = .75:1





**Gutter w/ Screen**  
**S.O.: 21.0"**

Revision Date: 2/29/2016  
Scale = 1:1

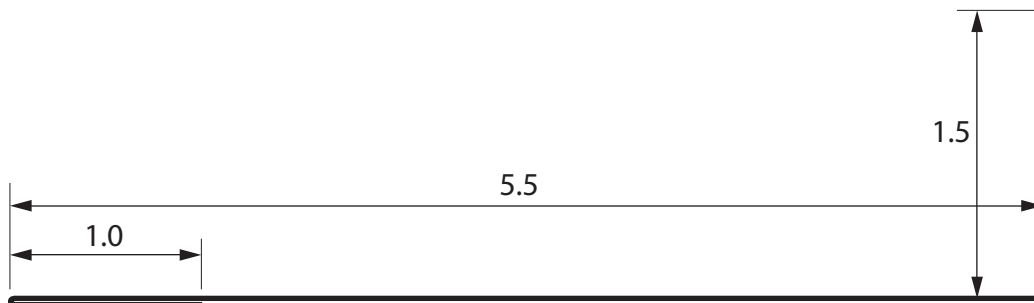


---

**Gutter Screen**  
**S.O.: 8.0"**  
**.032 Perforated Aluminum**

Revision Date: 2/29/2016

Scale = 1:1

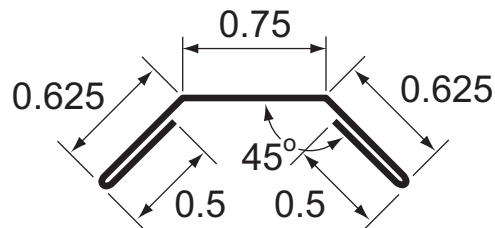


---

**Gutter Straps AG Panel**  
**S.O.: 3.0" Length: 8.0**

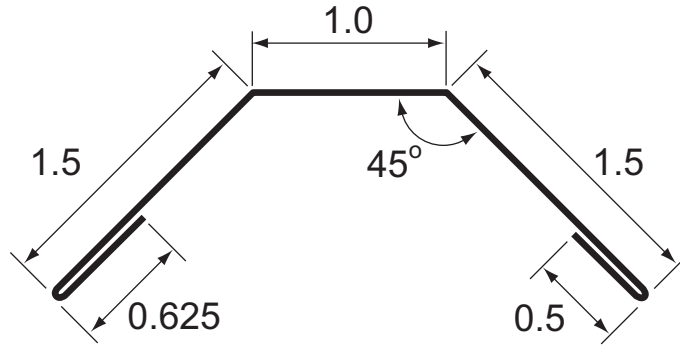
Revision Date: 3/17/2010

Scale = 1:1



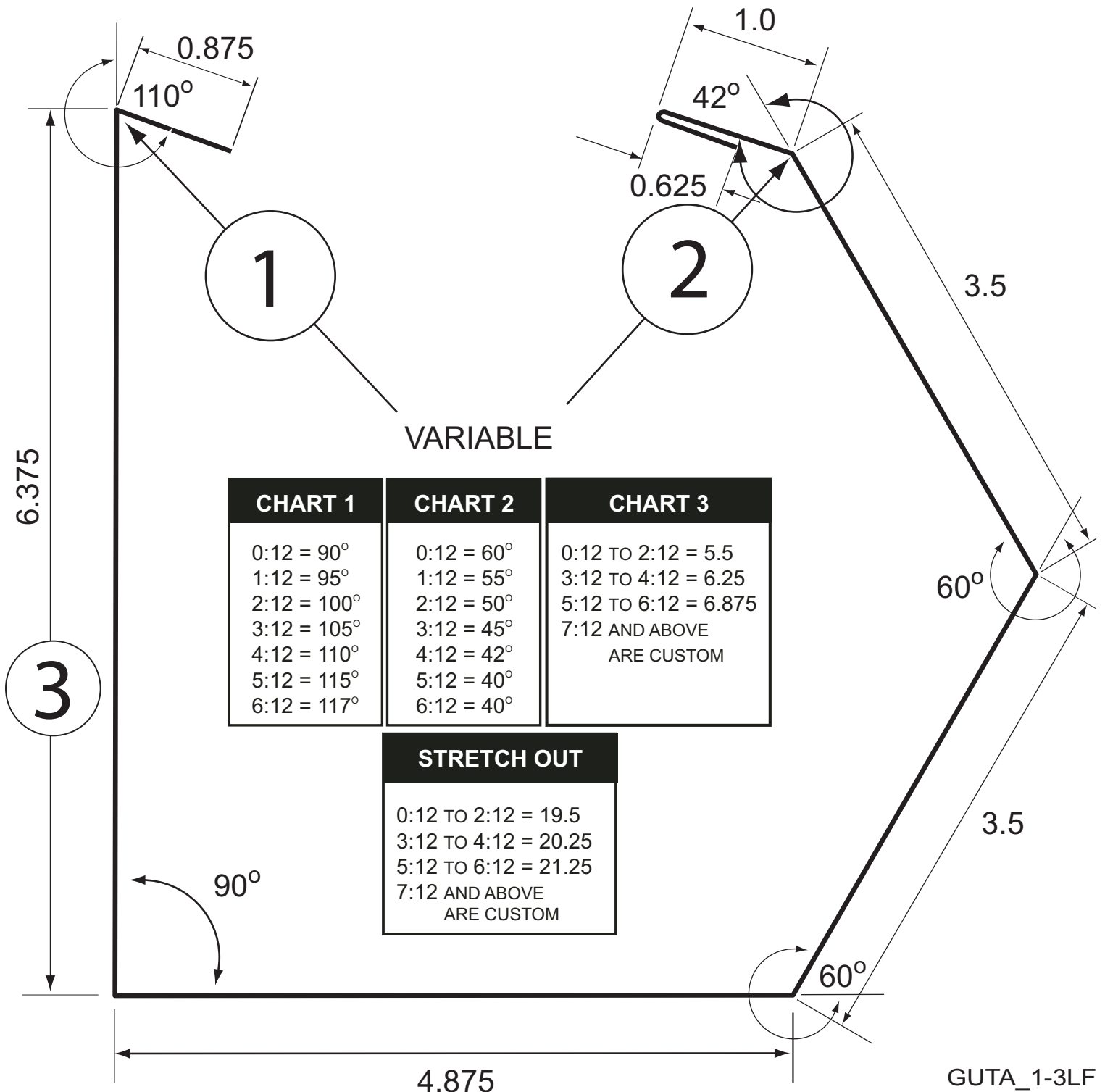
**Gutter Straps R Panel**  
**S.O.: 5.125"**  
**Length: 10.0"**

Revision Date: 12/27/2010  
Scale = 1:1



**Inside Gutter A (Residential)**  
**S.O.: 20.75"**

Revision Date: 12/15/2010  
Scale = 1:1



**Outside Gutter A (Residential)**  
**S.O.: 20.75"**

Revision Date: 12/15/2010  
Scale = 1:1

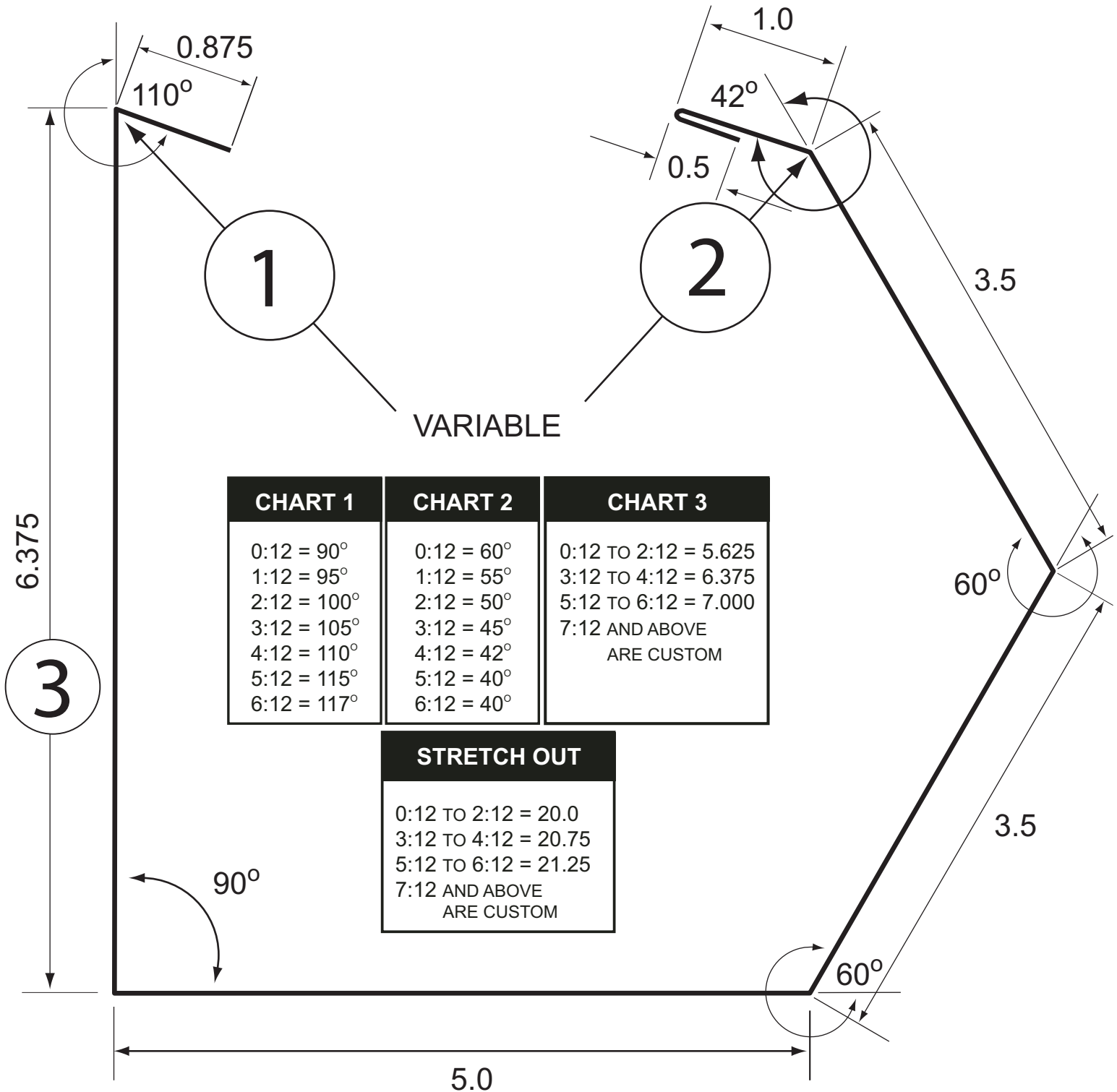


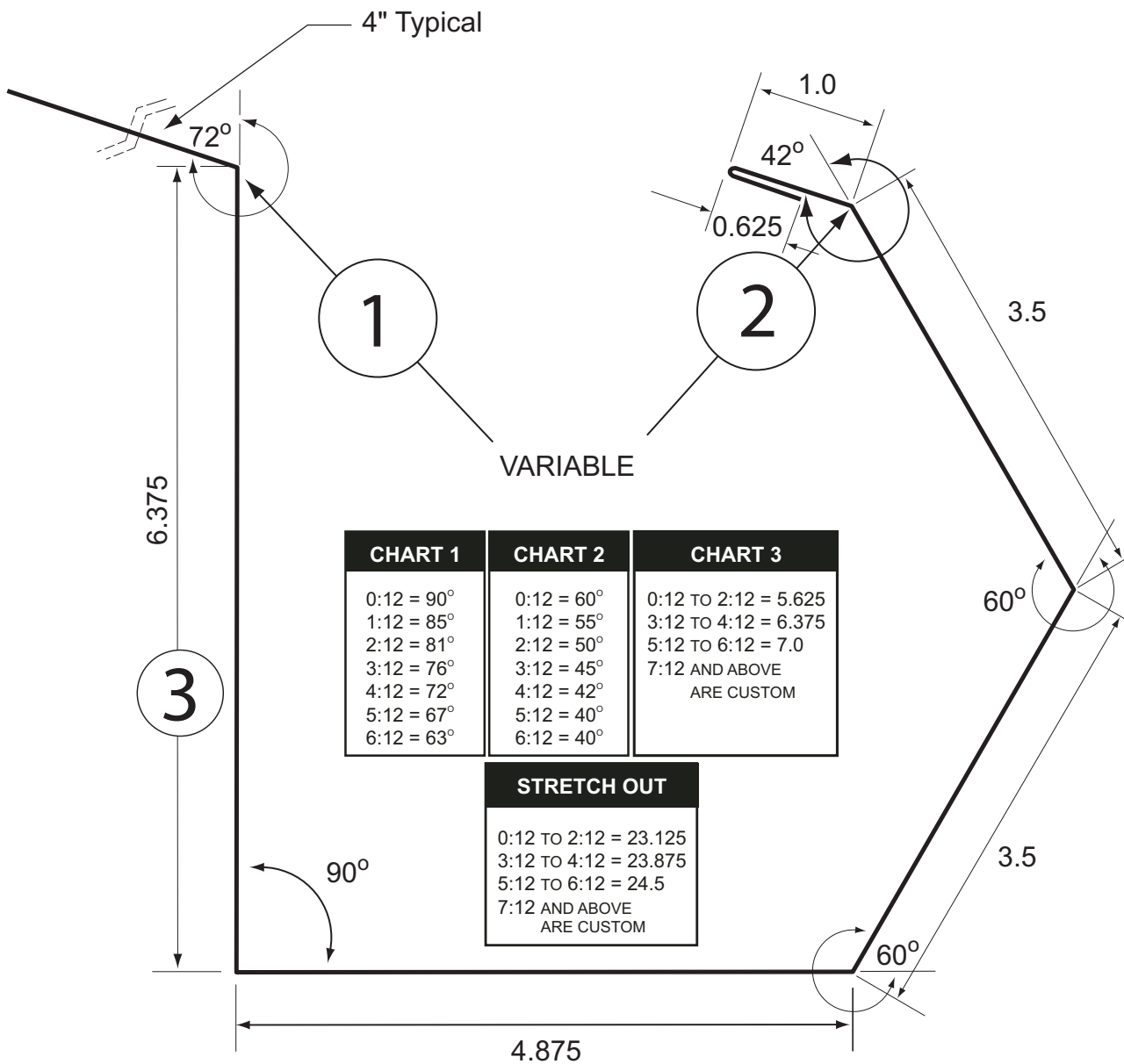
CHART 1	CHART 2	CHART 3
0:12 = 90°	0:12 = 60°	0:12 TO 2:12 = 5.625
1:12 = 95°	1:12 = 55°	3:12 TO 4:12 = 6.375
2:12 = 100°	2:12 = 50°	5:12 TO 6:12 = 7.000
3:12 = 105°	3:12 = 45°	7:12 AND ABOVE
4:12 = 110°	4:12 = 42°	ARE CUSTOM
5:12 = 115°	5:12 = 40°	
6:12 = 117°	6:12 = 40°	

STRETCH OUT
0:12 TO 2:12 = 20.0
3:12 TO 4:12 = 20.75
5:12 TO 6:12 = 21.25
7:12 AND ABOVE
ARE CUSTOM

**Inside Gutter A Flange  
(Residential)  
S.O.: 23.875"**

Revision Date: 12/15/2010

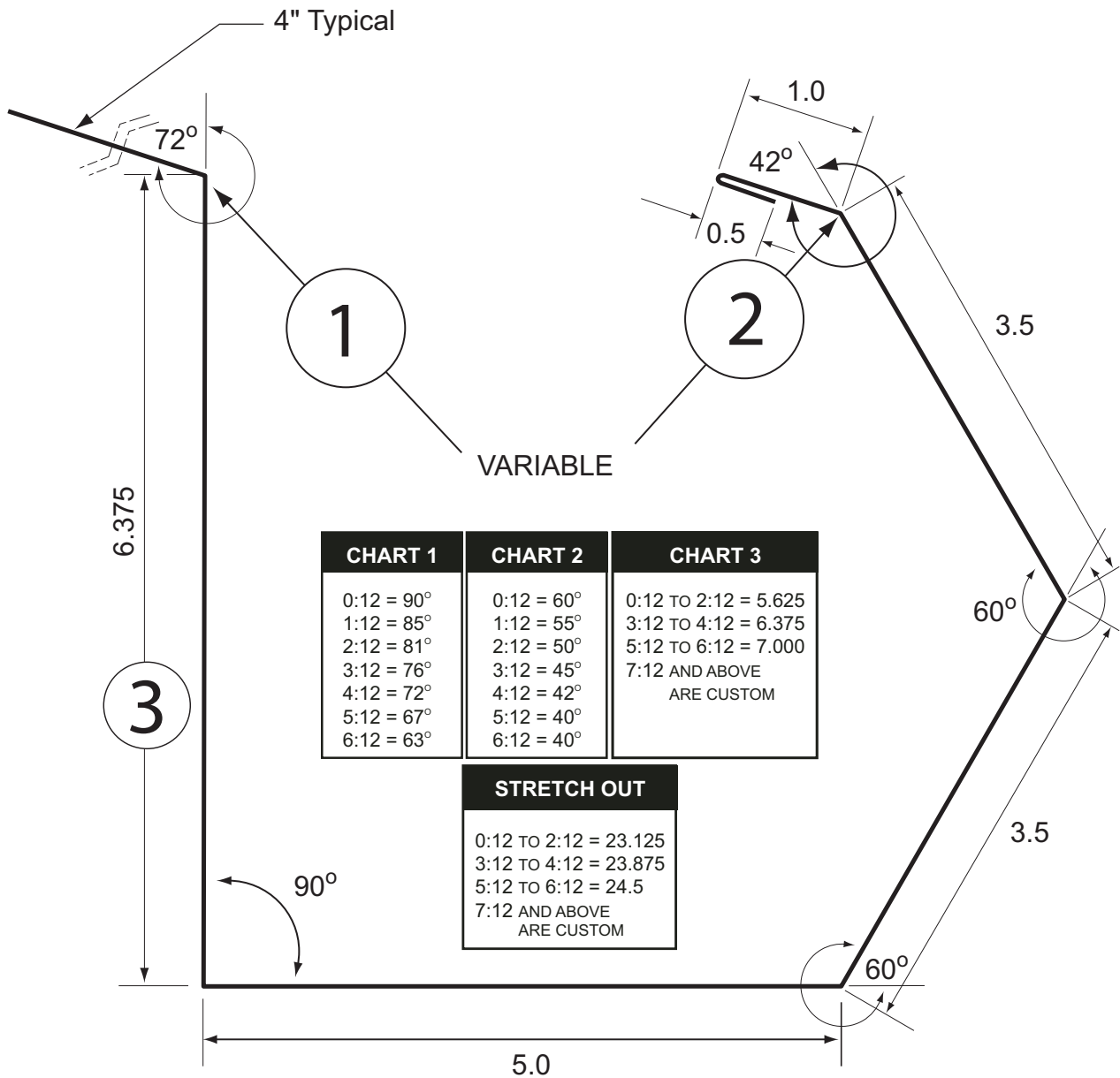
Scale = .75:1



**Outside Gutter A Flange  
(Residential)  
S.O.: 23.875"**

Revision Date: 12/15/2010

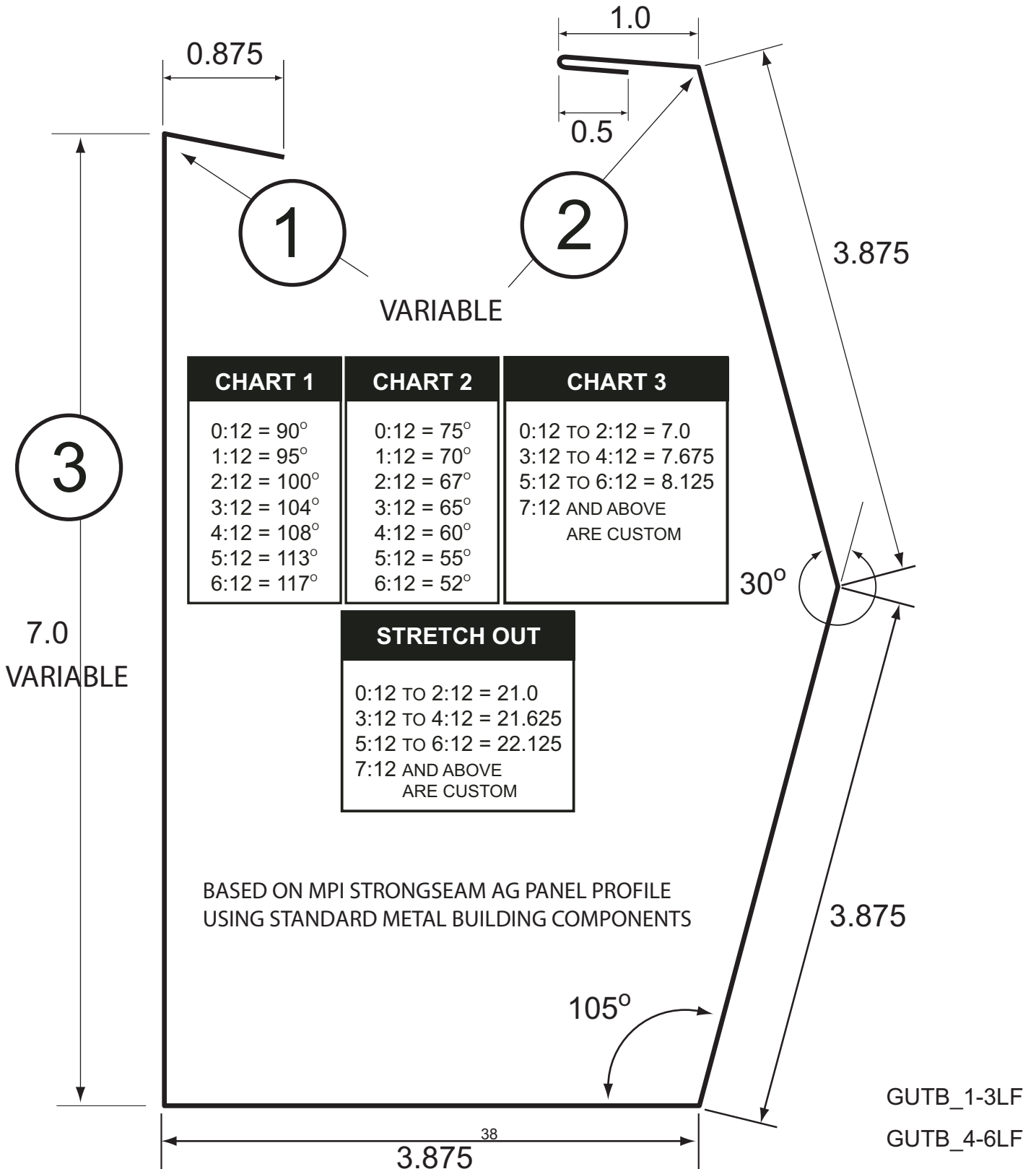
Scale = .75:1





# Inside Gutter B - AG Panel

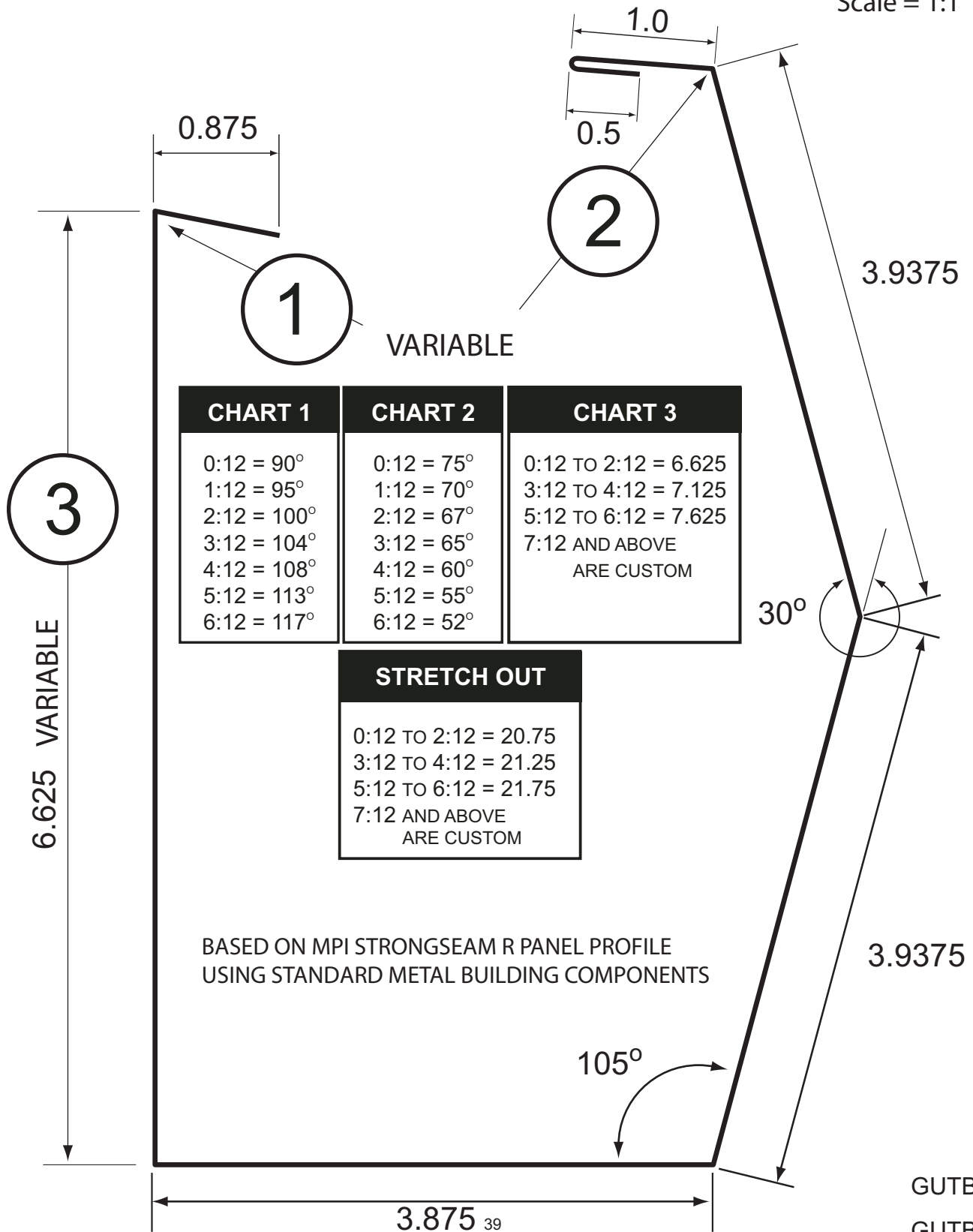
Revision Date: 9/29/2010  
Scale = 1:1



# Inside Gutter B - R Panel

Revision Date: 12/28/2010

Scale = 1:1



BASED ON MPI STRONGSEAM R PANEL PROFILE  
USING STANDARD METAL BUILDING COMPONENTS

# Outside Gutter B -AG Panel

Revision Date: 3/24/2010  
Scale = .75:1

### CHART 1

0:12 = 90°  
1:12 = 95°  
2:12 = 100°  
3:12 = 104°  
4:12 = 108°  
5:12 = 113°  
6:12 = 117°

### CHART 2

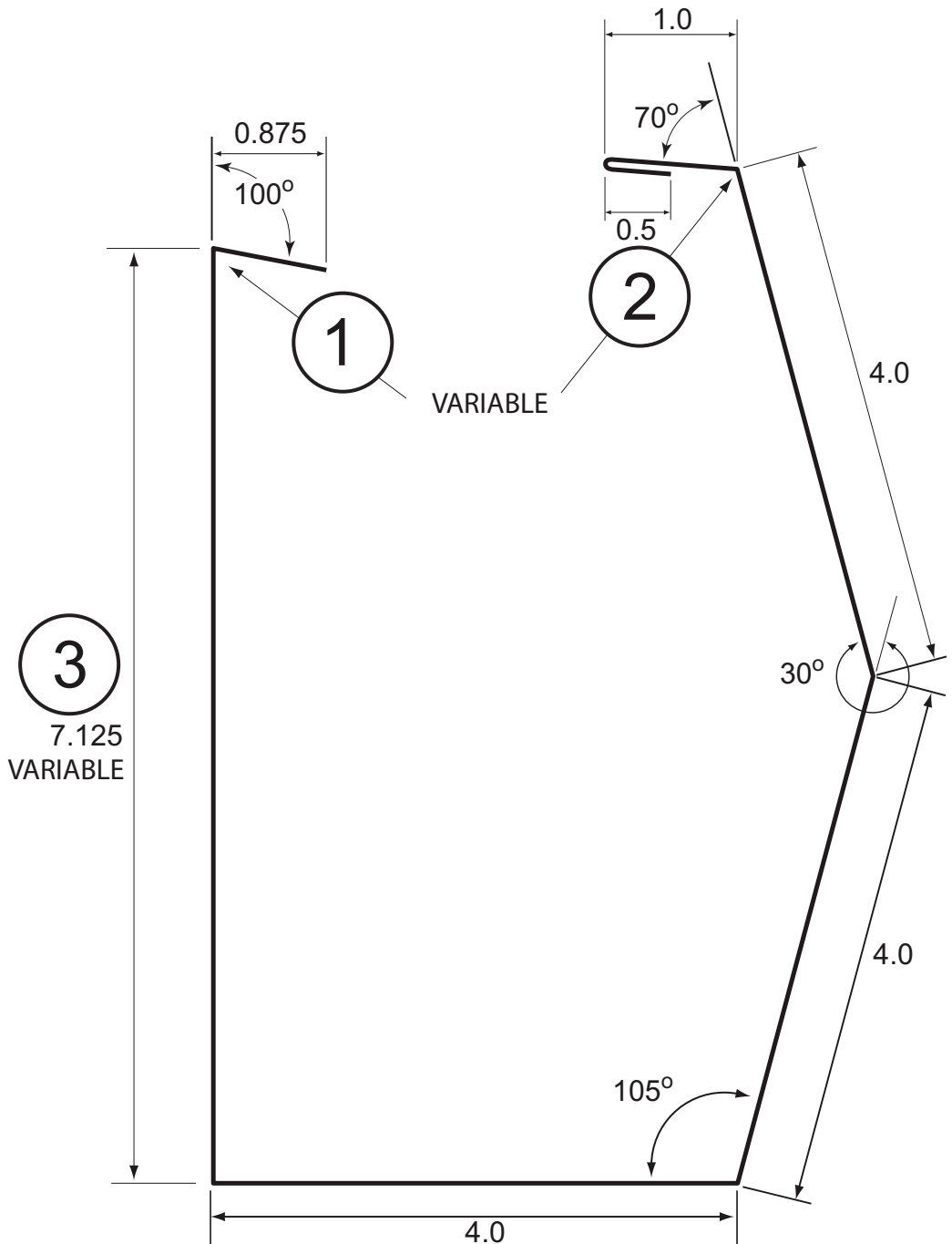
0:12 = 75°  
1:12 = 70°  
2:12 = 67°  
3:12 = 65°  
4:12 = 60°  
5:12 = 55°  
6:12 = 52°

### CHART 3

0:12 TO 2:12 = 7.125  
3:12 TO 4:12 = 7.75  
5:12 TO 6:12 = 8.25  
7:12 AND ABOVE  
ARE CUSTOM

### STRETCH OUT

0:12 TO 2:12 = 21.5  
3:12 TO 4:12 = 22.125  
5:12 TO 6:12 = 22.625  
7:12 AND ABOVE  
ARE CUSTOM



BASED ON MPI STRONGSEAM AG PANEL PROFILE,  
USING STANDARD METAL BUILDING COMPONENTS

GUTB\_1-3LF  
GUTB\_4-6LF

# Outside Gutter B -AG Panel

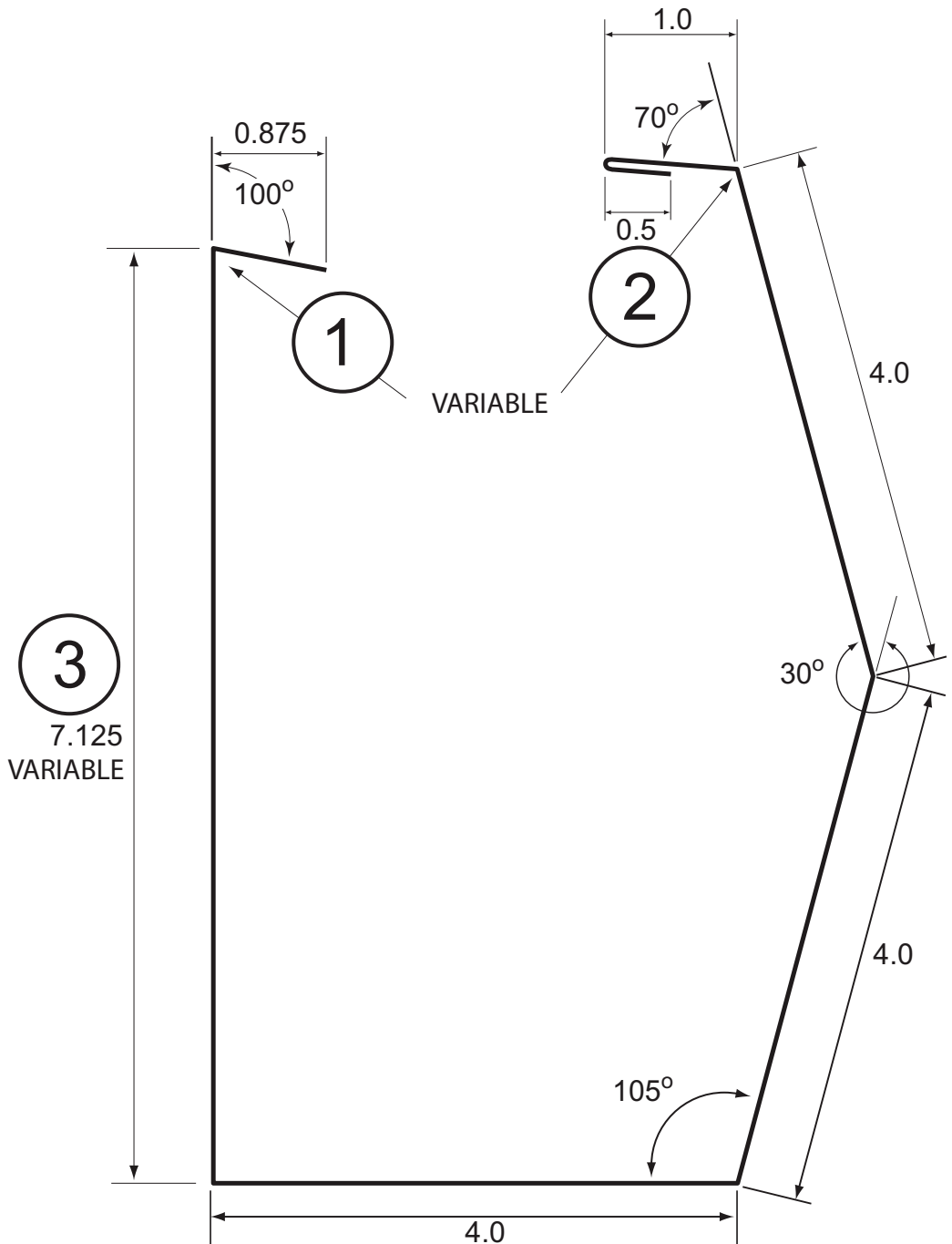
Revision Date: 4/17/2012  
Scale = .75:1

CHART 1	
0:12 = 90°	
1:12 = 95°	
2:12 = 100°	
3:12 = 104°	
4:12 = 108°	
5:12 = 113°	
6:12 = 117°	

CHART 2	
0:12 = 75°	
1:12 = 70°	
2:12 = 67°	
3:12 = 65°	
4:12 = 60°	
5:12 = 55°	
6:12 = 52°	

CHART 3	
0:12 TO 2:12 = 7.125	
3:12 TO 4:12 = 7.75	
5:12 TO 6:12 = 8.25	
7:12 AND ABOVE ARE CUSTOM	

STRETCH OUT	
0:12 TO 2:12 = 21.5	
3:12 TO 4:12 = 22.125	
5:12 TO 6:12 = 22.625	
7:12 AND ABOVE ARE CUSTOM	



BASED ON MPI STRONGSEAM AG PANEL PROFILE,  
USING STANDARD METAL BUILDING COMPONENTS

GUTBAG\_\_1-2LF  
GUTBAG\_\_3-4LF  
GUTBAG\_\_5-6LF

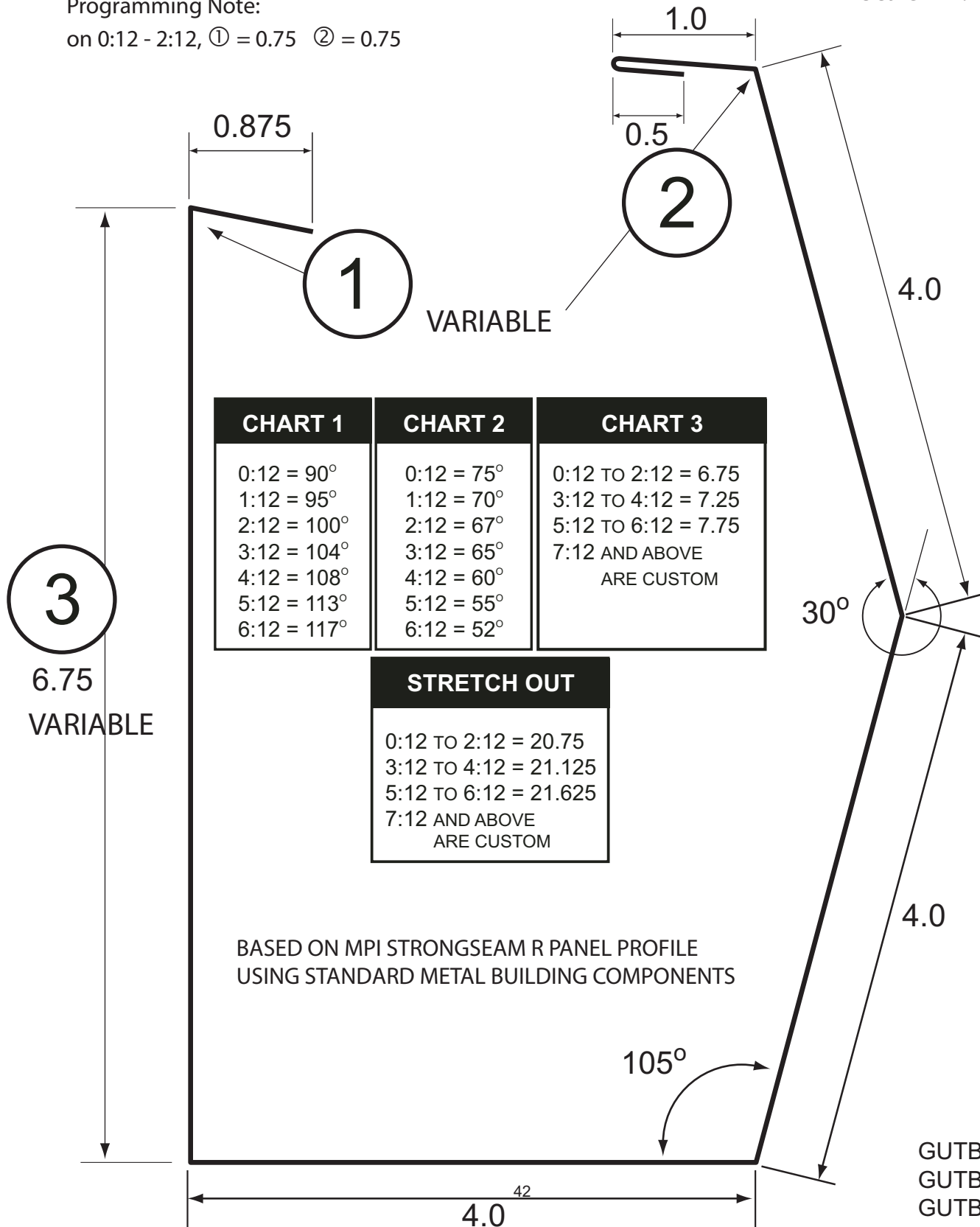
# Outside Gutter B - R Panel

Revision Date: 4/17/2012

Scale = 1:1

Programming Note:

on 0:12 - 2:12, ① = 0.75 ② = 0.75

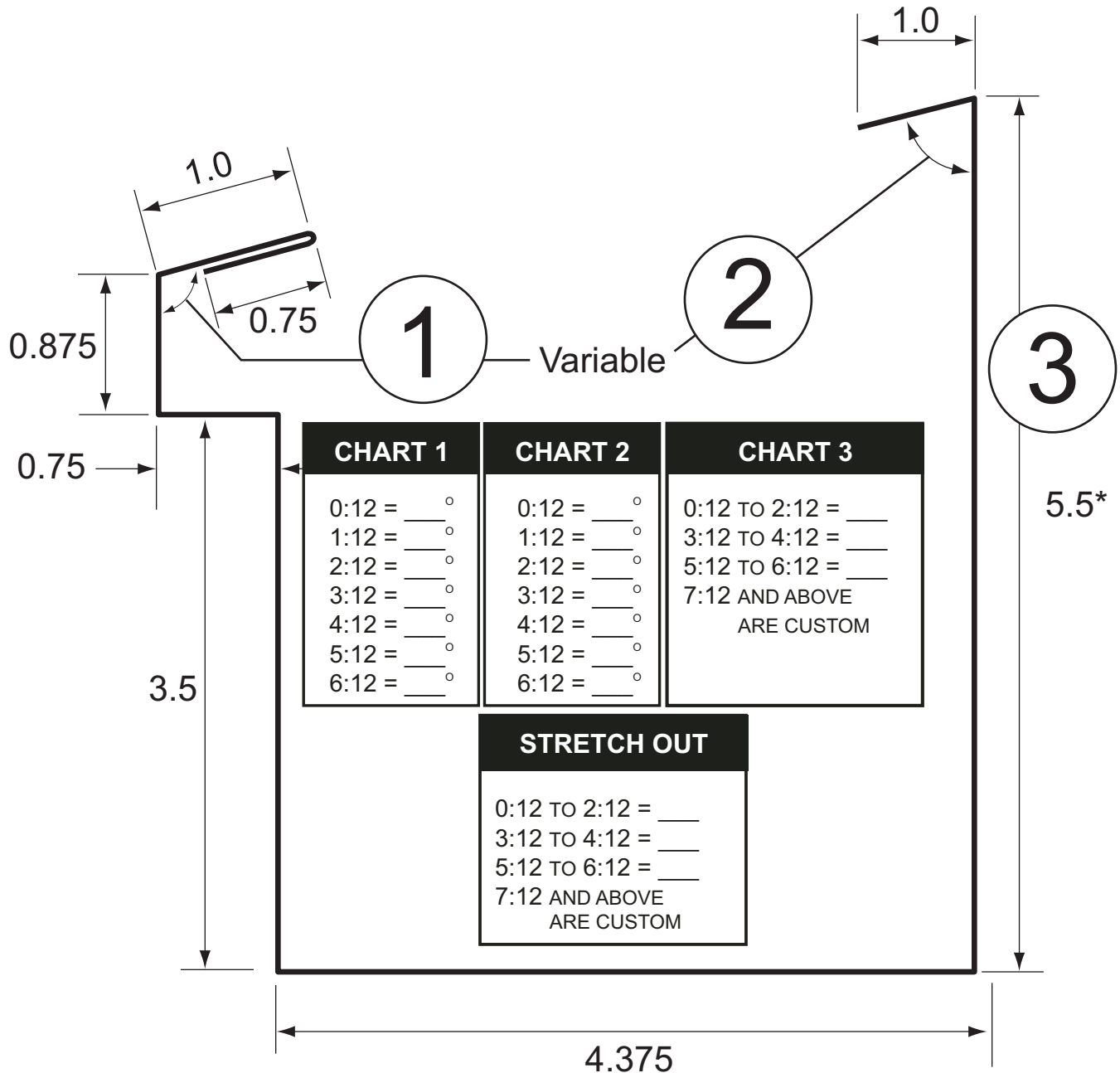


BASED ON MPI STRONGSEAM R PANEL PROFILE  
USING STANDARD METAL BUILDING COMPONENTS

GUTBR\_\_1-2LF  
GUTBR\_\_3-4LF  
GUTBR\_\_5-6LF

**Inside Box Gutter A**  
**S.O.: 17.75" (1-3)**  
**S.O.: 18.25" (4-6)**

Revision Date: 12/28/2010  
Scale = 1:1



\* 5.375" for 1/12 to 3/12  
pitch. Add 0.5" for each  
additional pitch.

GUTBXA\_1-3LF  
GUTBXA\_4-6LF

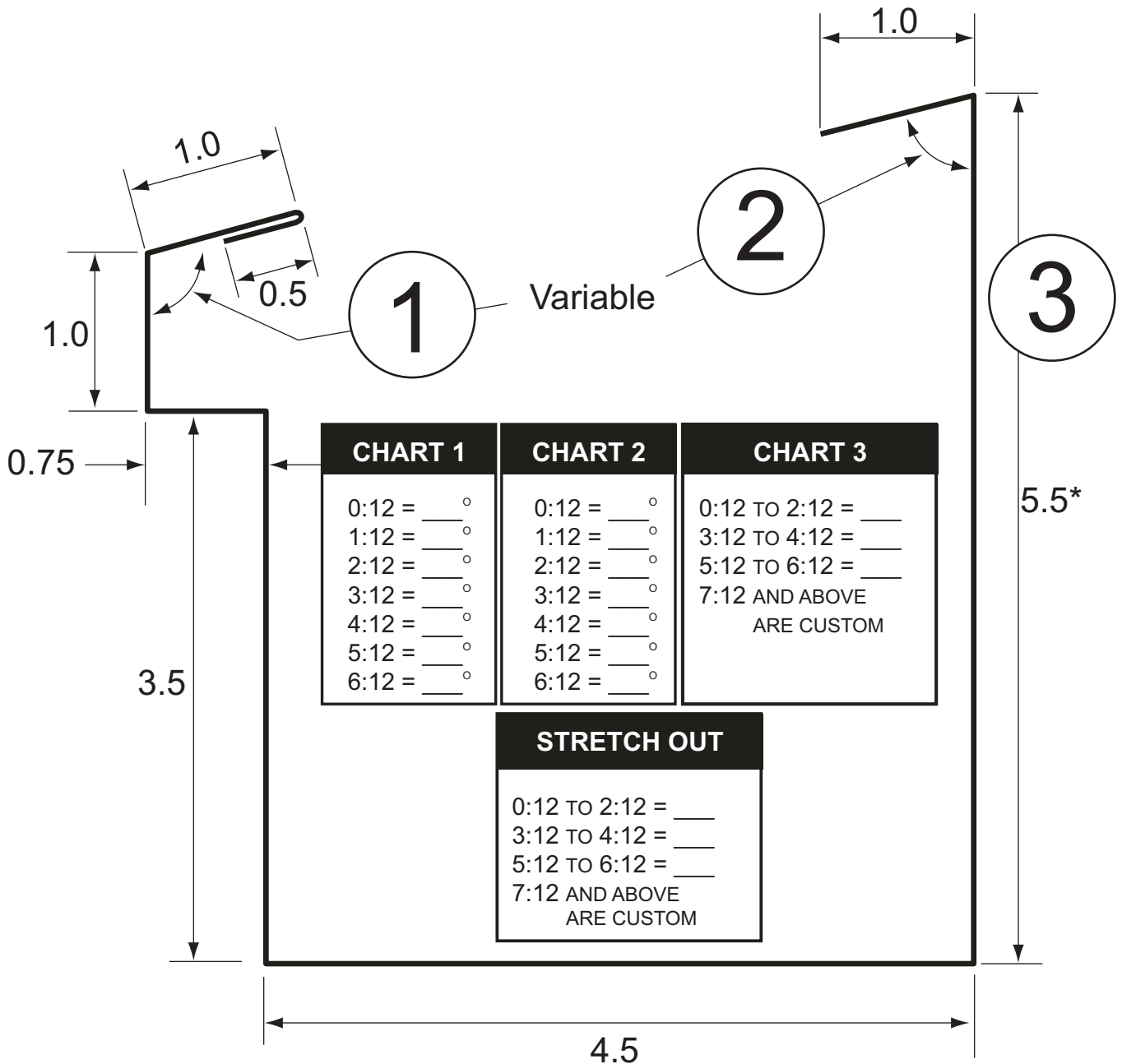
**Outside Box Gutter A**

Revision Date: 12/28/2010

**S.O.: 17.75" (1-3)**

Scale = 1:1

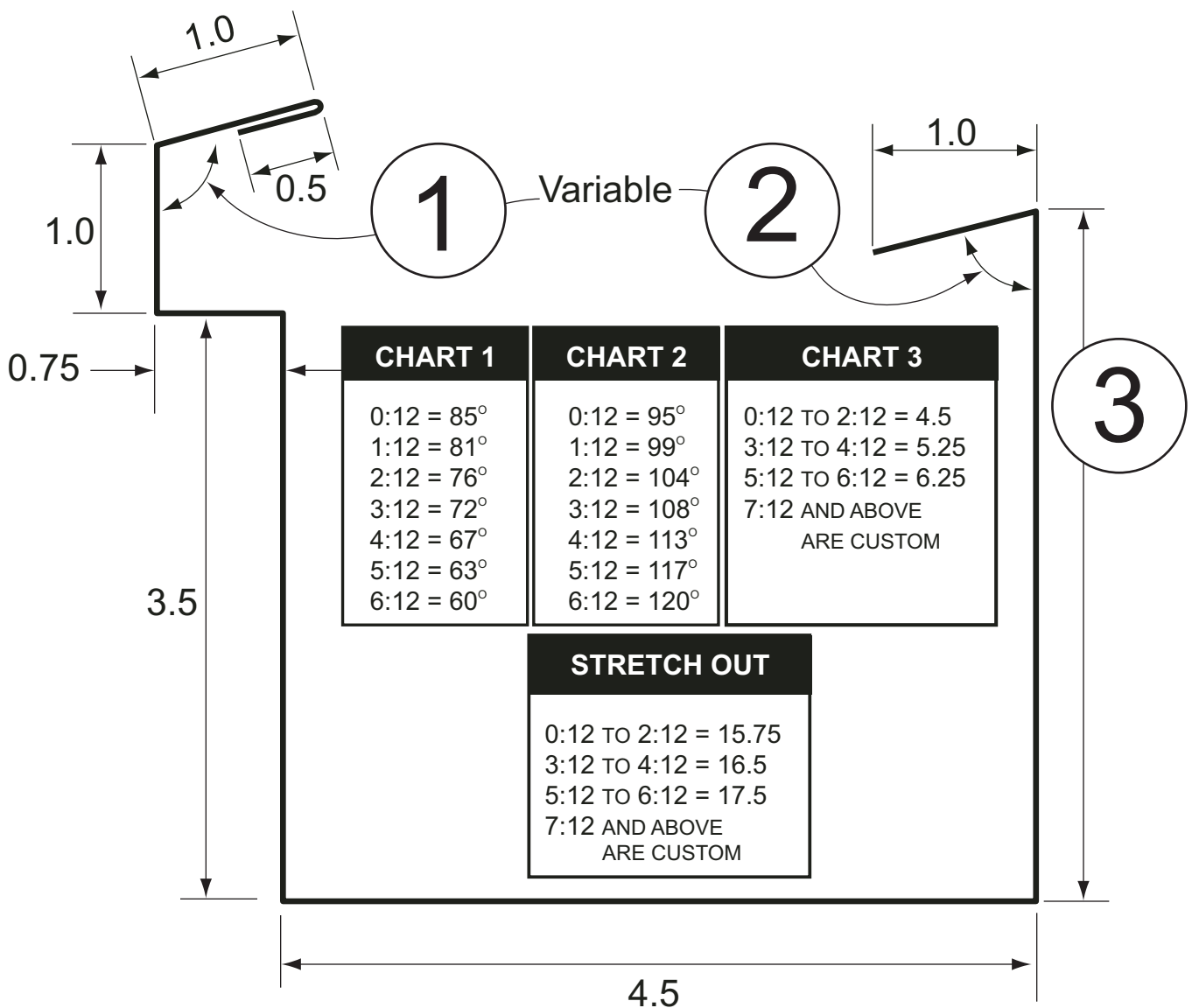
**S.O.: 18.25" (4-6)**



\* 5.5" for 1/12 to 3/12  
pitch. Add 0.5" for each  
additional pitch.

# Outside Box Gutter A for R-Panel

Revision Date: 4/30/2014  
Scale = 1:1





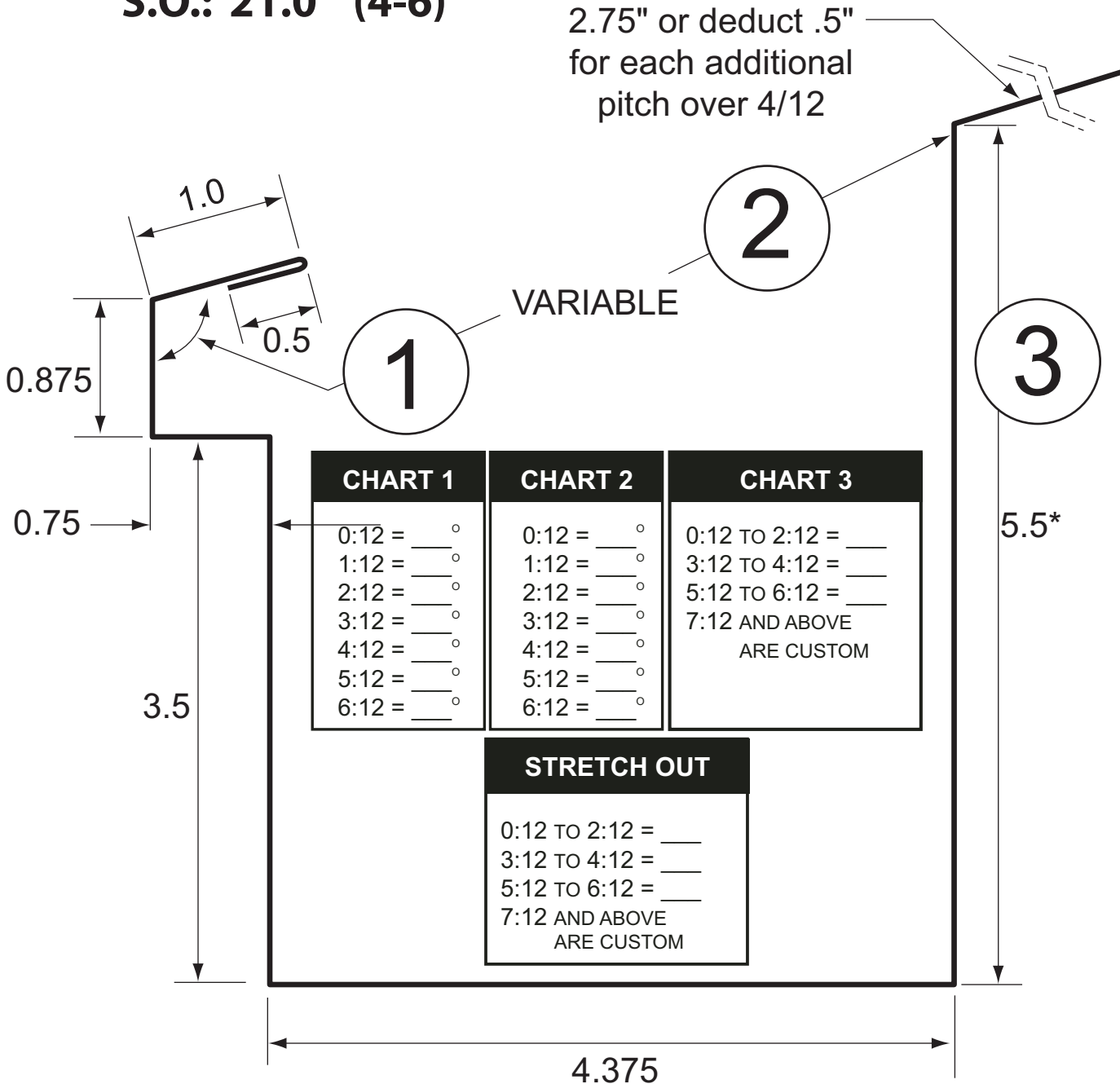
# Inside Box Gutter C Flange

Revision Date: 12/28/2010

Scale = 1:1

S.O.: 20.5" (1-3)

S.O.: 21.0" (4-6)



\* 5.5" for 1/12 to 3/12 pitch. Add 0.5" for each additional pitch.

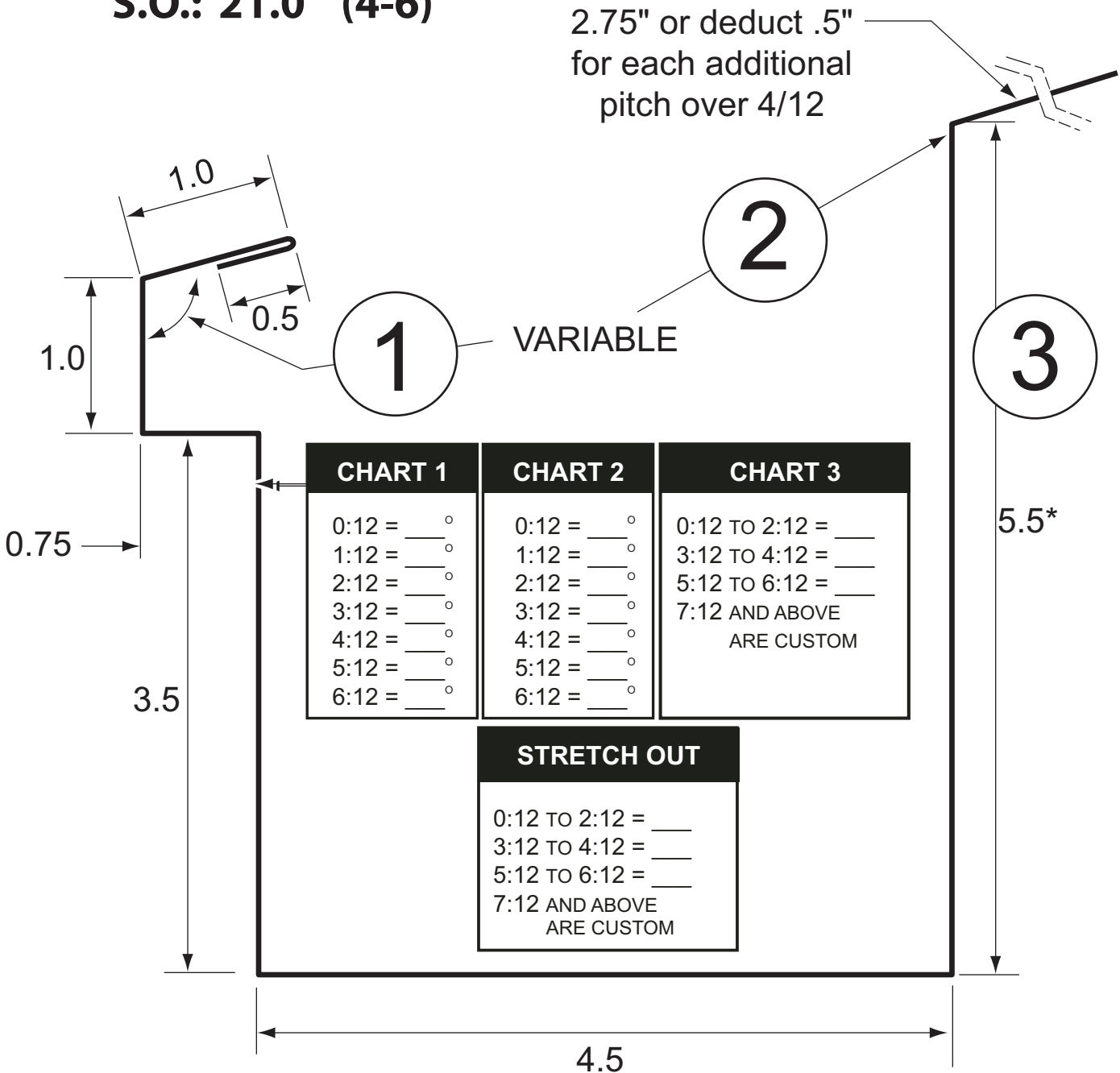
# Outside Box Gutter C Flange

Revision Date: 12/28/2010

Scale = 1:1

S.O.: 20.5" (1-3)

S.O.: 21.0" (4-6)

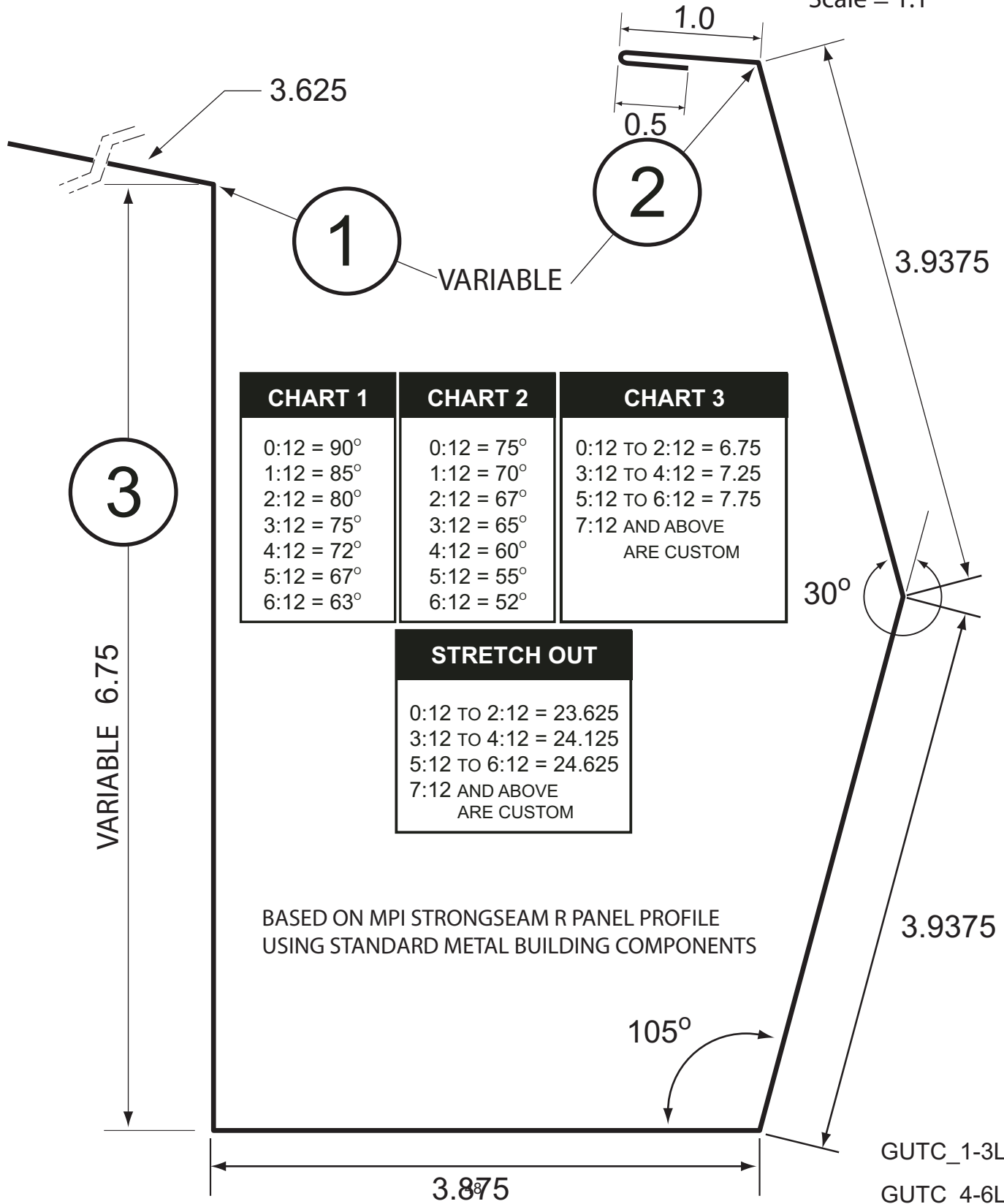


\* 5.5" for 1/12 to 3/12 pitch. Add 0.5" for each additional pitch.

# Inside Gutter C - R Panel

Revision Date: 12/28/2010

Scale = 1:1



# Outside Gutter C - R Panel

Revision Date: 12/28/2010

Scale = 1:1

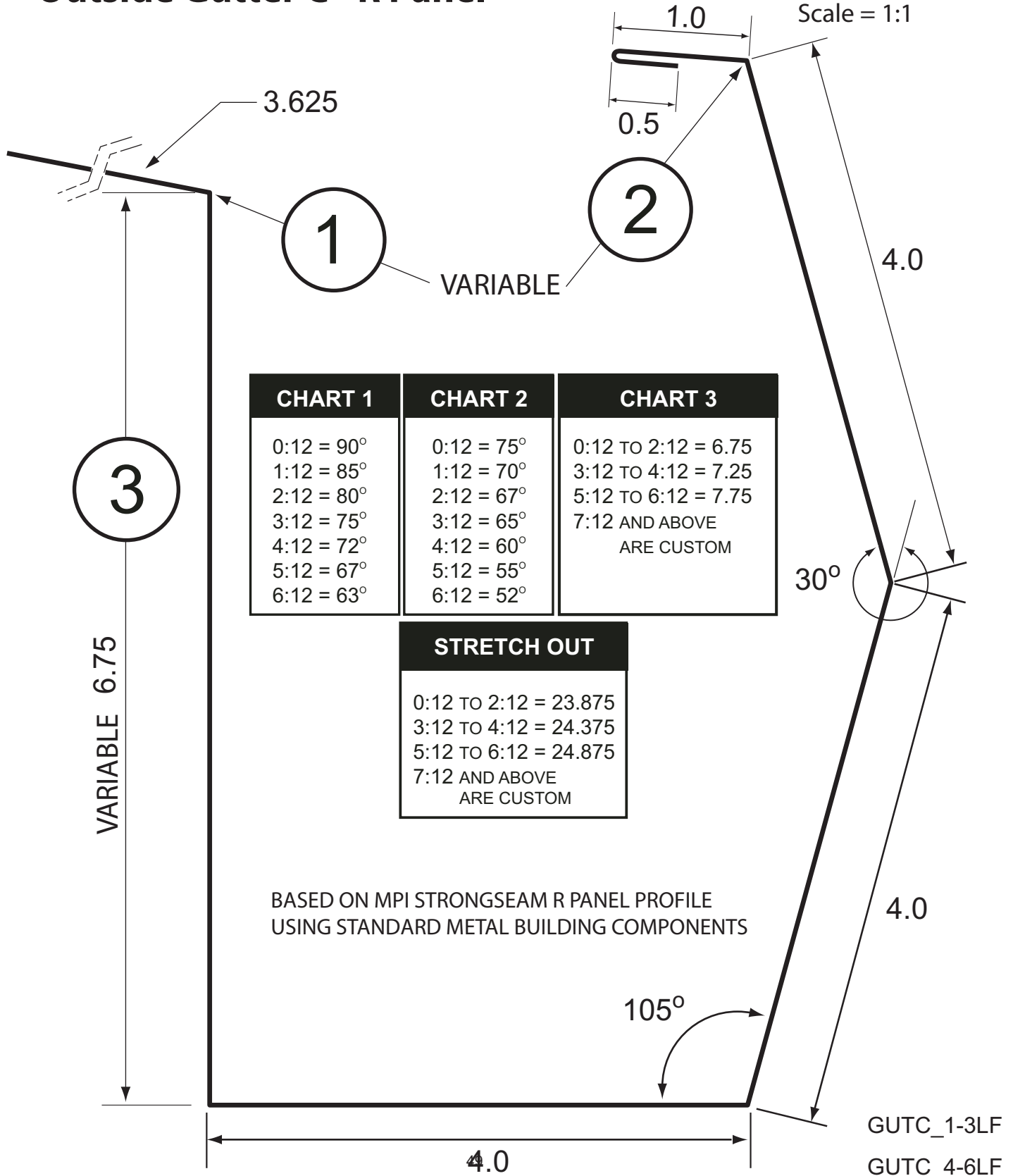


CHART 1	CHART 2	CHART 3
0:12 = 90°	0:12 = 75°	0:12 TO 2:12 = 6.75
1:12 = 85°	1:12 = 70°	3:12 TO 4:12 = 7.25
2:12 = 80°	2:12 = 67°	5:12 TO 6:12 = 7.75
3:12 = 75°	3:12 = 65°	7:12 AND ABOVE
4:12 = 72°	4:12 = 60°	ARE CUSTOM
5:12 = 67°	5:12 = 55°	
6:12 = 63°	6:12 = 52°	

STRETCH OUT
0:12 TO 2:12 = 23.875
3:12 TO 4:12 = 24.375
5:12 TO 6:12 = 24.875
7:12 AND ABOVE
ARE CUSTOM

BASED ON MPI STRONGSEAM R PANEL PROFILE  
USING STANDARD METAL BUILDING COMPONENTS

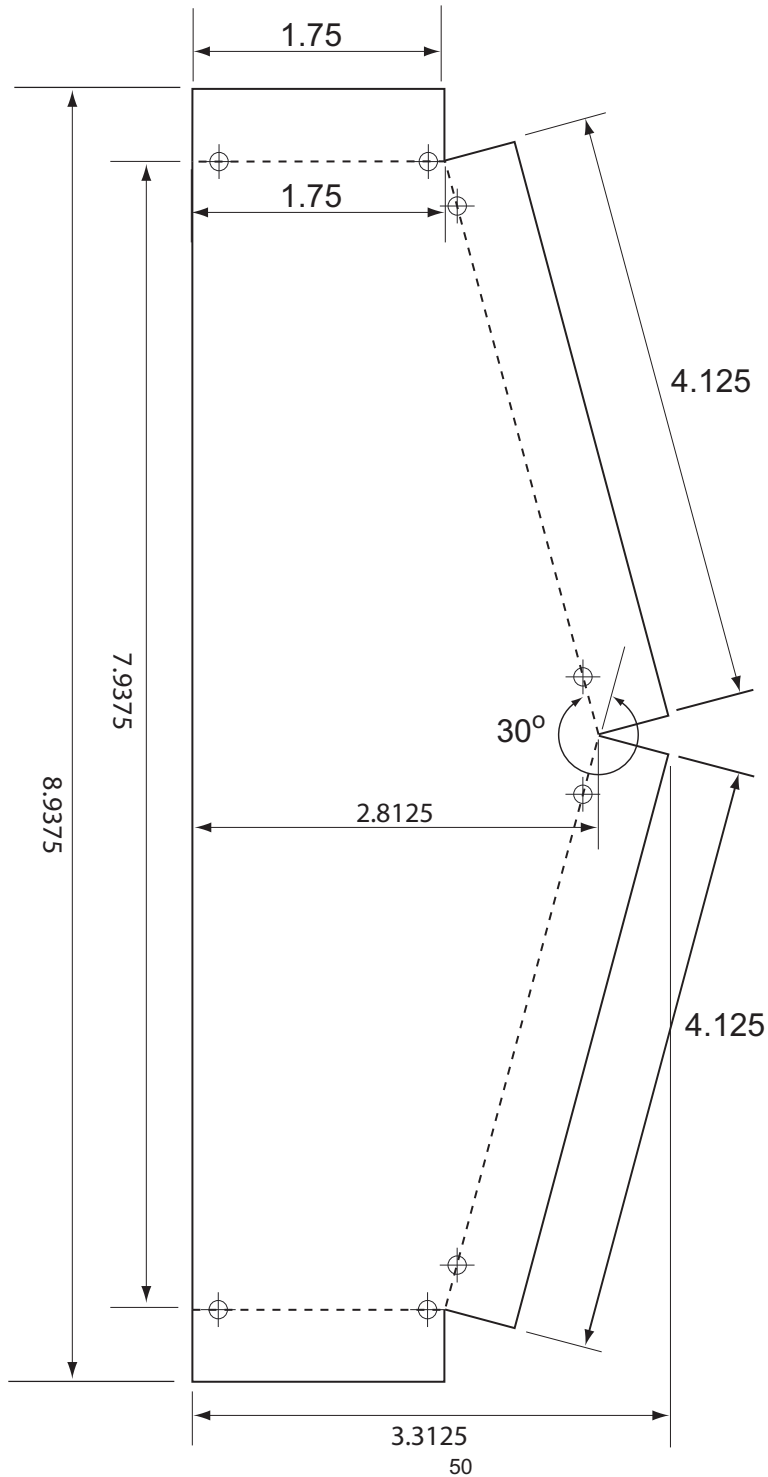
GUTC\_1-3LF  
GUTC\_4-6LF

# Sculptured Rake Trim End Cap

[not gutter]

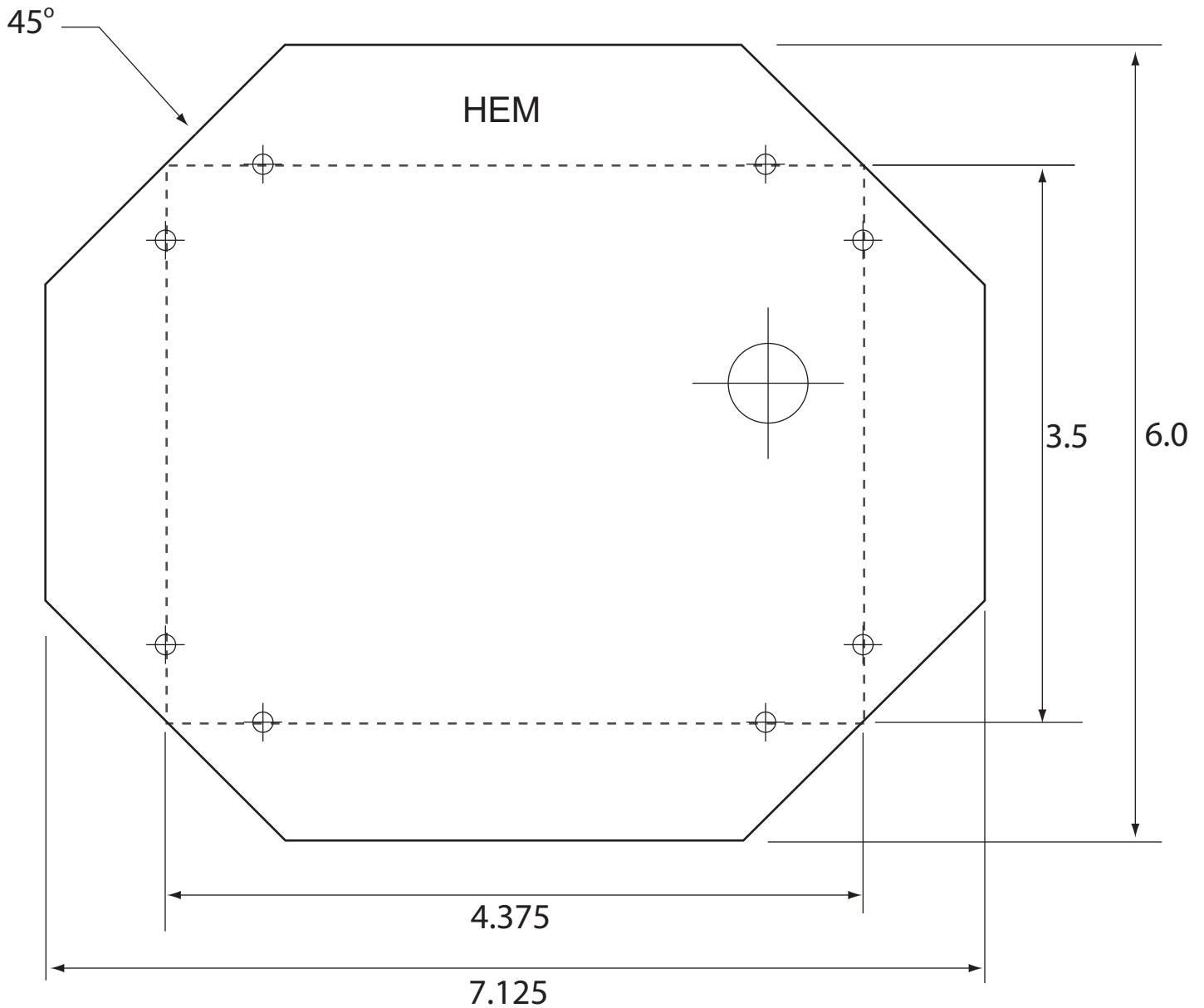
Revision Date: 2/22/2010

Scale = .75:1



# Box Gutter A End Cap

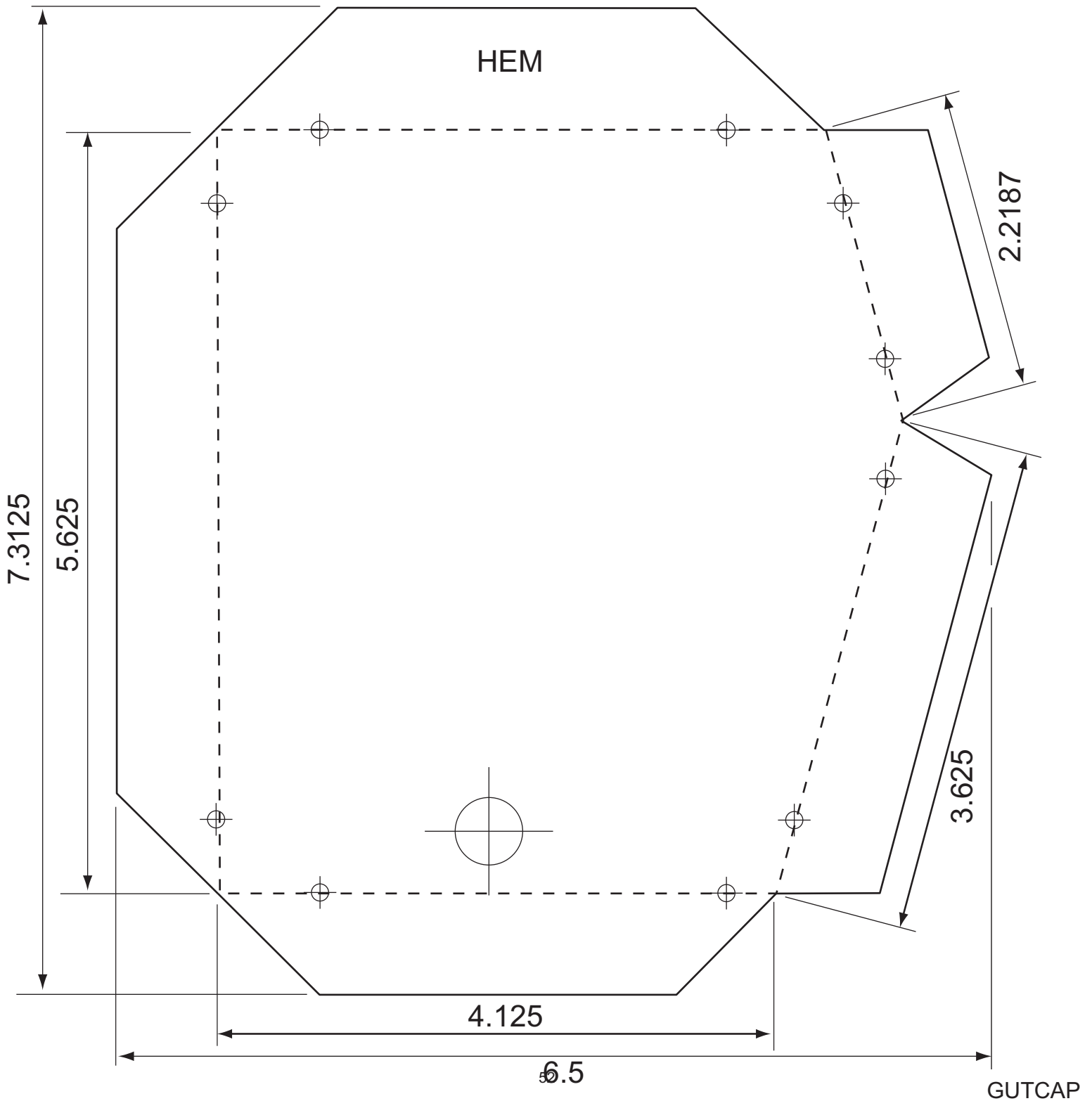
Revision Date: 2/09/2010  
Scale = 1:1



# Sculptured Gutter A End Cap

Revision Date: 2/09/2010

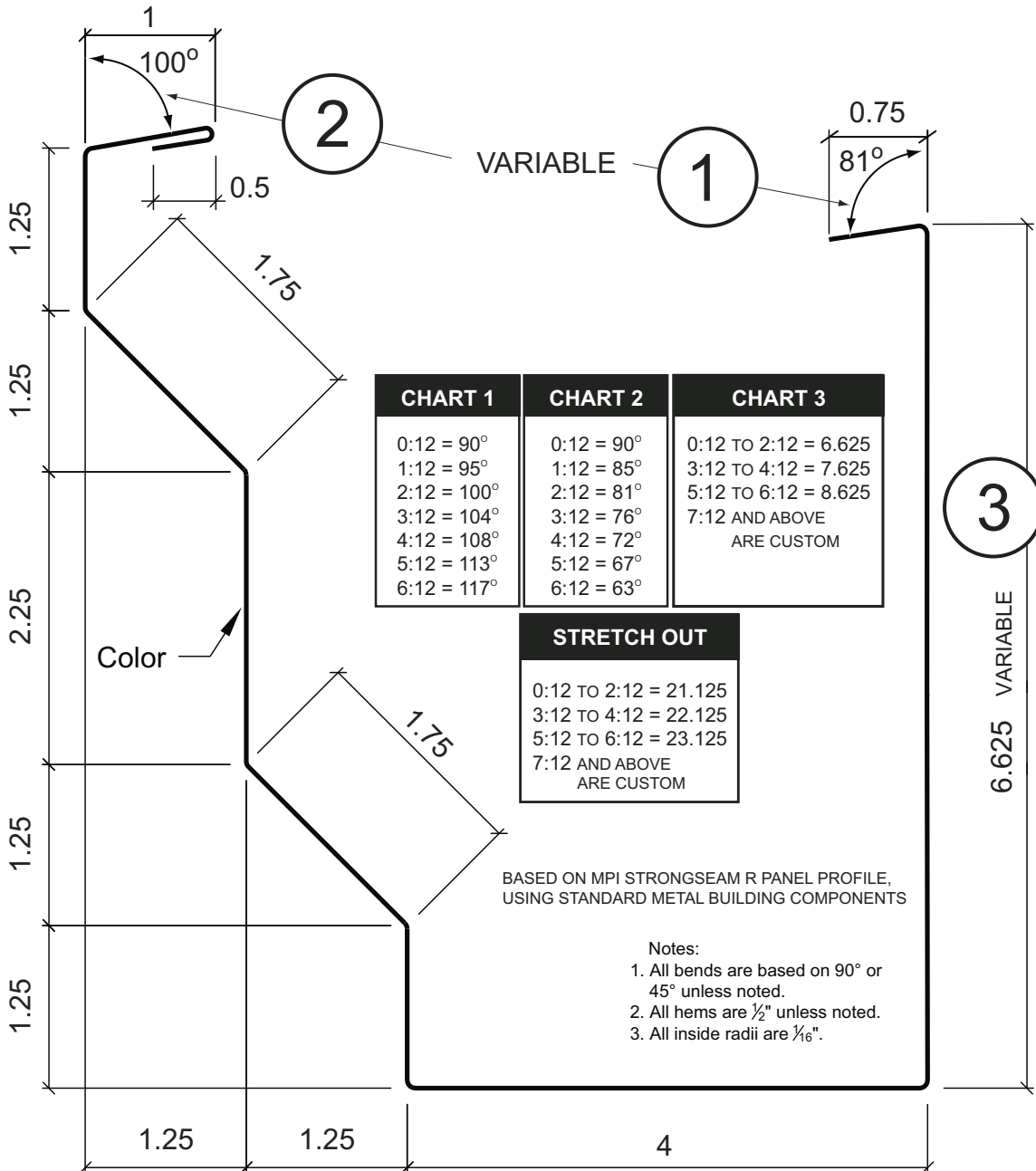
Scale = 1:1



**Outside Shadow Gutter R**

Revision Date: 12/27/2010

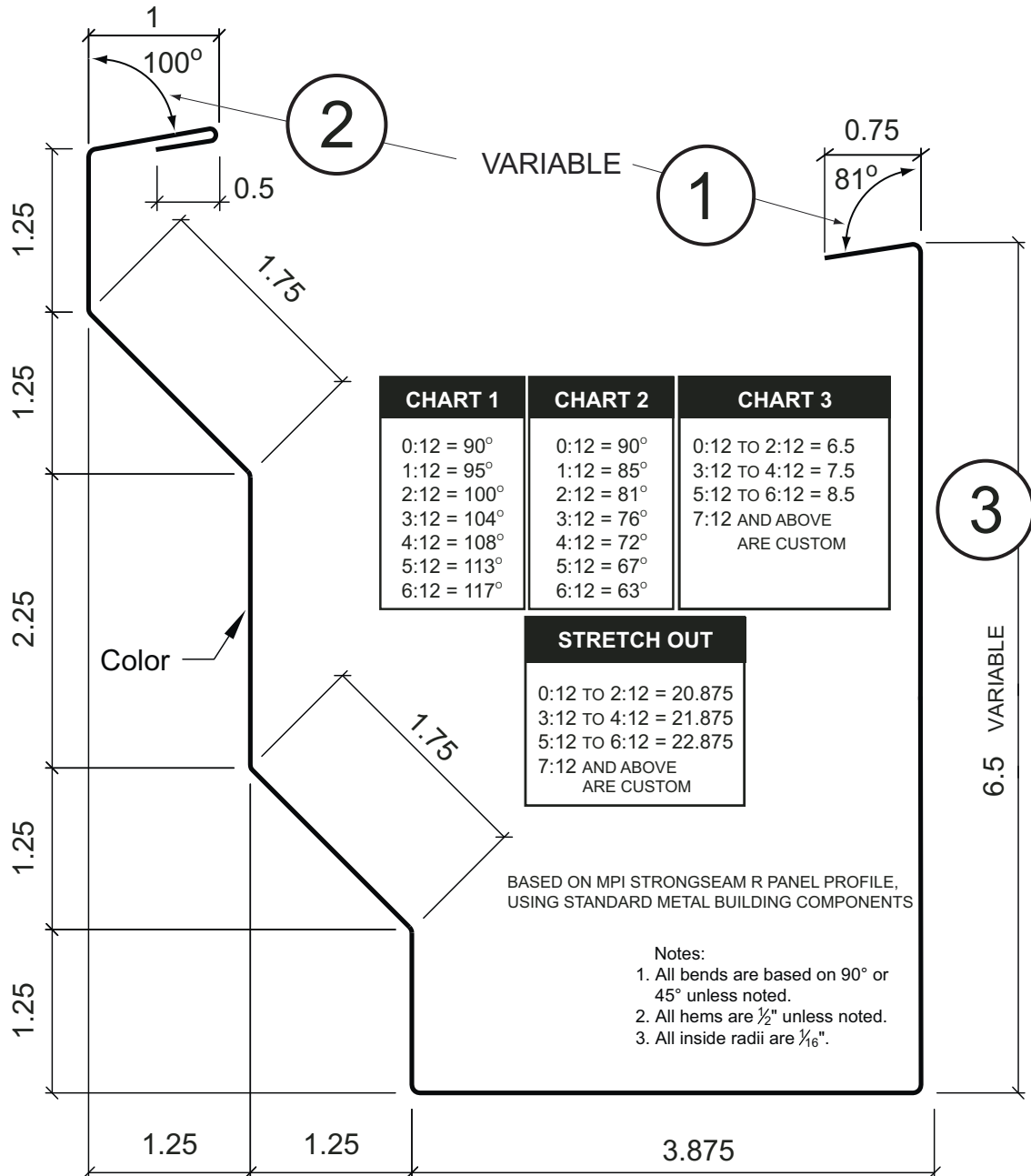
Scale = .75:1





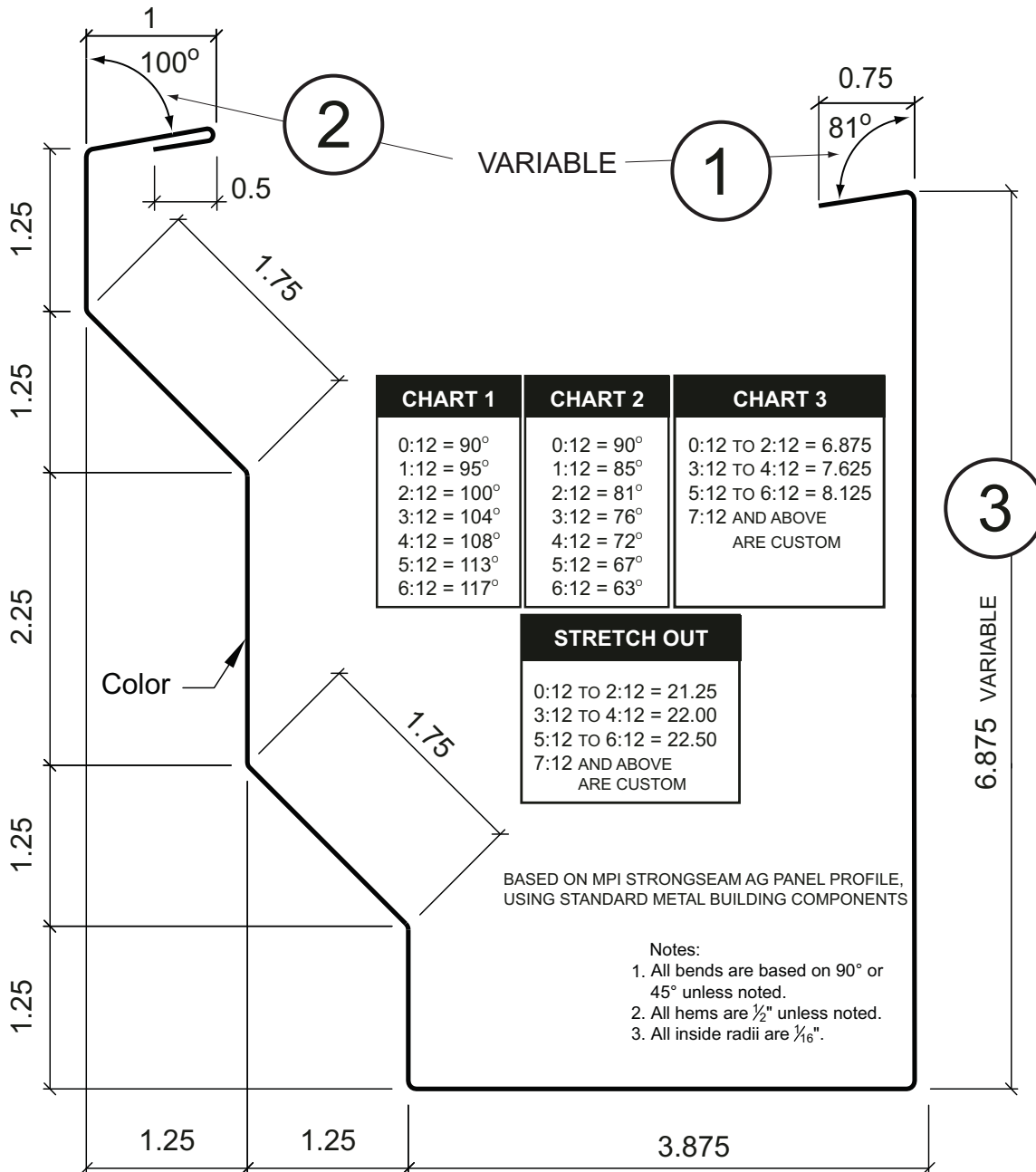
**Inside Shadow Gutter R**

Revision Date: 12/27/2010  
Scale = .75:1



**Inside Shadow Gutter AG**

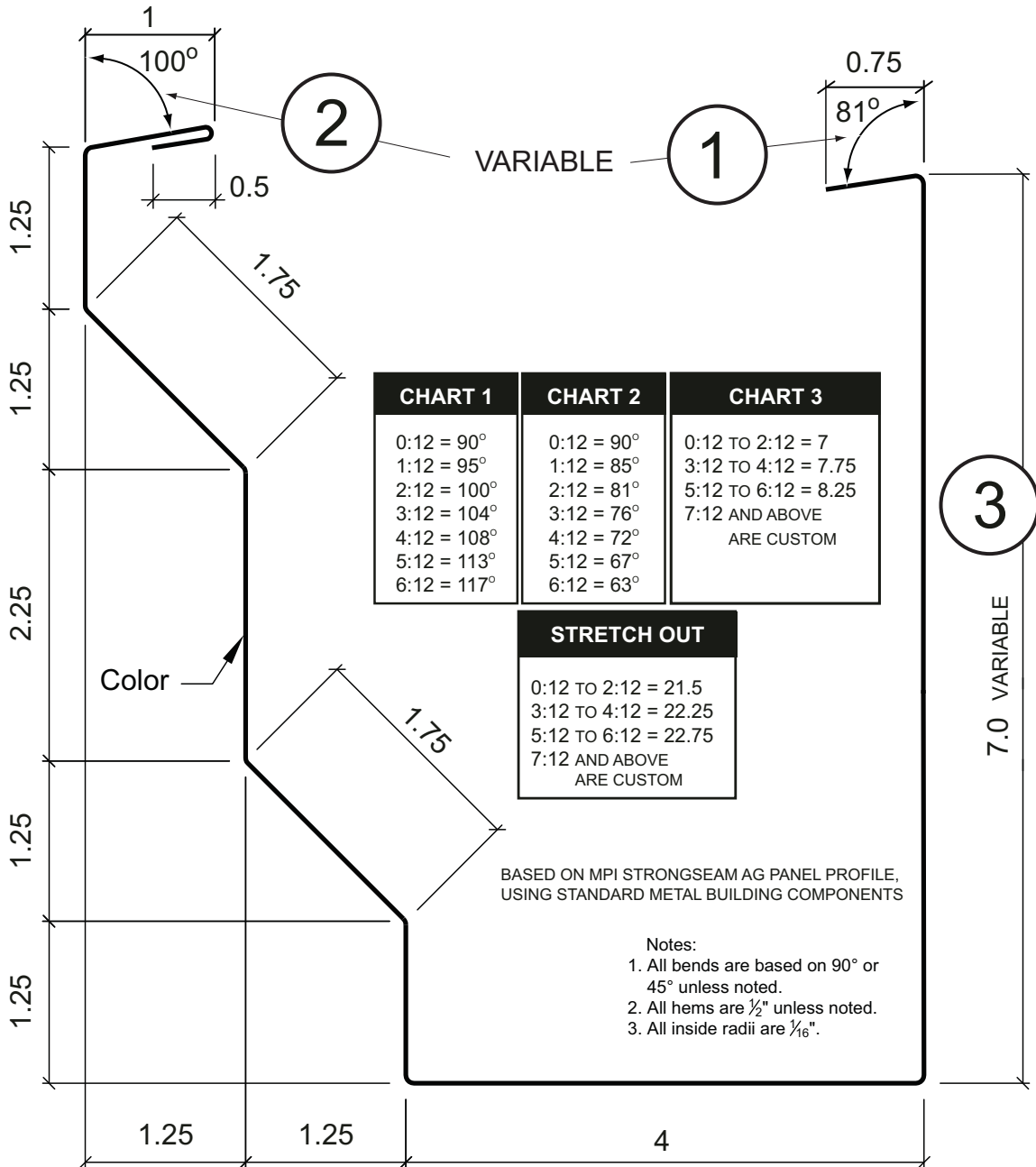
Revision Date: 12/27/2010  
Scale = .75:1



**Outside Shadow Gutter AG**

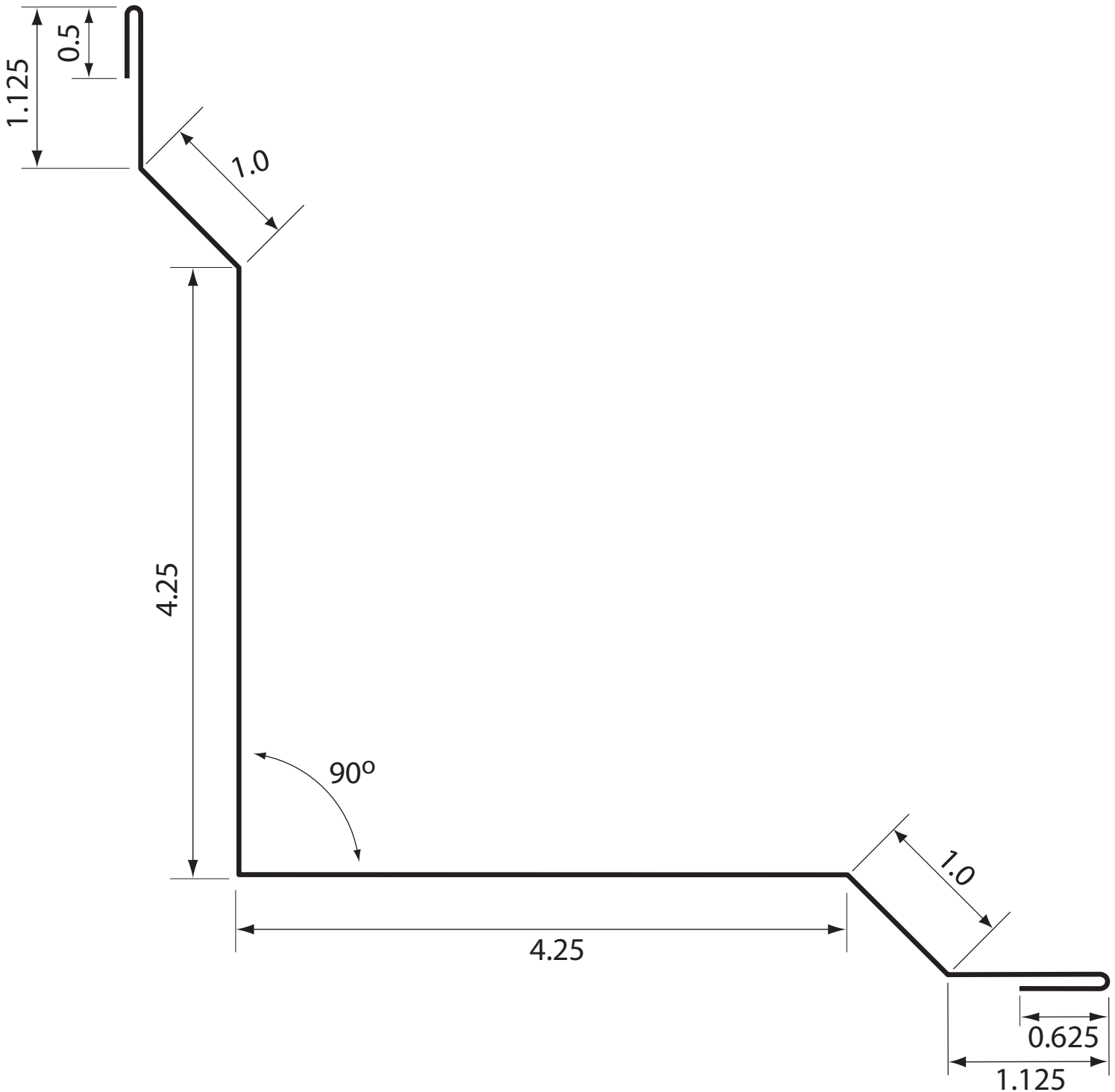
Revision Date: 12/27/2010

Scale = .75:1



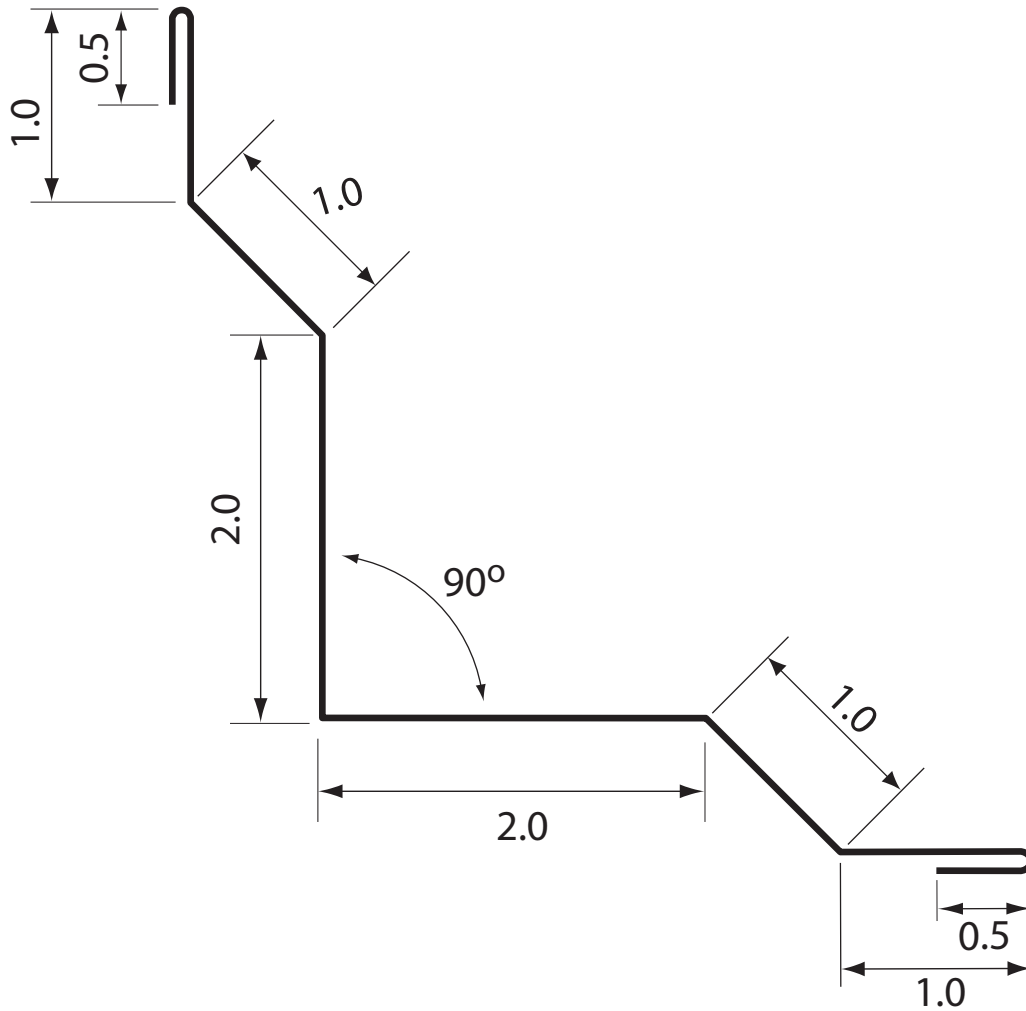
**Inside Corner AG Panel**  
**S.O.: 13.875"** all unlisted angles 45°

Revision Date: 12/15/2010  
Scale = 1:1



**Inside Corner - Mini**  
**S.O.: 9.0"** all unlisted angles 45°

Revision Date: 12/28/2010  
Scale = 1:1

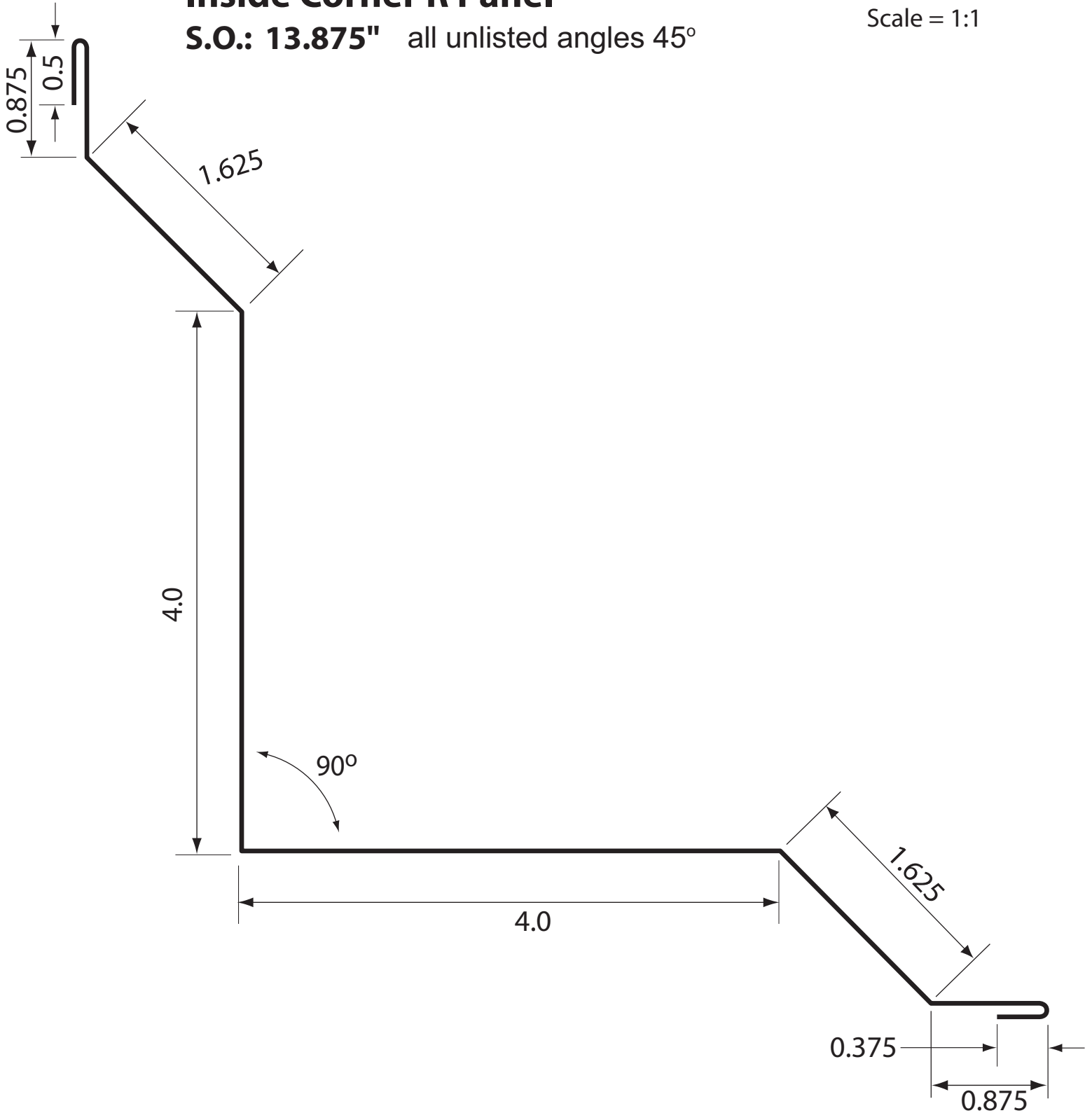


# Inside Corner R Panel

Revision Date: 12/28/2010

S.O.: 13.875" all unlisted angles 45°

Scale = 1:1

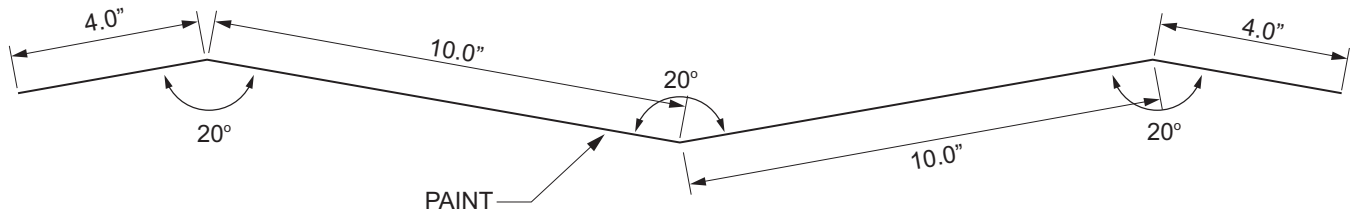


**Insulation Peak Pan**  
**S.O.: 28.0"**

Revision Date: 9/23/2013

Scale = .25:1

INSPPPWHLF

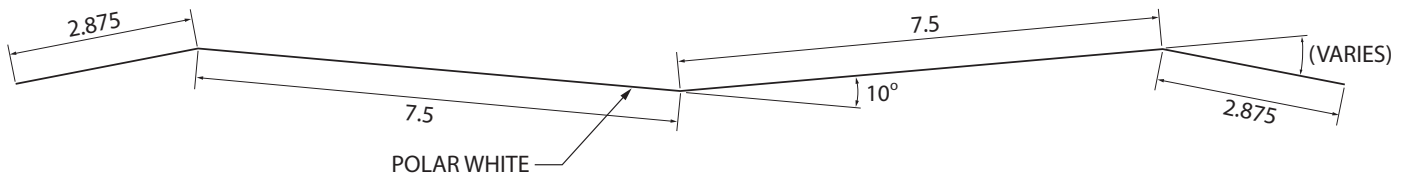


---

**Insulated Ridge Pan**  
**S.O.: 20.75"**

Revision Date: 1/07/2013

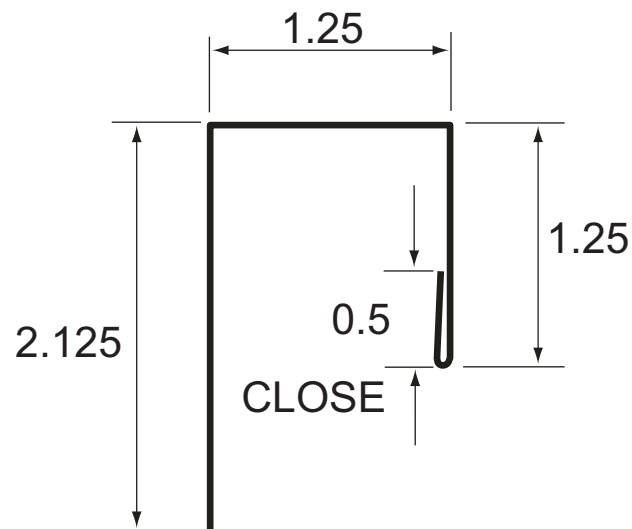
Scale = no scale





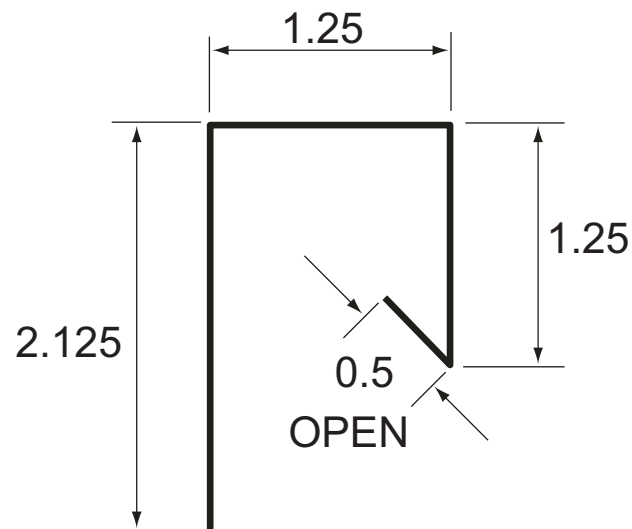
**Header J Trim, R Panel**  
**S.O.: 5.125"**

Revision Date: 12/15/2010  
Scale = 1:1



**Jamb J Trim, R Panel**  
**S.O.: 5.125"**

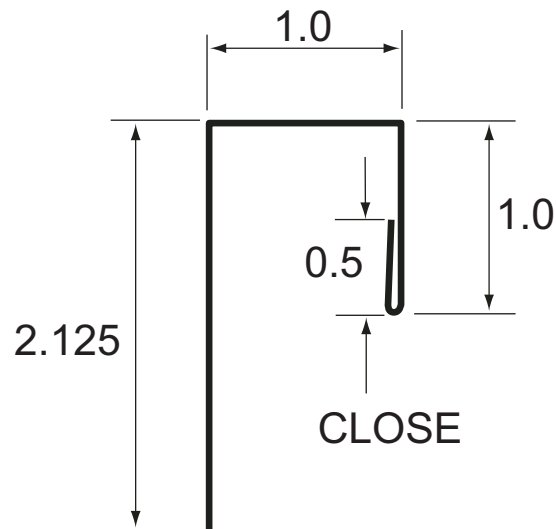
Revision Date: 12/15/2010  
Scale = 1:1



**Header J Trim, AG Panel**  
**S.O.: 4.625"**

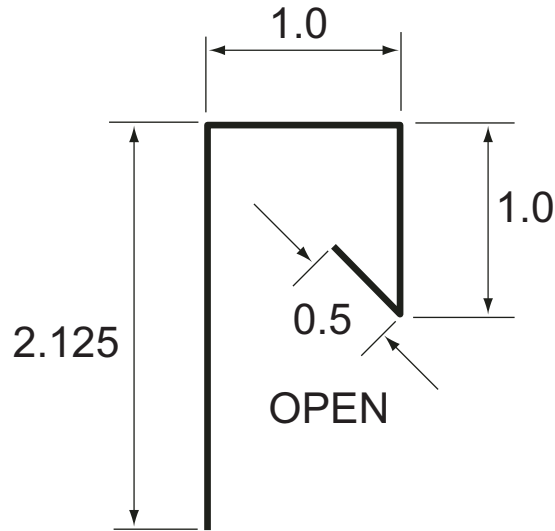
Revision Date: 12/02/2010

Scale = 1:1



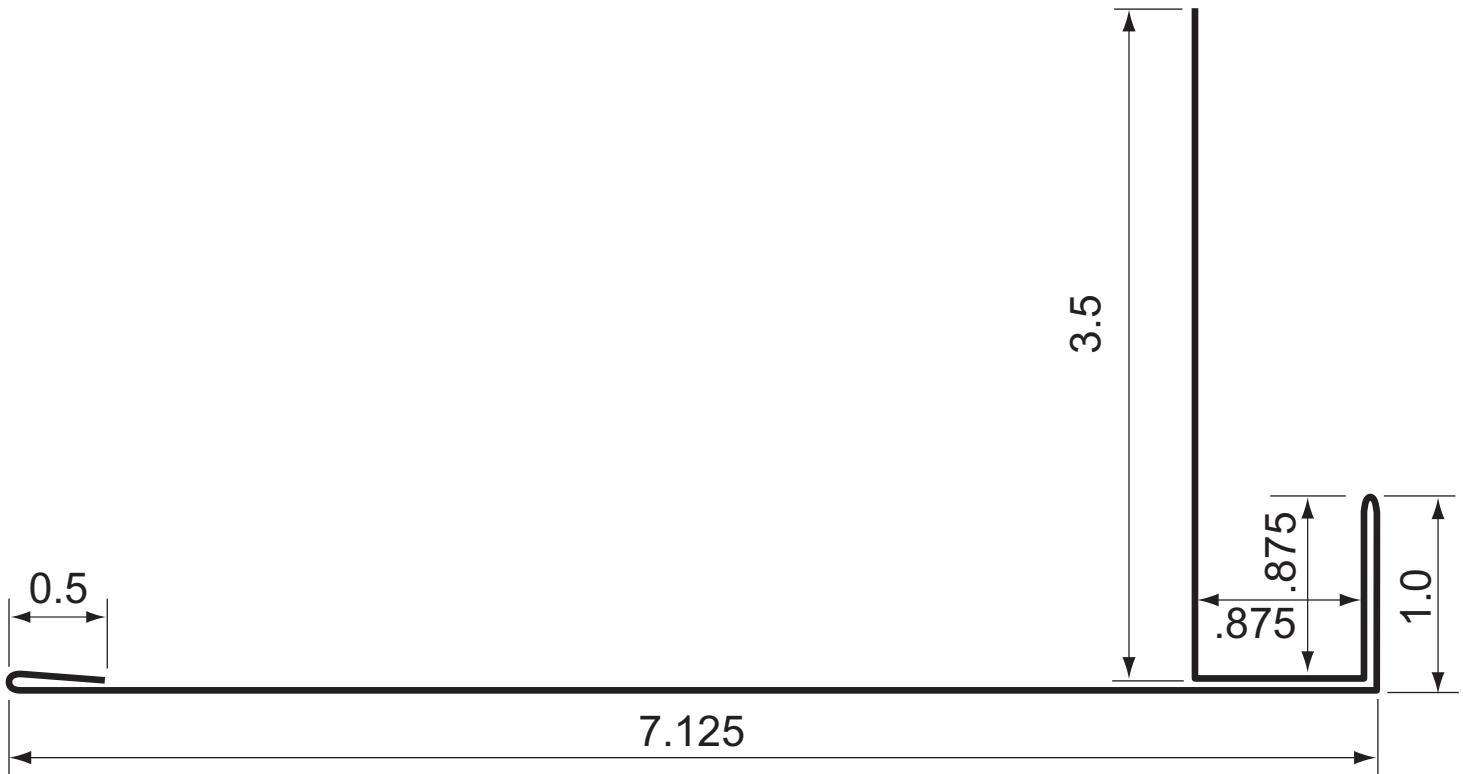
**Jamb J Trim, AG Panel**  
**S.O.: 4.625"**

Revision Date: 12/02/2010  
Scale = 1:1



**Overhead Door Trim AG Panel**  
**S.O.: 13.875"**

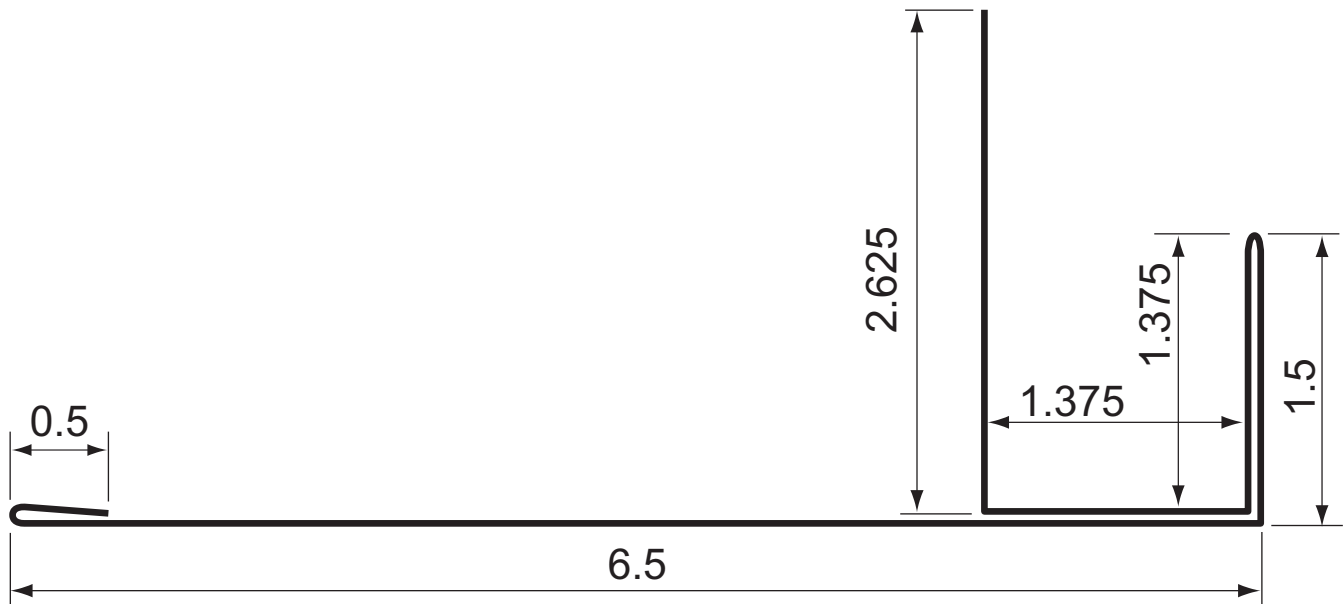
Revision Date: 12/15/2010  
Scale = 1:1



**Overhead Door Trim R Panel**  
**S.O.: 13.875"**

Revision Date: 12/15/2010

Scale = 1:1

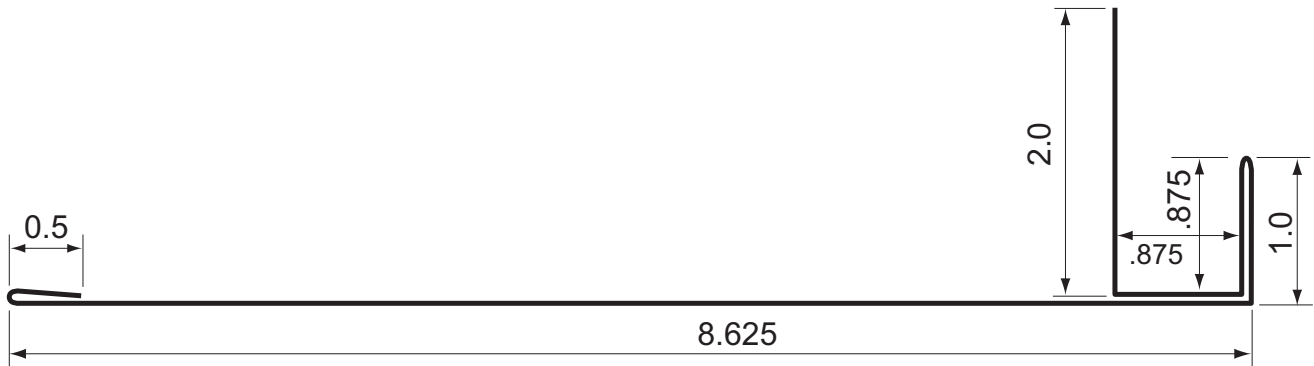


---

**Wide Overhead Door Trim AG Panel**  
**1.5" wider**  
**S.O.: 13.875"**

Revision Date: 1/27/2011

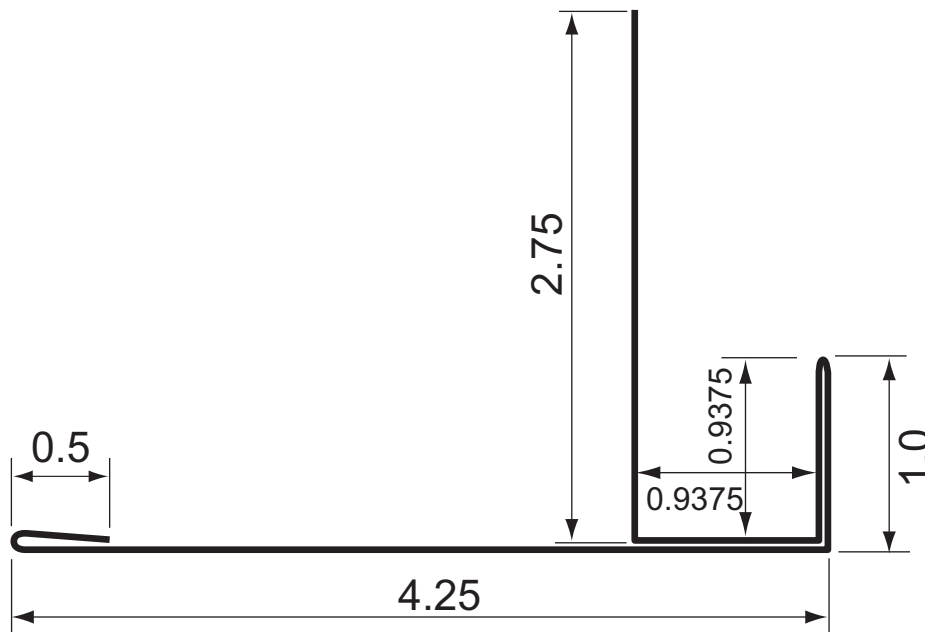
Scale = .75:1



**Overhead Door Trim AG**  
**3" Post**  
**S.O.: 10.375"**

Revision Date: 4/19/2010

Scale = 1:1

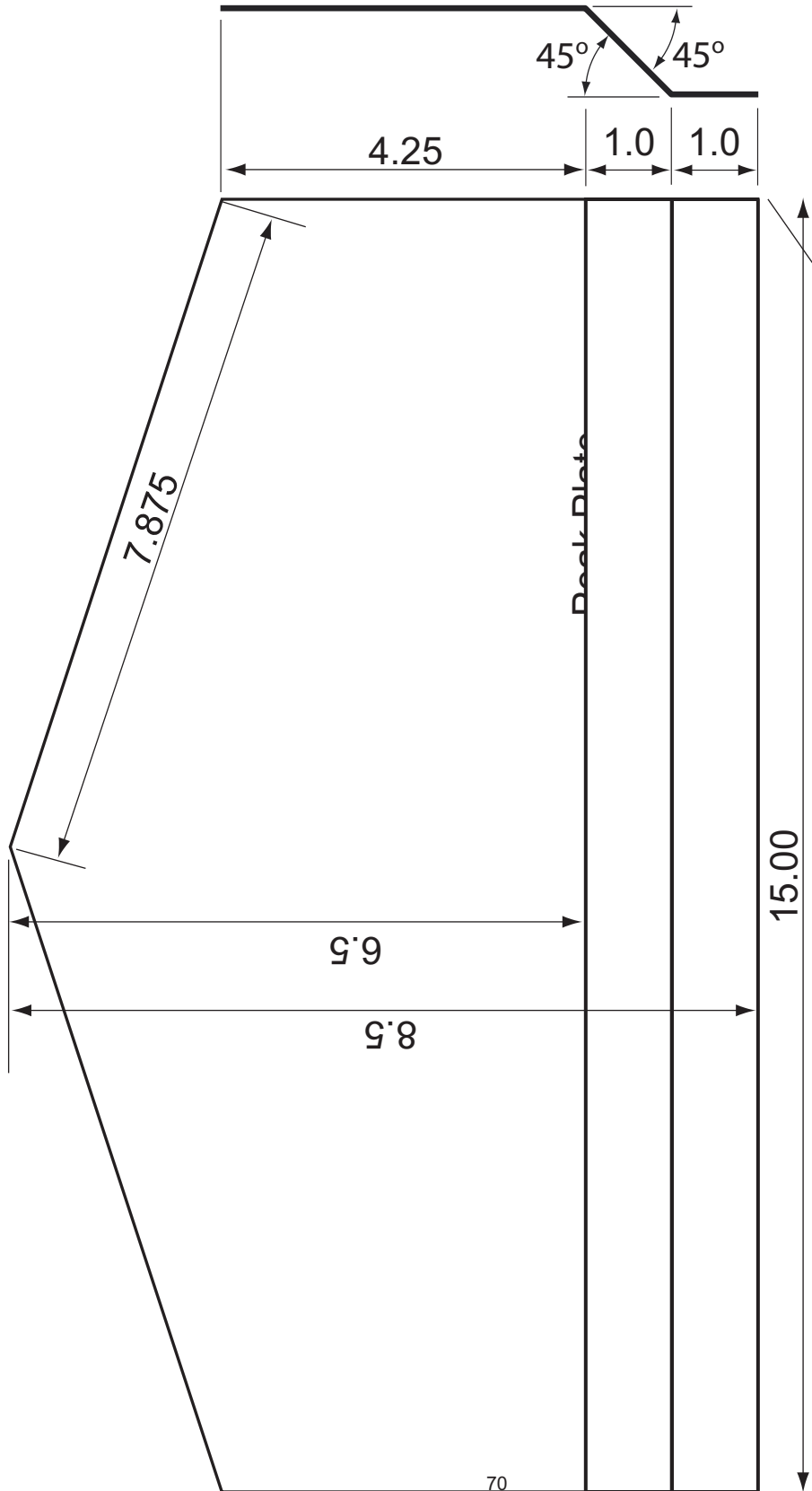




# Peak Plate

Revision Date: 10/11/2012

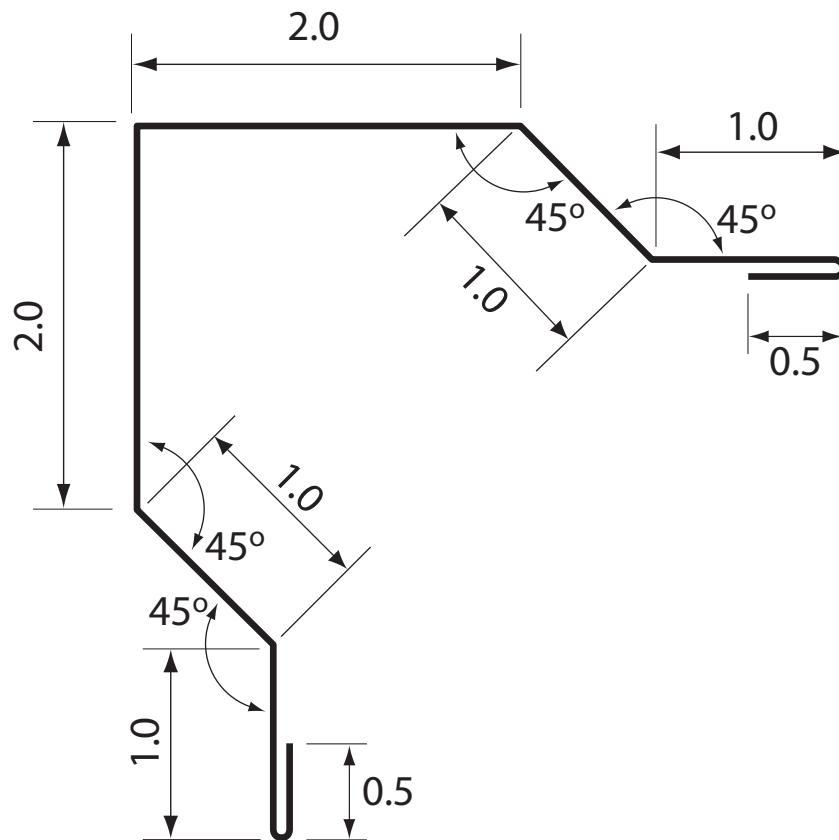
Scale = .5:1



**Rake & Corner Mini AG Panel**  
**S.O.: 9.0"**

Revision Date: 4/20/2010

Scale = 1:1



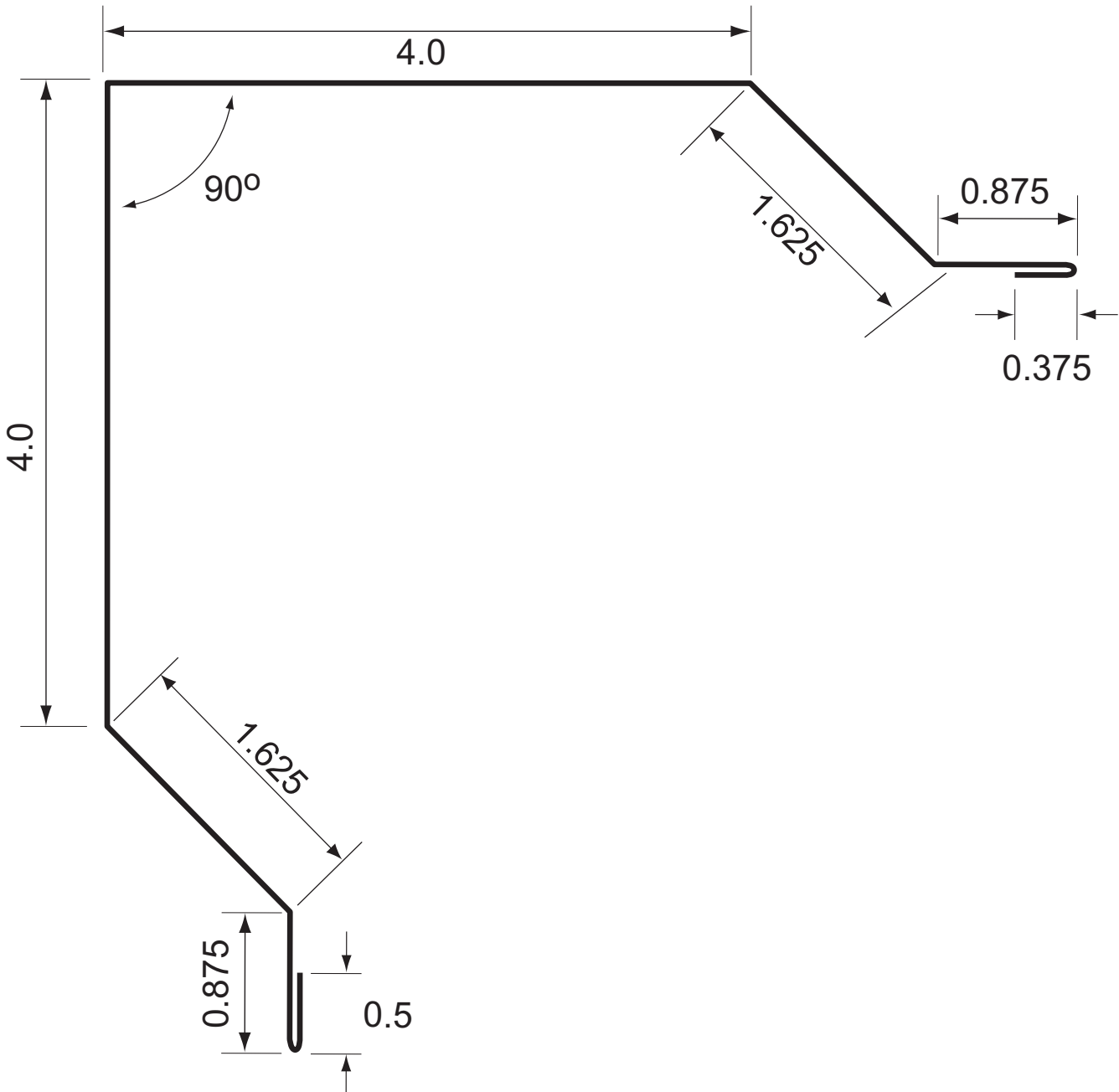
# Rake & Corner R Panel

Revision Date: 12/03/2010

**S.O.: 13.875"**

Scale = 1:1

all unlisted angles 45°



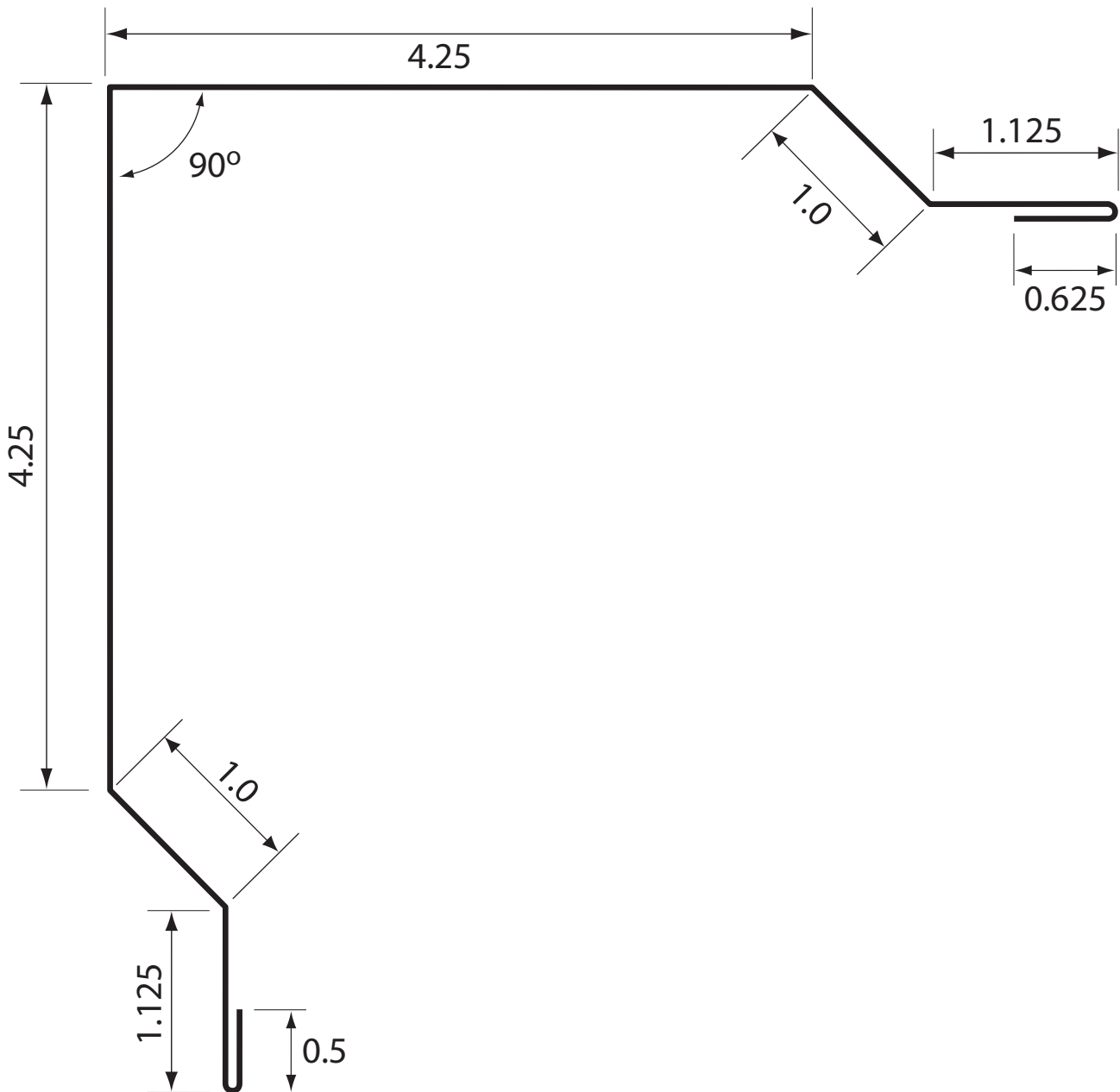
# Rake & Corner AG Panel

Revision Date: 12/03/2010

S.O.: 13.875"

Scale = 1:1

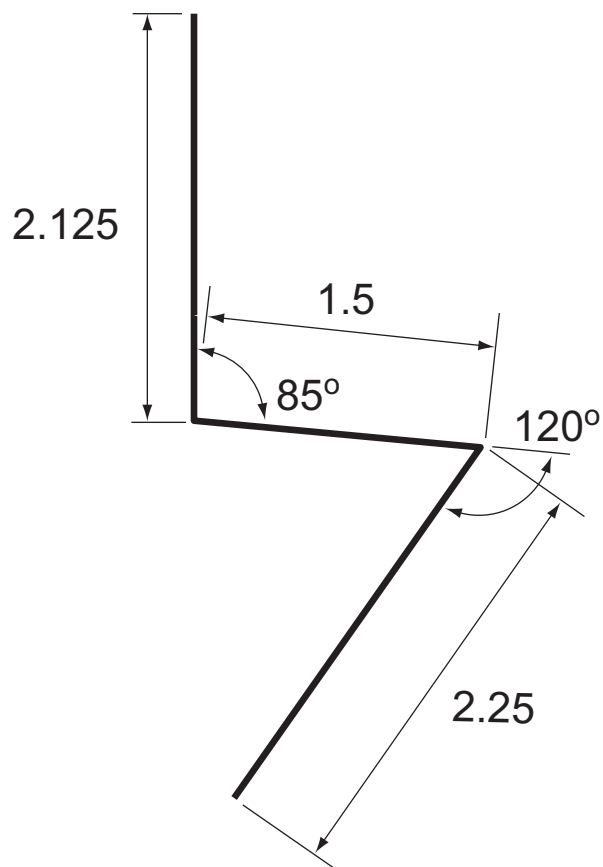
all unlisted angles 45°



**Rat Guard R Panel**  
**S.O.: 5.875"**

Revision Date: 12/15/2010

Scale = 1:1

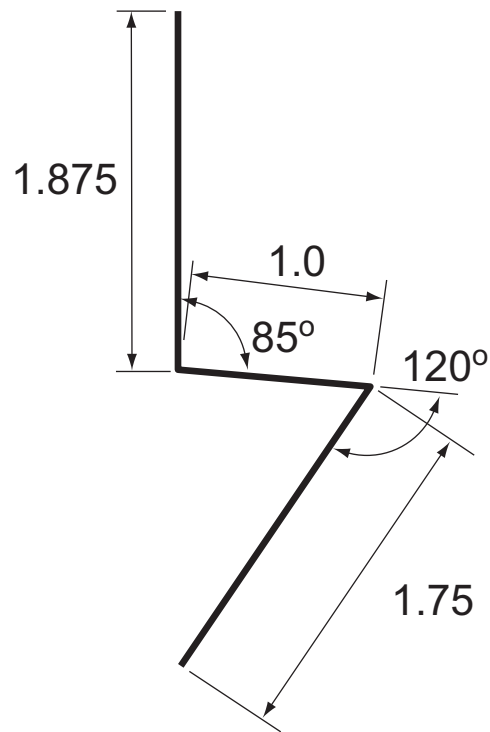


---

**Rat Guard AG Panel**  
**S.O.: 4.625"**

Revision Date: 12/15/2010

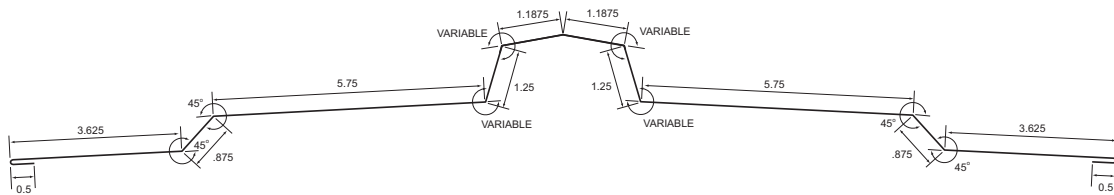
Scale = 1:1



**Sunsy Skylight Ridge Cap  
to match Sunsby Skylight  
S.O.: 26.375"**

Revision Date: 12/03/2012

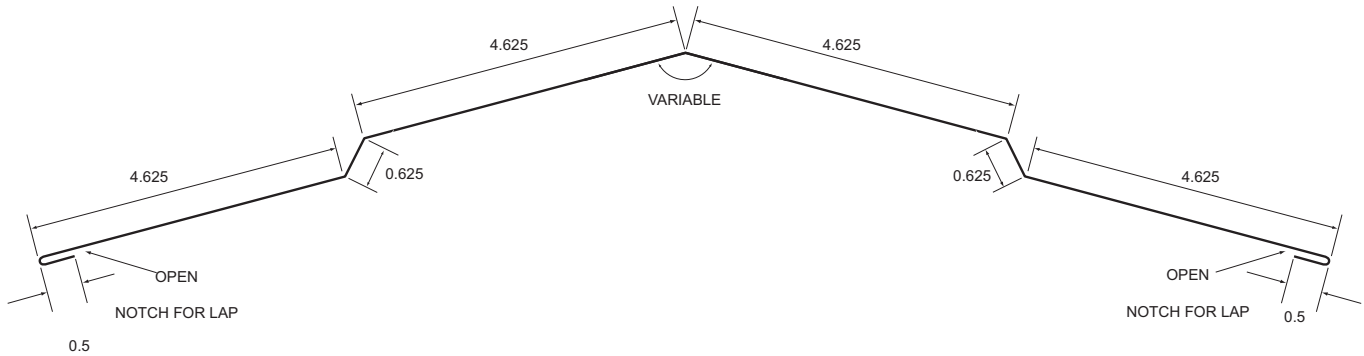
Scale = .25:1



**Wide Ridge Cap**  
**S.O.: 20.75 26 ga.**

Revision Date: 12/28/2010

Scale = .375:1

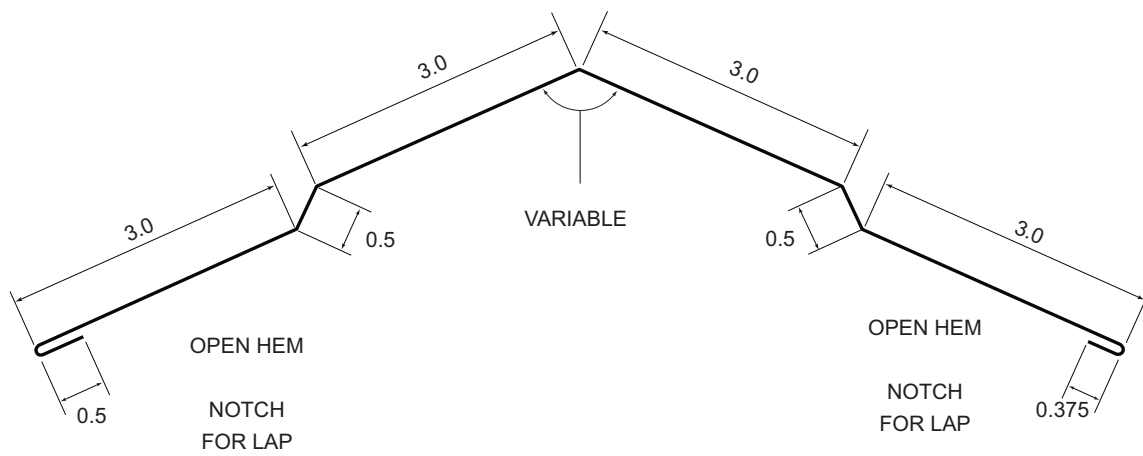




**Ridge Cap**  
**S.O.: 13.875"**

Revision Date: 1/07/2011

Scale = .5:1



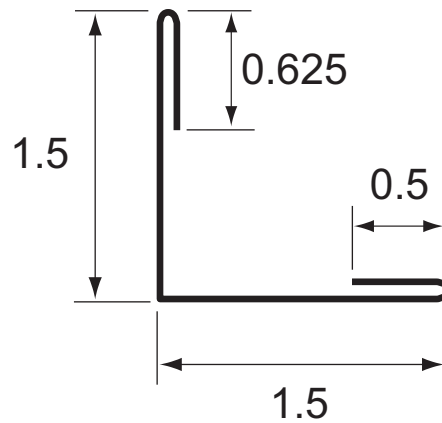
---

**Single Angle, 1.5x1.5**  
**S.O.: 4.125"**

Revision Date: 12/15/2010

Scale = 1:1

SPECIFY  
COLOR  
IN OR OUT



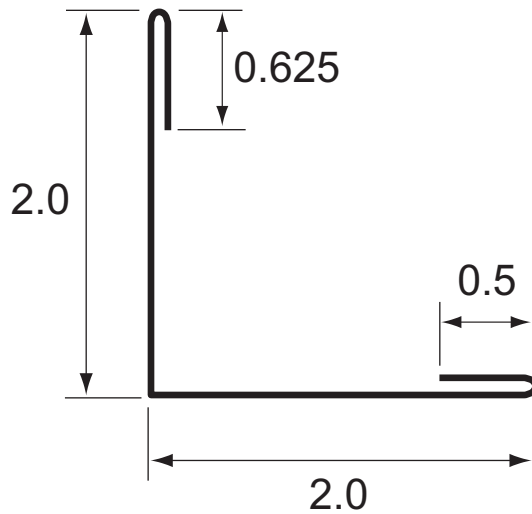
---

**Single Angle, 2x2**  
**S.O.: 5.125"**

Revision Date: 12/15/2010

Scale = 1:1

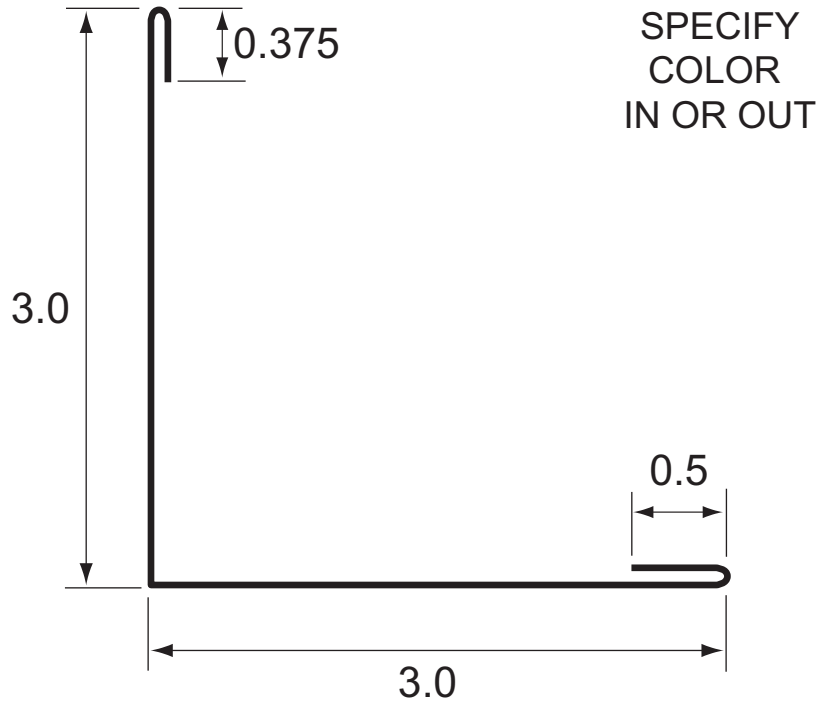
SPECIFY  
COLOR  
IN OR OUT



**Single Angle, 3x3**  
**S.O.: 6.875"**

Revision Date: 12/15/2010

Scale = 1:1



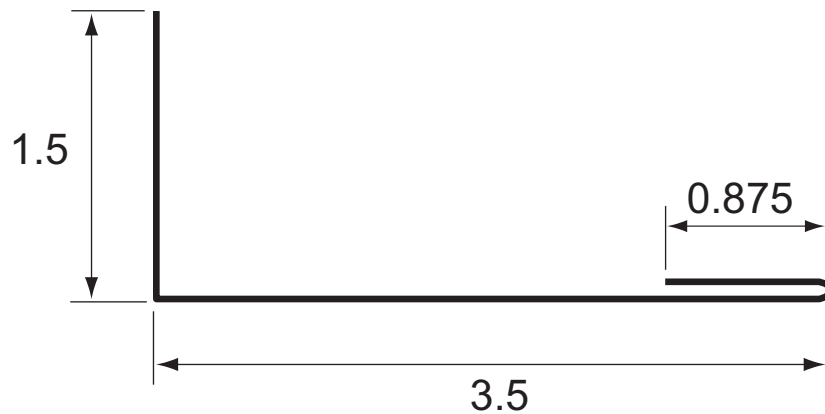
---

**Single Angle, 1.5x3.5**  
**S.O.: 5.875"**

Revision Date: 12/15/2010

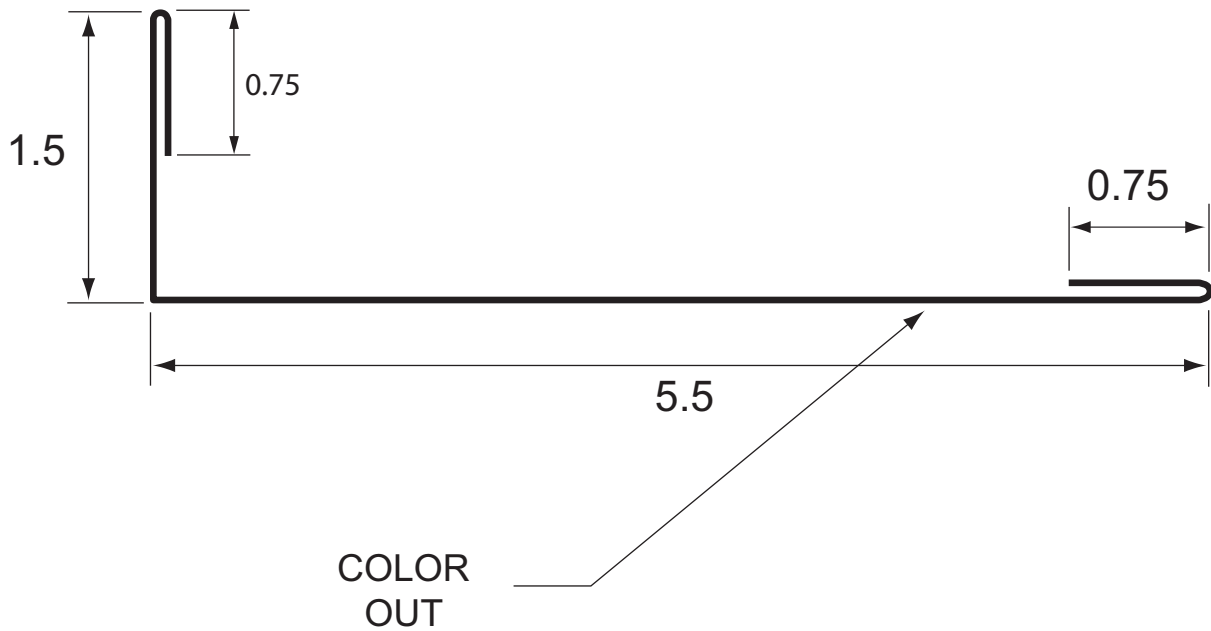
Scale = 1:1

SPECIFY  
COLOR  
IN OR OUT



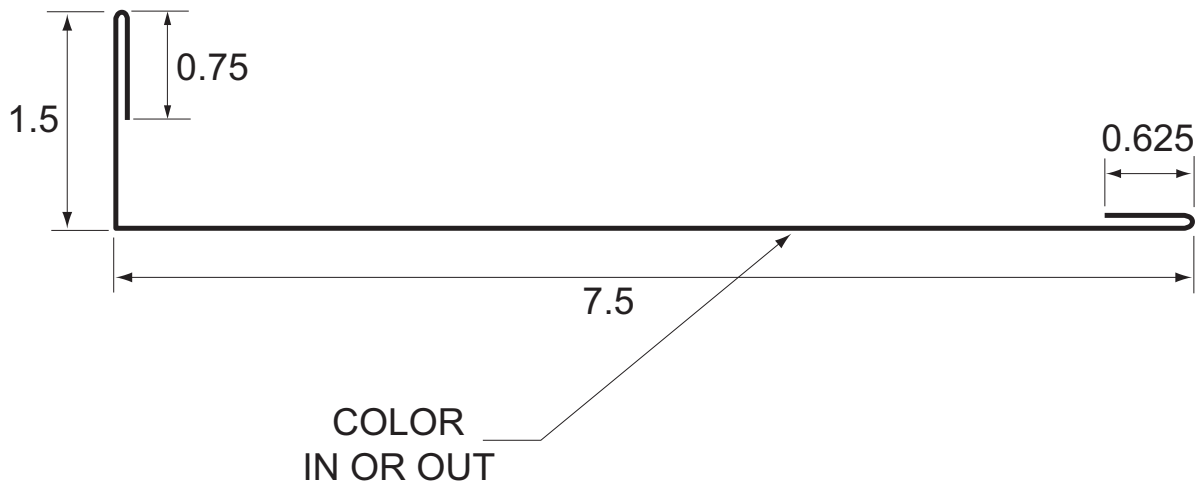
**Single Angle, 1.5x5.5**  
**S.O.: 8.25"**

Revision Date: 12/15/2010  
Scale = 1:1



**Single Angle, 1.5x7.5**  
**S.O.: 10.375"**

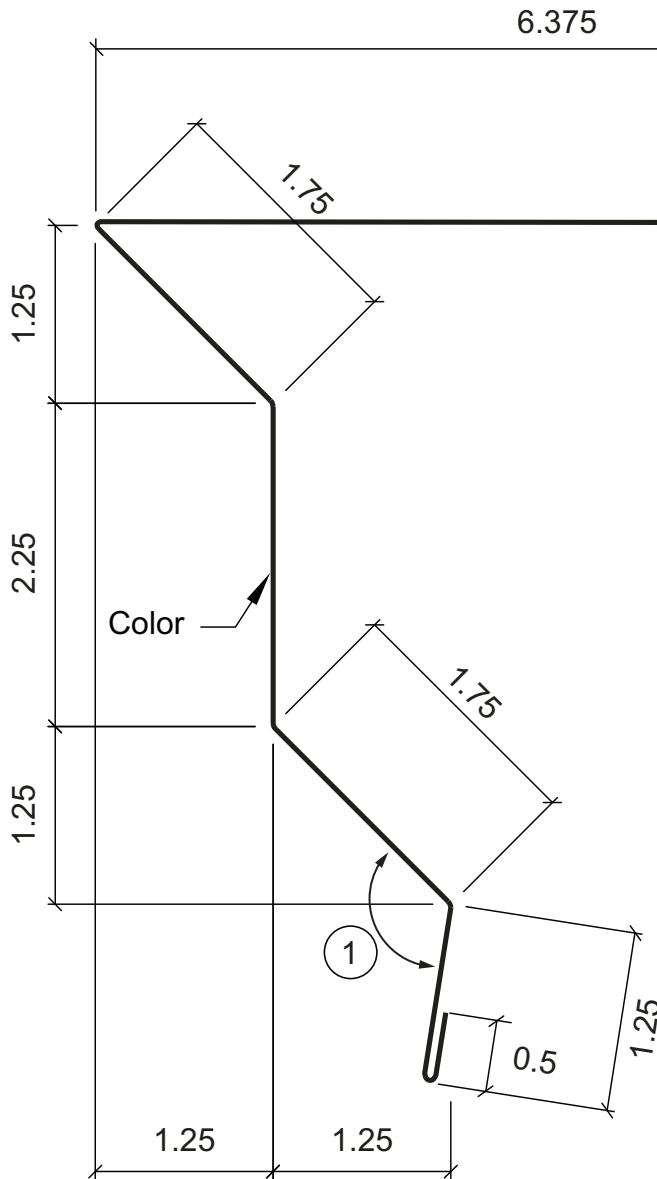
Revision Date: 12/15/2010  
Scale = .75:1



HEM SHORT OR LONG SIDE

**Shadow Eave Trim**  
**13.875" S.O.**

Revision Date: 2/10/2011  
Scale = .75:1



**CHART 1**

1:12	=	130°
2:12	=	126°
3:12	=	121°
4:12	=	117°
5:12	=	112°
6:12	=	108°

**NOTES:**

1. All bends are based on 90° or 45° unless noted.
2. All hems are 1/2" unless noted.
3. All inside radii are 1/16".

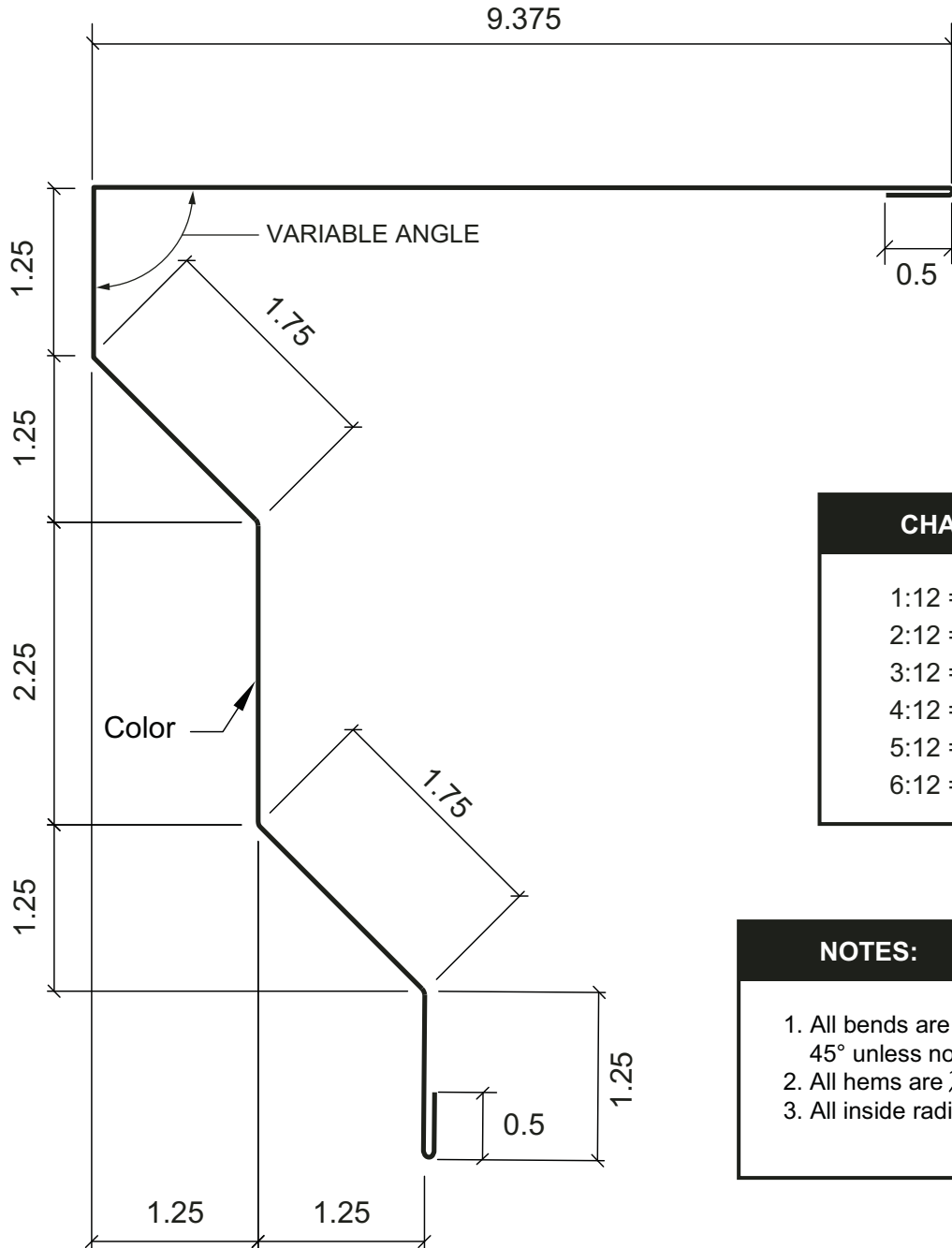


# Shadow High-Eve Half Ridge Trim

Revision Date: 4/03/2017

Scale = 1:1

S.O.: 18.125



### CHART 1

1:12	=	130°
2:12	=	126°
3:12	=	121°
4:12	=	117°
5:12	=	112°
6:12	=	108°

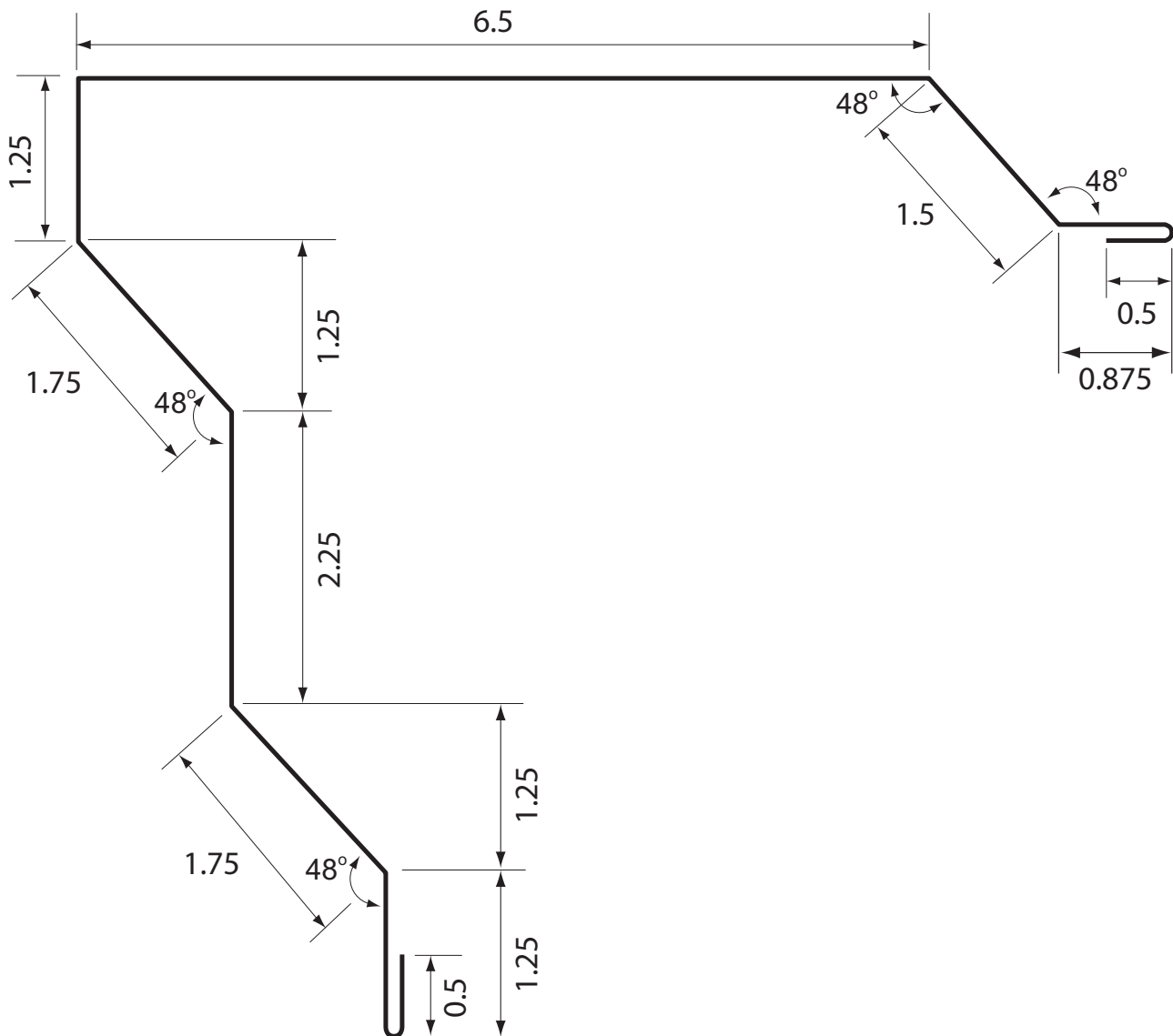
### NOTES:

1. All bends are based on 90° or 45° unless noted.
2. All hems are 1/2" unless noted.
3. All inside radii are 1/16".

**Shadow Rake Trim**  
**S.O. 18.125"**

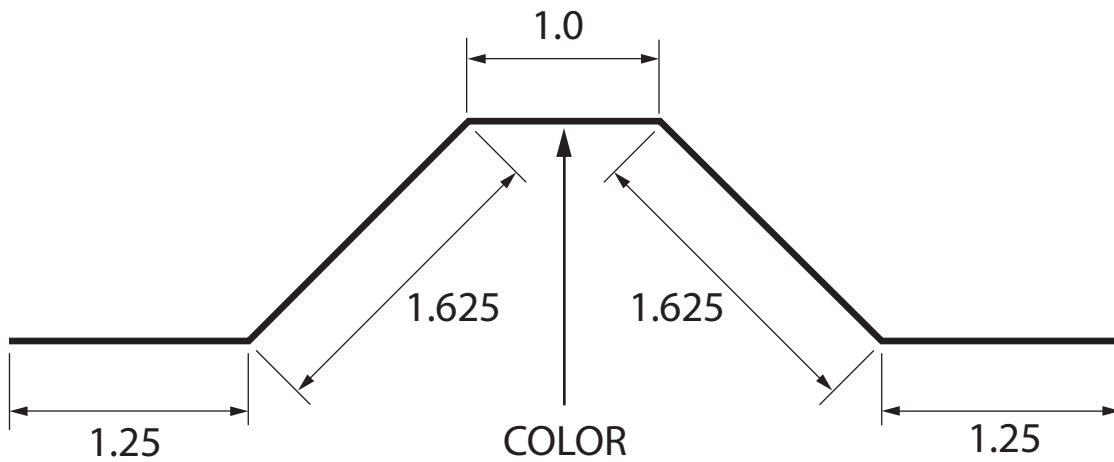
Revision Date: 9/21/2010

Scale = .75:1



**Skylight Trim**  
**S.O.: 6.875"**

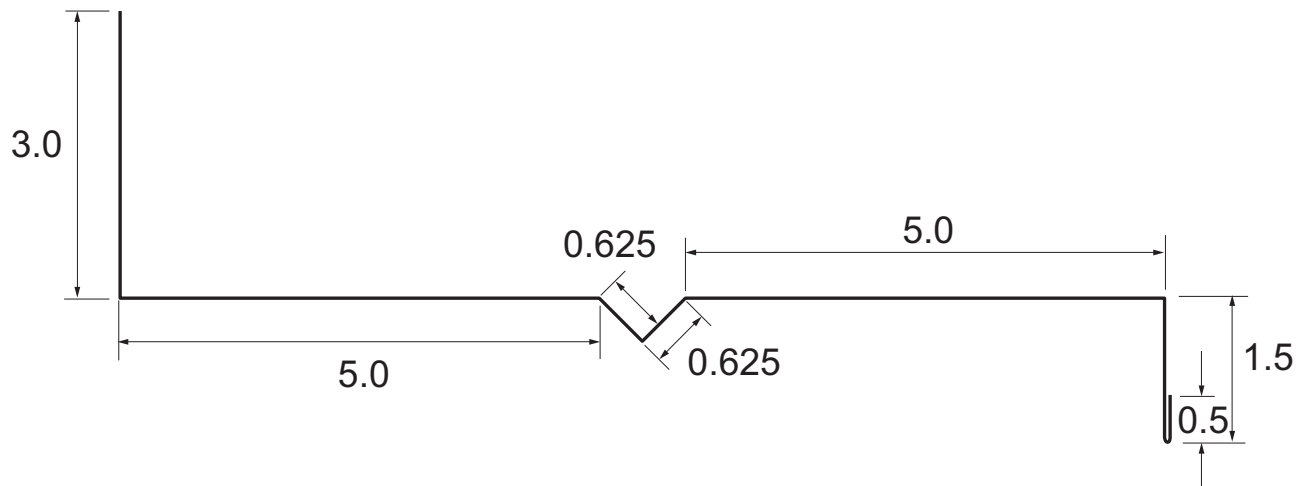
Revision Date: 3/01/2011  
Scale = 1:1



**Standard Soffit/Facia**  
**S.O.: 16.25"**

Revision Date: 12/28/2010

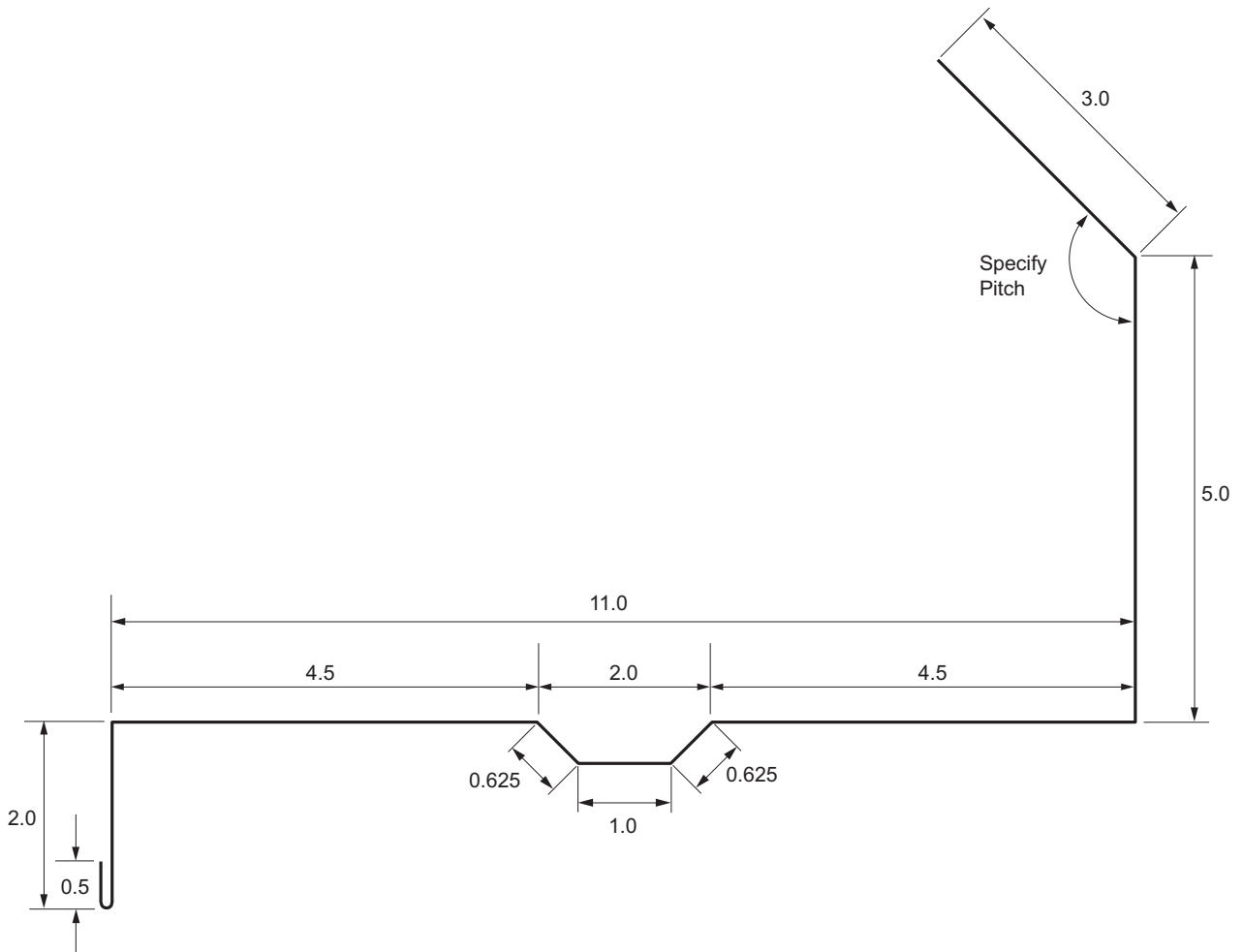
Scale = .5:1



**Soffit / Fascia**  
**S.O.: 21.75"**

Revision Date: 3/11/2011

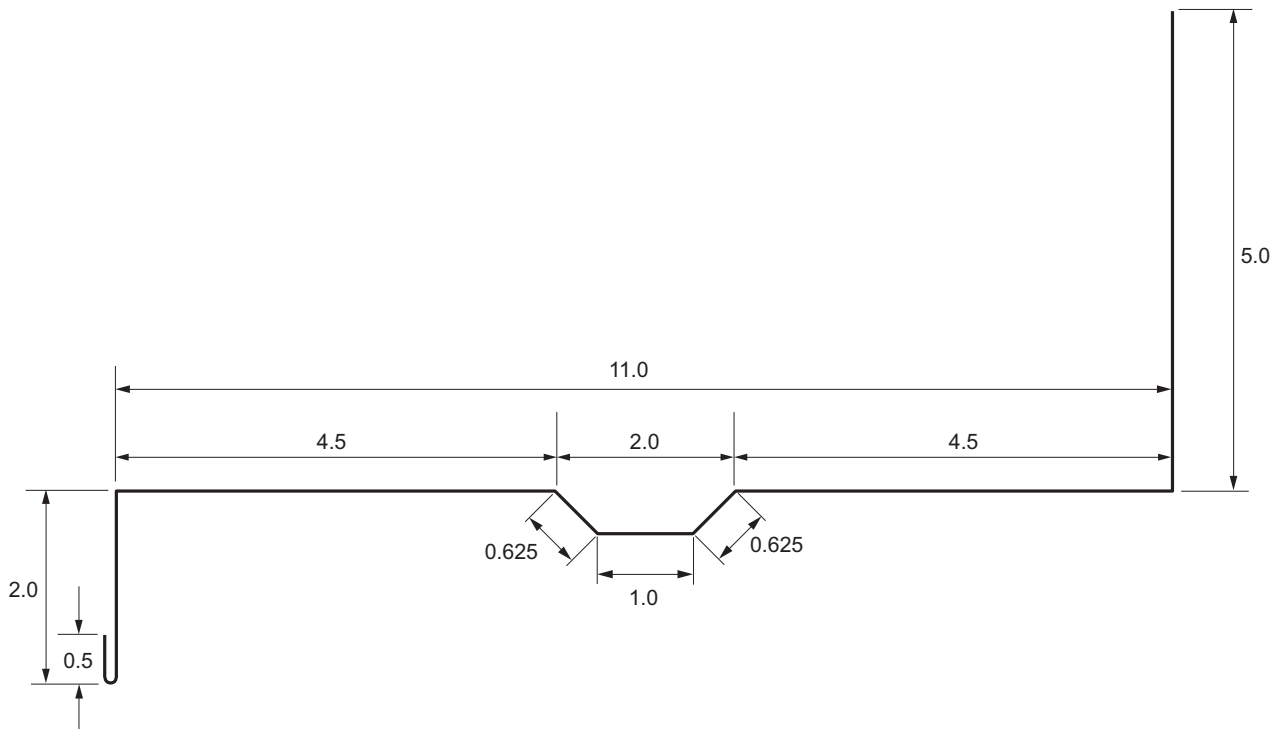
Scale = .5:1



**Soffit / Rake**  
**S.O.: 18.75 "**

Revision Date: 3/11/2011

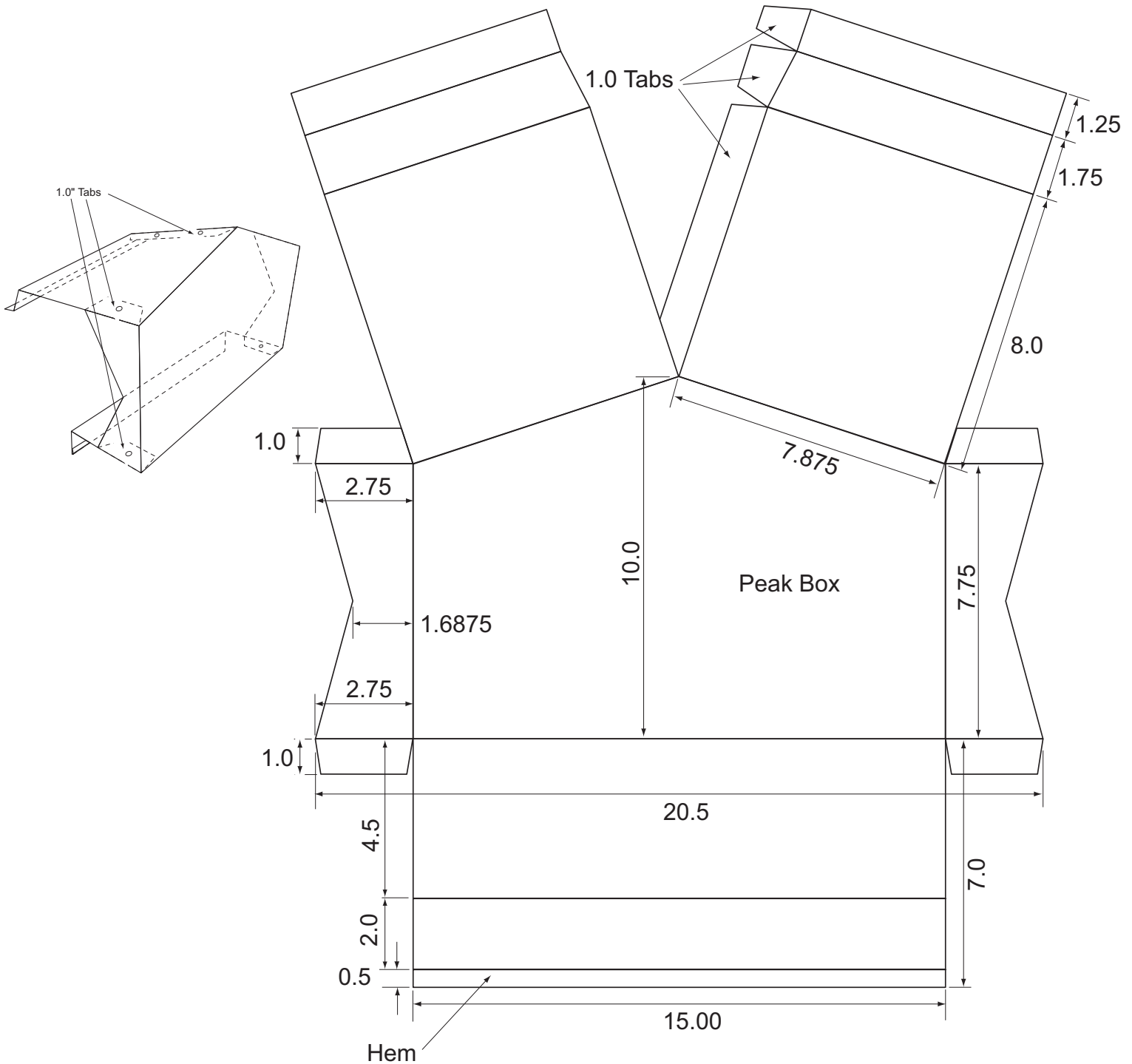
Scale = .5:1



# Sculptured Peak Box

Revision Date: 11/22/2010

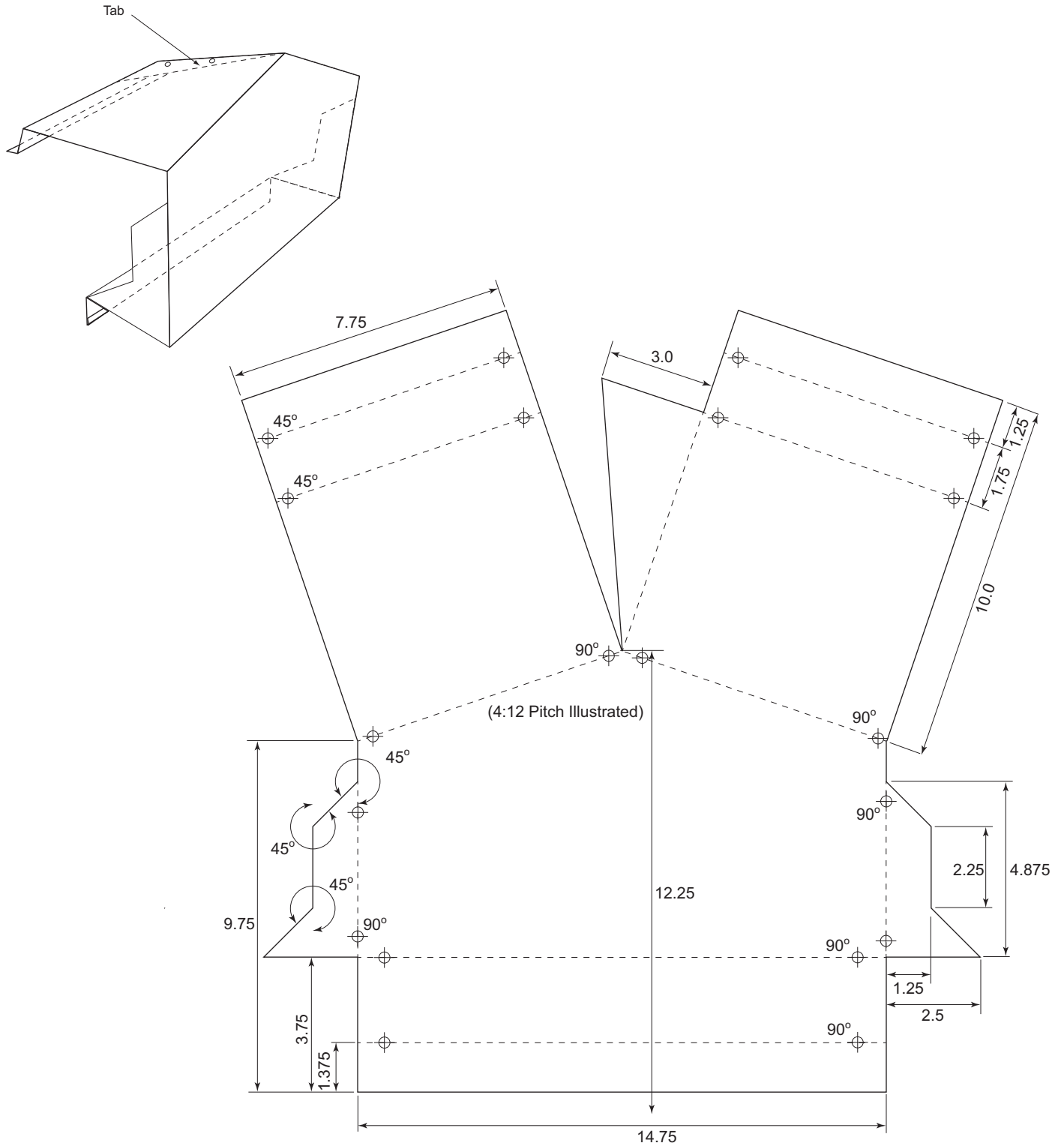
Scale = .25:1



# Shadow Peak Box

Revision Date: 11/22/2010

Scale = .25:1

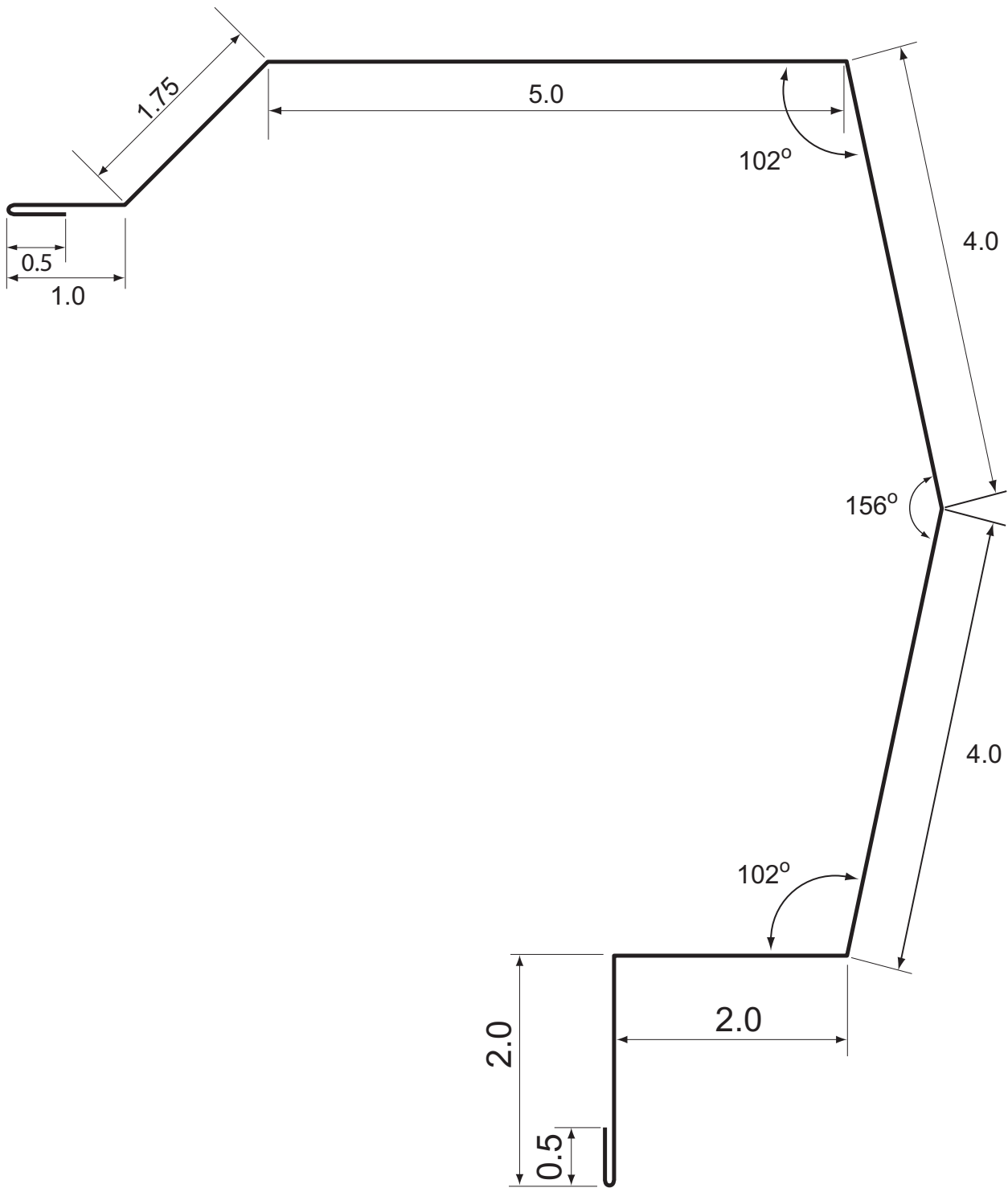




**Sculptured Rake Trim**  
**S.O.: 20.75"**

Revision Date: 12/28/2010

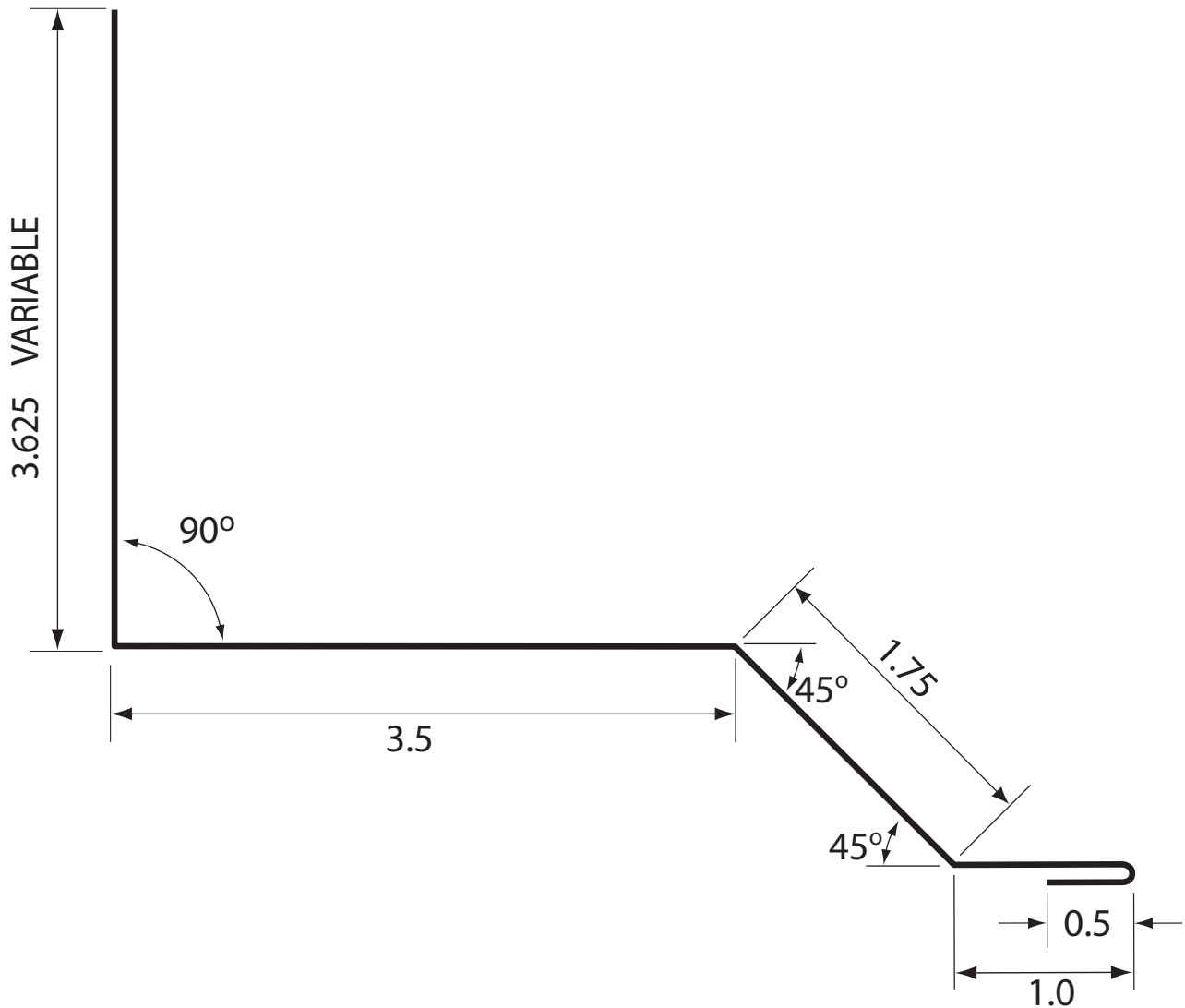
Scale = .75:1



**Sidewall Flashing R Panel**  
**S.O.: 10.375"**

Revision Date: 12/02/2010

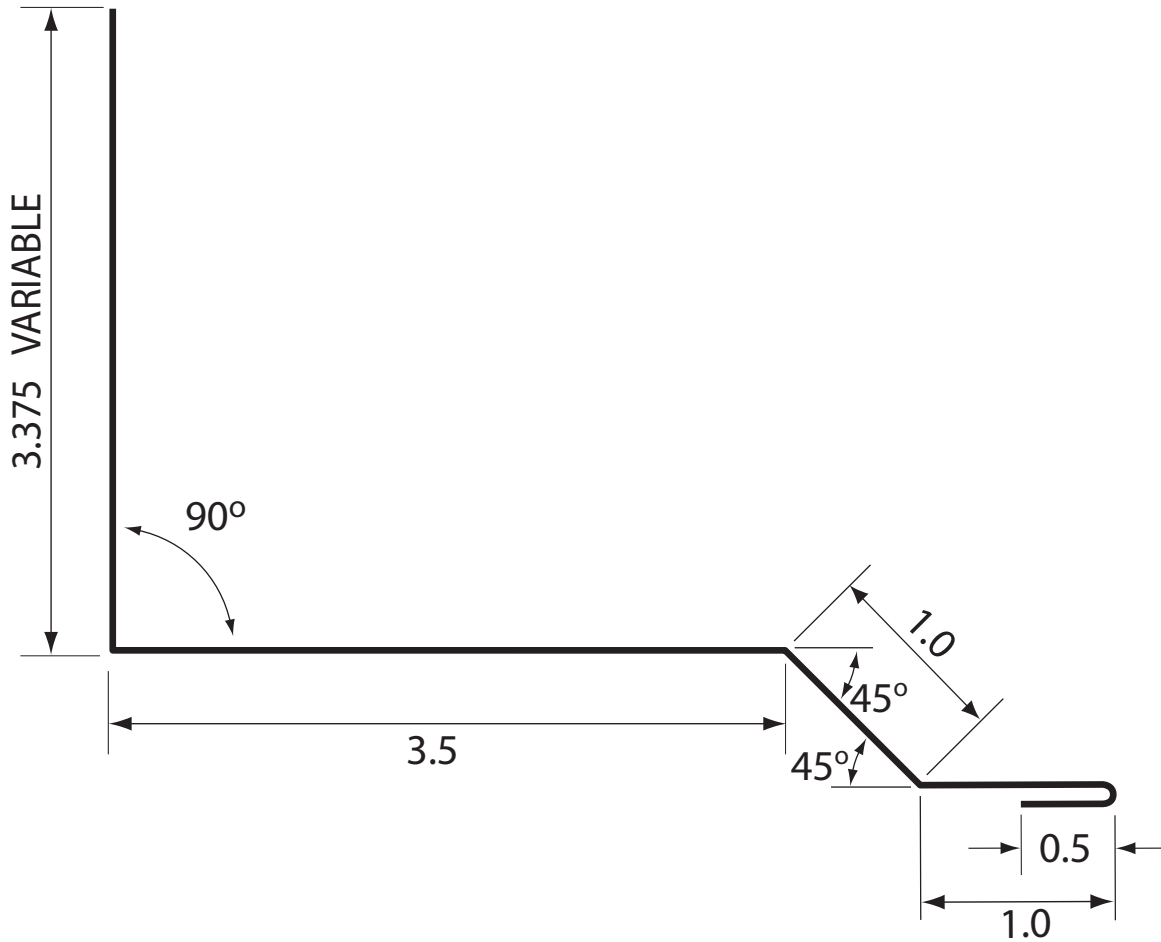
Scale = 1:1



**Sidewall Flashing AG Panel**  
**S.O.: 10.375"**

Revision Date: 12/02/2010

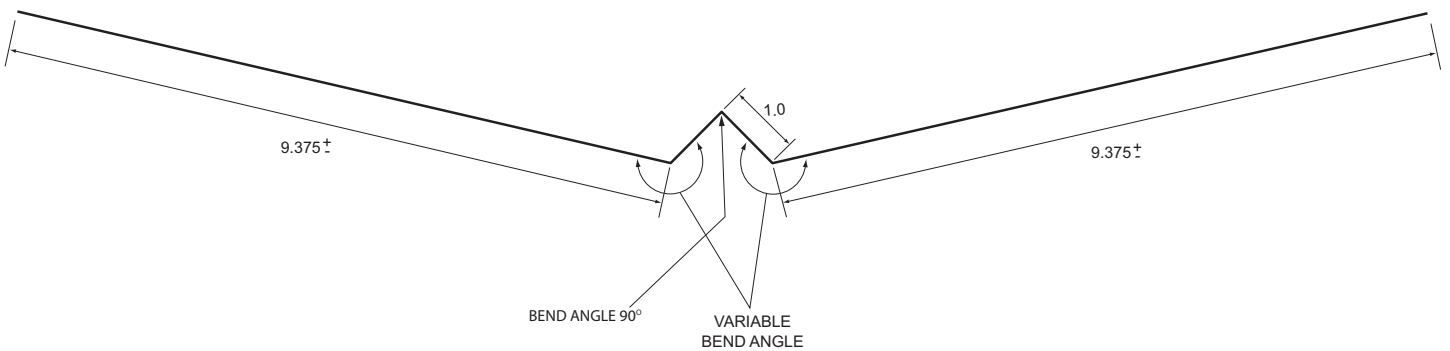
Scale = 1:1



**Valley Liner**  
**S.O.: 20.875"**

Revision Date: 11/15/2013

Scale = .75:1



**Change of Pitch Chart**

Ridge		Hip	
1:12	10	1:12	8
2:12	18	2:12	14
3:12	28	3:12	20
4:12	37	4:12	26
5:12	45	5:12	32
6:12	53	6:12	38
7:12	60	7:12	44
8:12	67	8:12	49
9:12	73	9:12	54
10:12	79	10:12	59
11:12	85	11:12	64
12:12	90	12:12	69

**Valley Pitches**

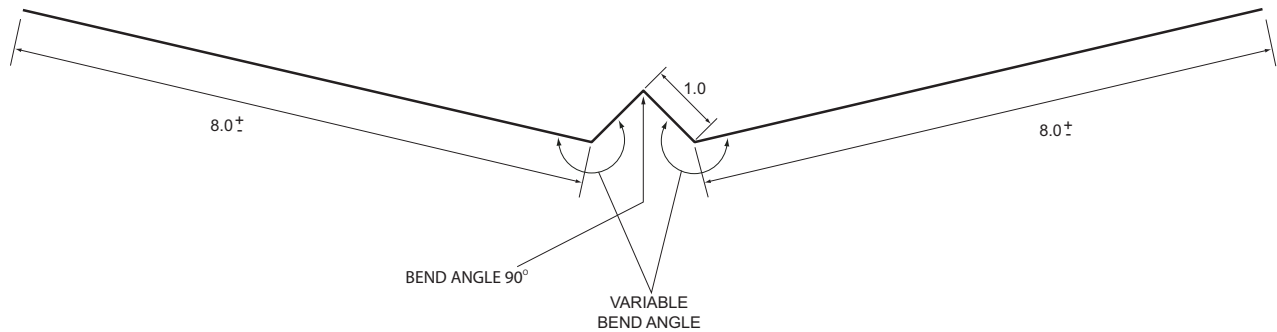
Roof Slope	W/ 90° Bend	WO/ W Bend
1:12	49	8
2:12	52	14
3:12	55	20
4:12	58	26
5:12	61	32
6:12	64	38
7:12	67	44
8:12	70	50
9:12	73	56
10:12	76	62
11:12	78	66
12:12	80	70

**Valley for 3' copper flat sheet**  
**S.O.: 18.0"**

Revision Date: 11/15/2013

Scale = .75:1

VAL\_\_COP



**Change of Pitch Chart**

Ridge		Hip	
1:12	10	1:12	8
2:12	18	2:12	14
3:12	28	3:12	20
4:12	37	4:12	26
5:12	45	5:12	32
6:12	53	6:12	38
7:12	60	7:12	44
8:12	67	8:12	49
9:12	73	9:12	54
10:12	79	10:12	59
11:12	85	11:12	64
12:12	90	12:12	69

**Valley Pitches**

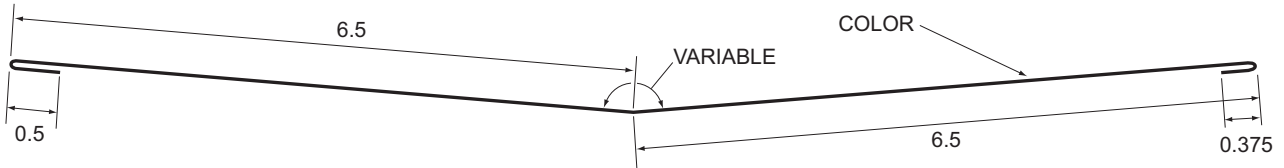
Roof Slope	W/ 90° Bend	WO/W Bend
1:12	49	8
2:12	52	14
3:12	55	20
4:12	58	26
5:12	61	32
6:12	64	38
7:12	67	44
8:12	70	50
9:12	73	56
10:12	76	62
11:12	78	66
12:12	80	70

---

**Valley Cover**  
**S.O.: 13.875"**

Revision Date: 12/15/2010

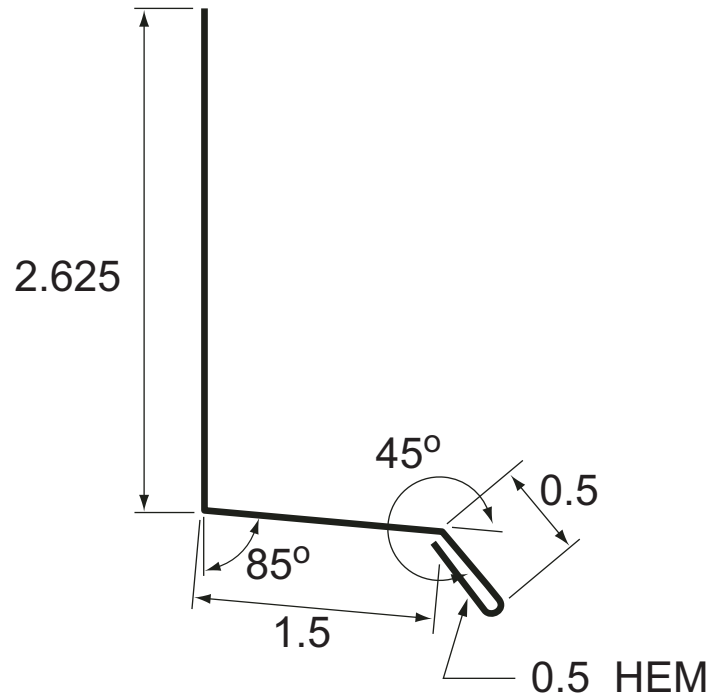
Scale = .5:1



**Drip Cap R**  
**S.O.: 5.25"**

Revision Date: 12/28/2010

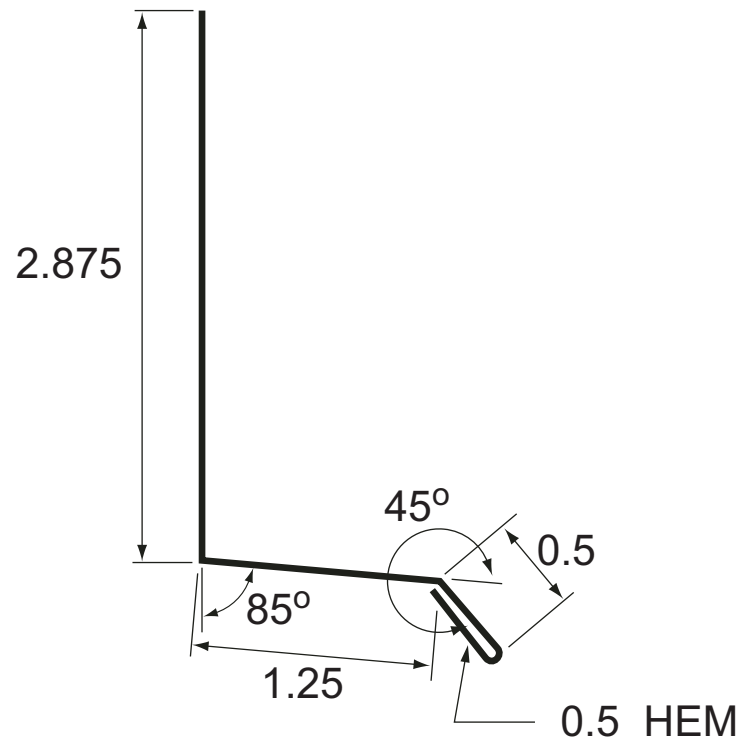
Scale = 1:1



**Drip Cap AG**  
**S.O.: 5.125"**

Revision Date: 12/15/2010

Scale = 1:1



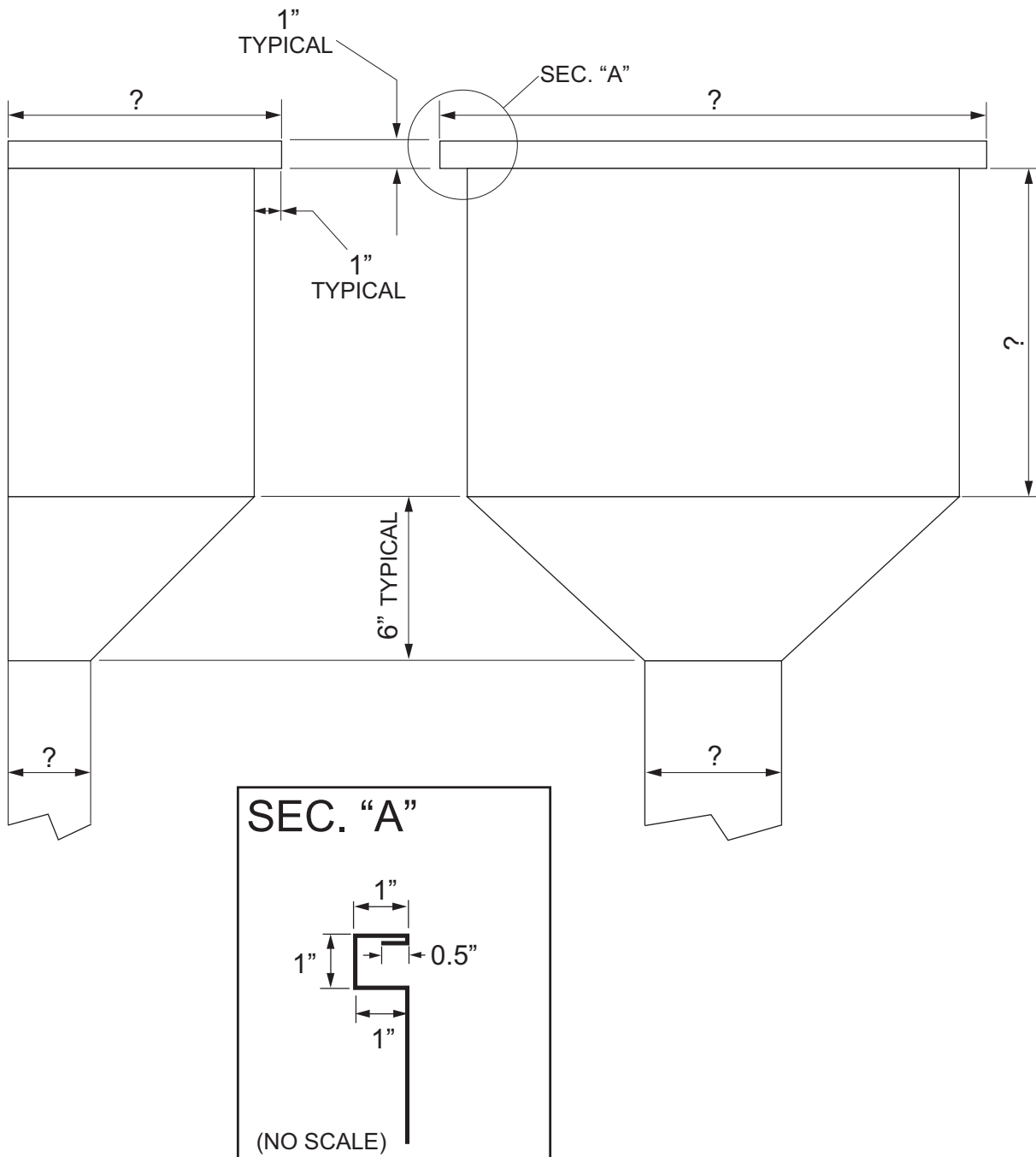


# Collector Head

12" OR LESS WIDE, SMALL  
MORE THAN 12" WIDE, LARGE

Revision Date: 04/10/2014

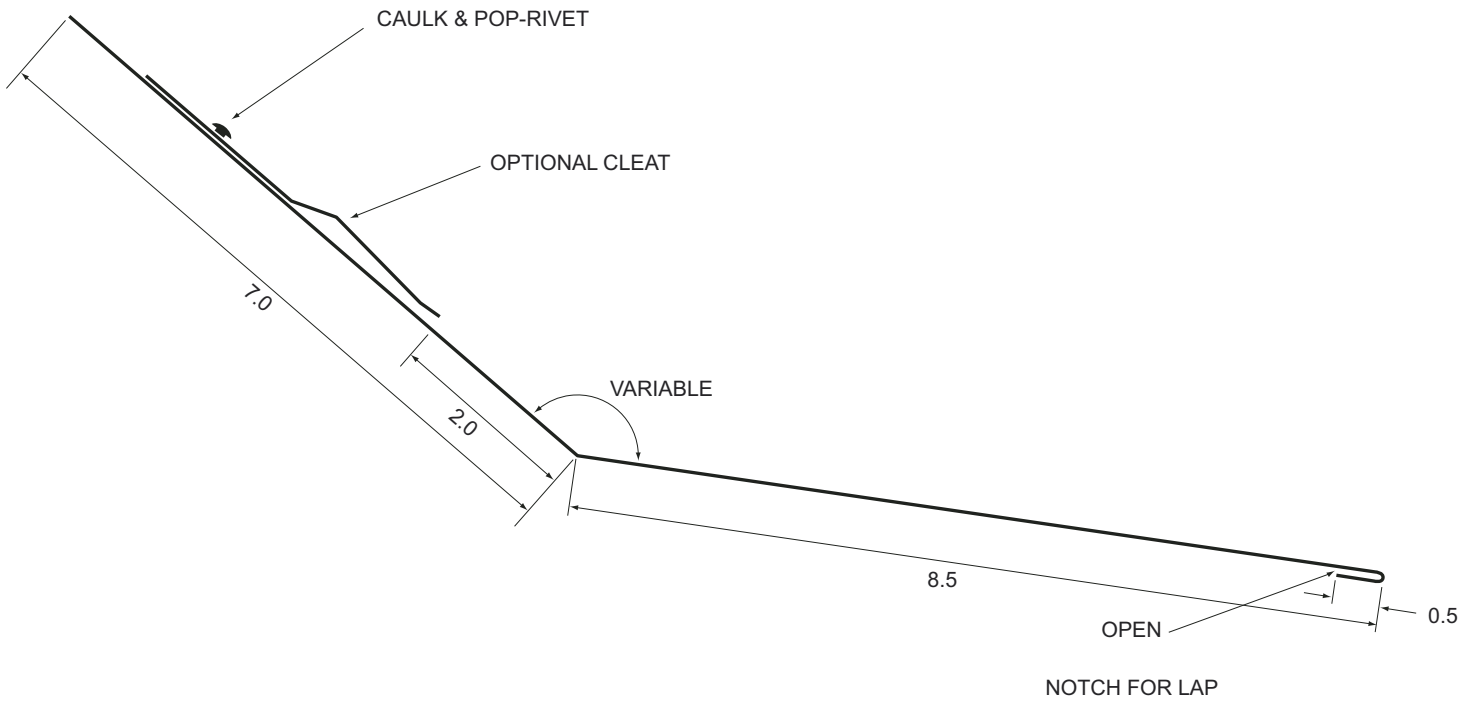
Scale = 6":1"



**Change of Pitch 16"**  
**S.O.: 16.0"**

Revision Date: 3/10/2010

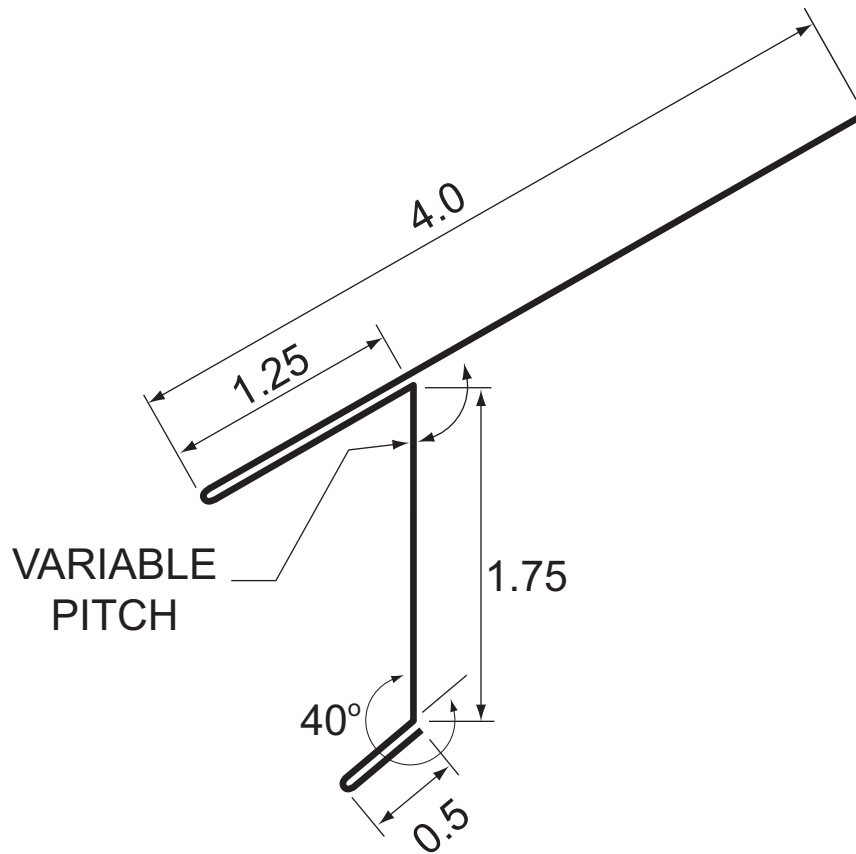
Scale = .5:1



**Drip Metal**  
**S.O.: 8.0"**

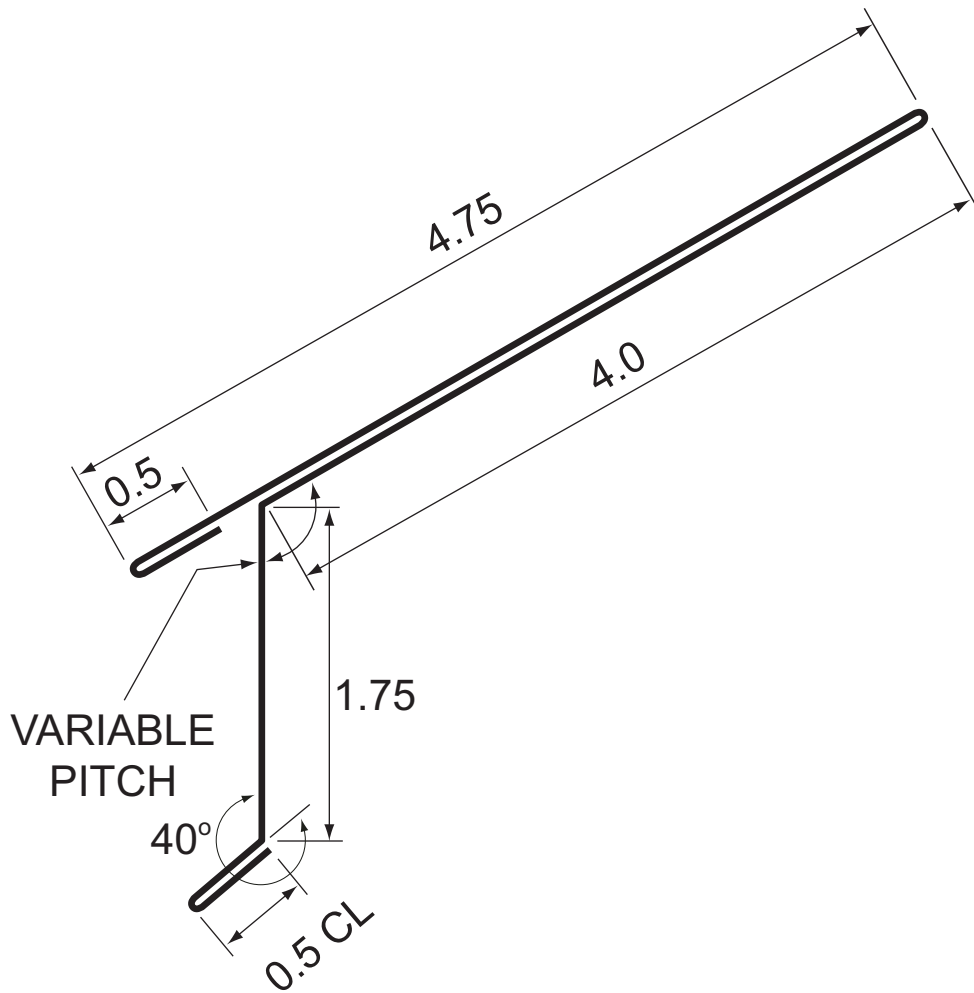
Revision Date: 4/19/2010

Scale = 1:1



**Drip Metal - Steep Pitch**  
**S.O.: 12.0"**

Revision Date: 12/16/2010  
Scale = 1:1

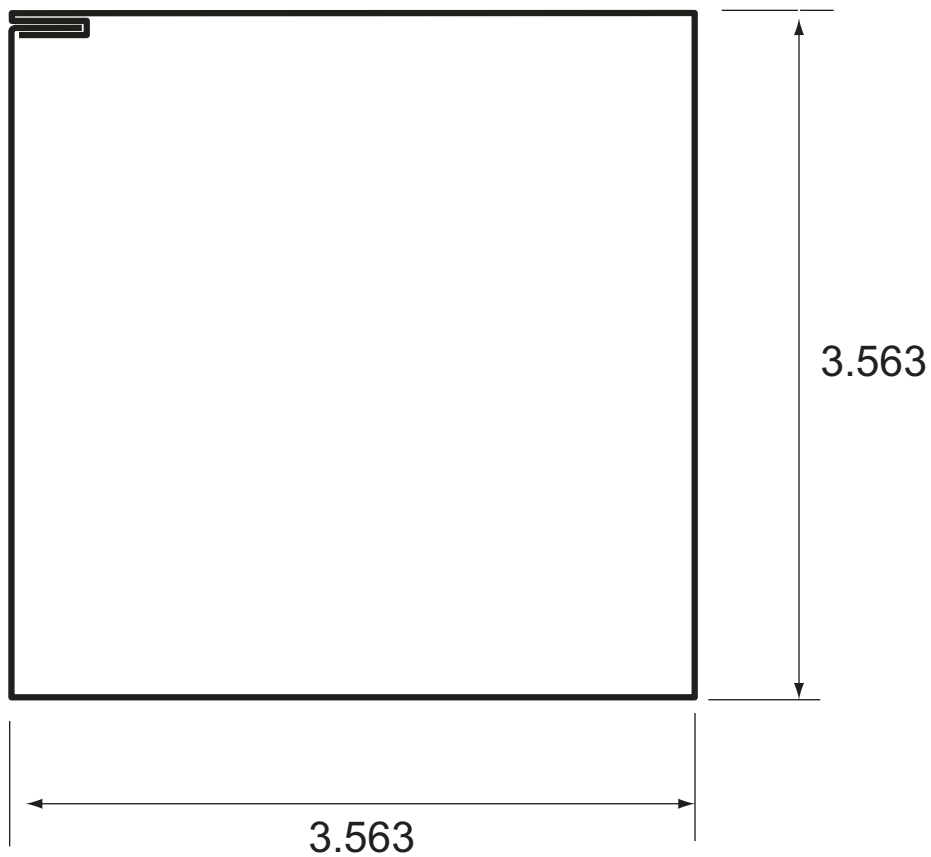


---

**4 x 4 Downspout, for 24GA**  
**S.O.: 16.0"**

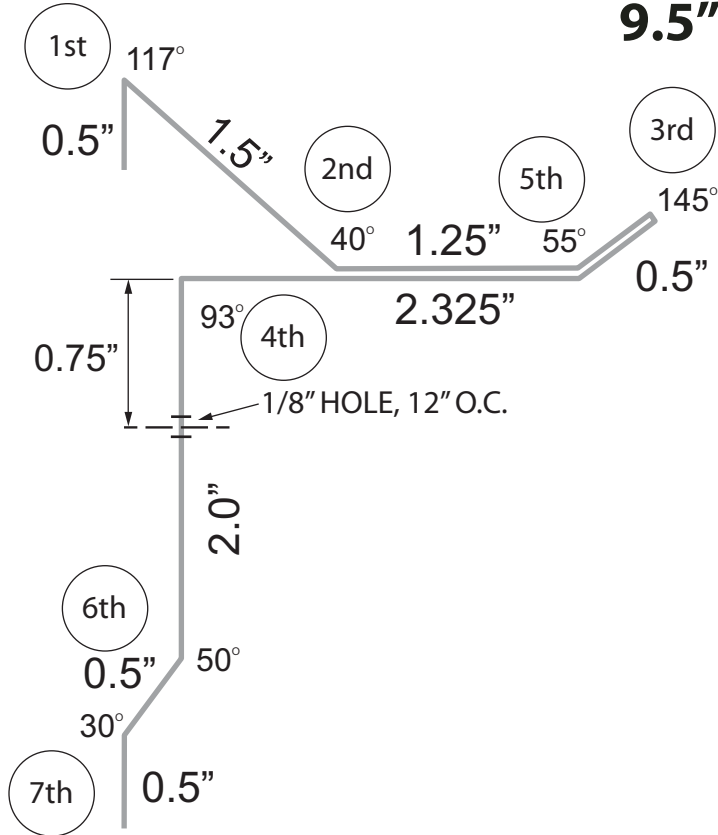
Revision Date: 4/19/2010

Scale = 1:1

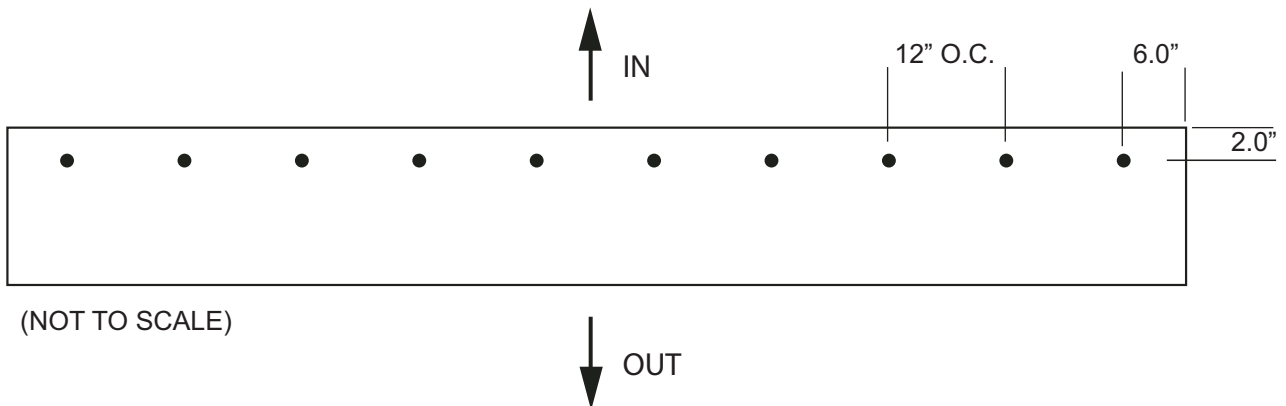


**ES-1 4.0 CLEAT 22 GA GALVANIZED**  
**9.5" S.O.**

Rev Date: 3/31/2014  
Scale = 1:1



PROGRAM			
1 -	117	9.069	180
2 -	40	7.50	180
3 -	145	5.759	180
4 -	93	3.0	180
5 -	55	.519	180 Drip
6 -	50	1.0	180
7 -	33	0.5	180



(NOT TO SCALE)

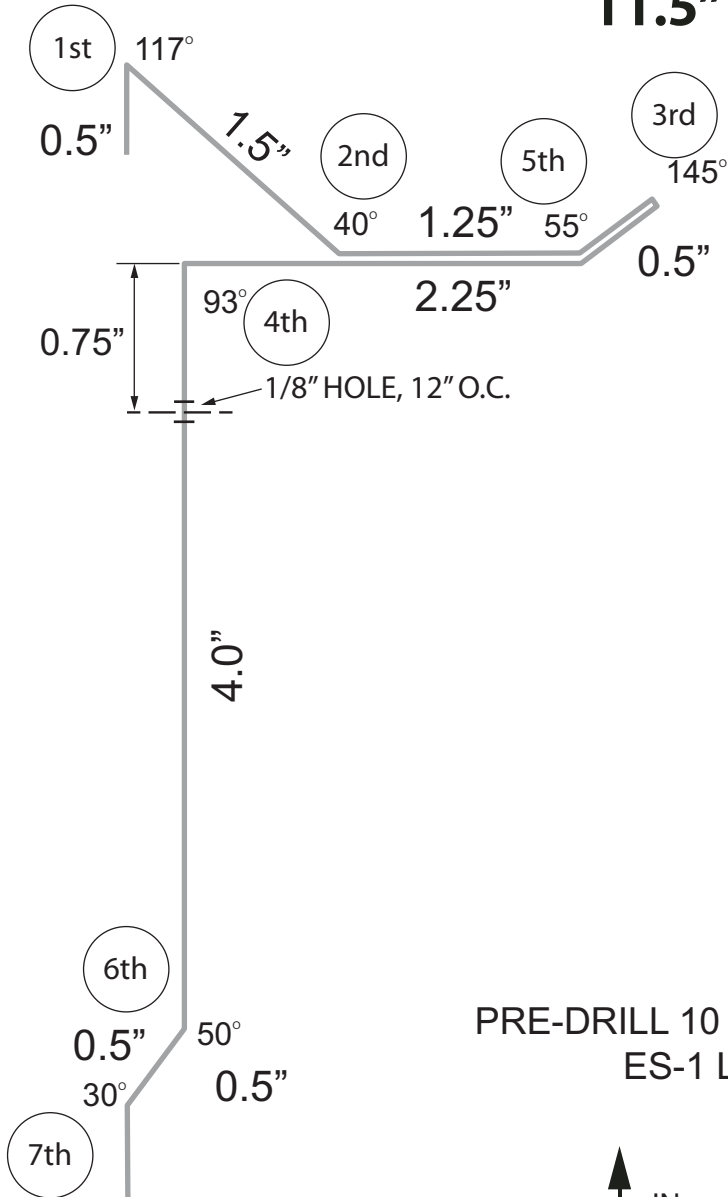
PRE-DRILL 10 EA. 1/8" DIAMETER HOLES  
ES-1 LABEL EACH PIECE

ZES1CLEEDG4

**ES-1 6.0 CLEAT 22 GA GALVANIZED**  
**11.5" S.O.**

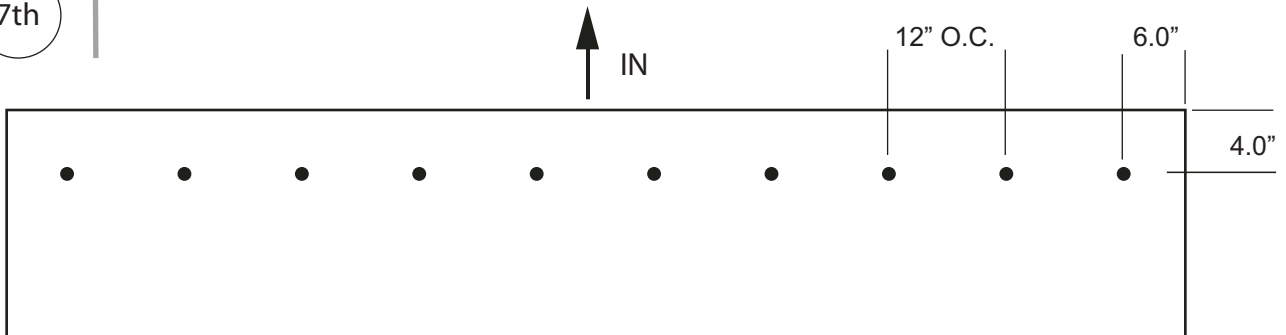
Rev Date: 3/31/2014

Scale = 1:1



PROGRAM			
1 -	115	11.125	180
2 -	40	9.50	180
3 -	140	7.759	180
4 -	93	5.0	180
5 -	55	.519	180 Drip
6 -	50	1.0	180
7 -	30	0.5	180

PRE-DRILL 10 EA. 1/8" DIAMETER HOLES  
ES-1 LABEL EACH PIECE

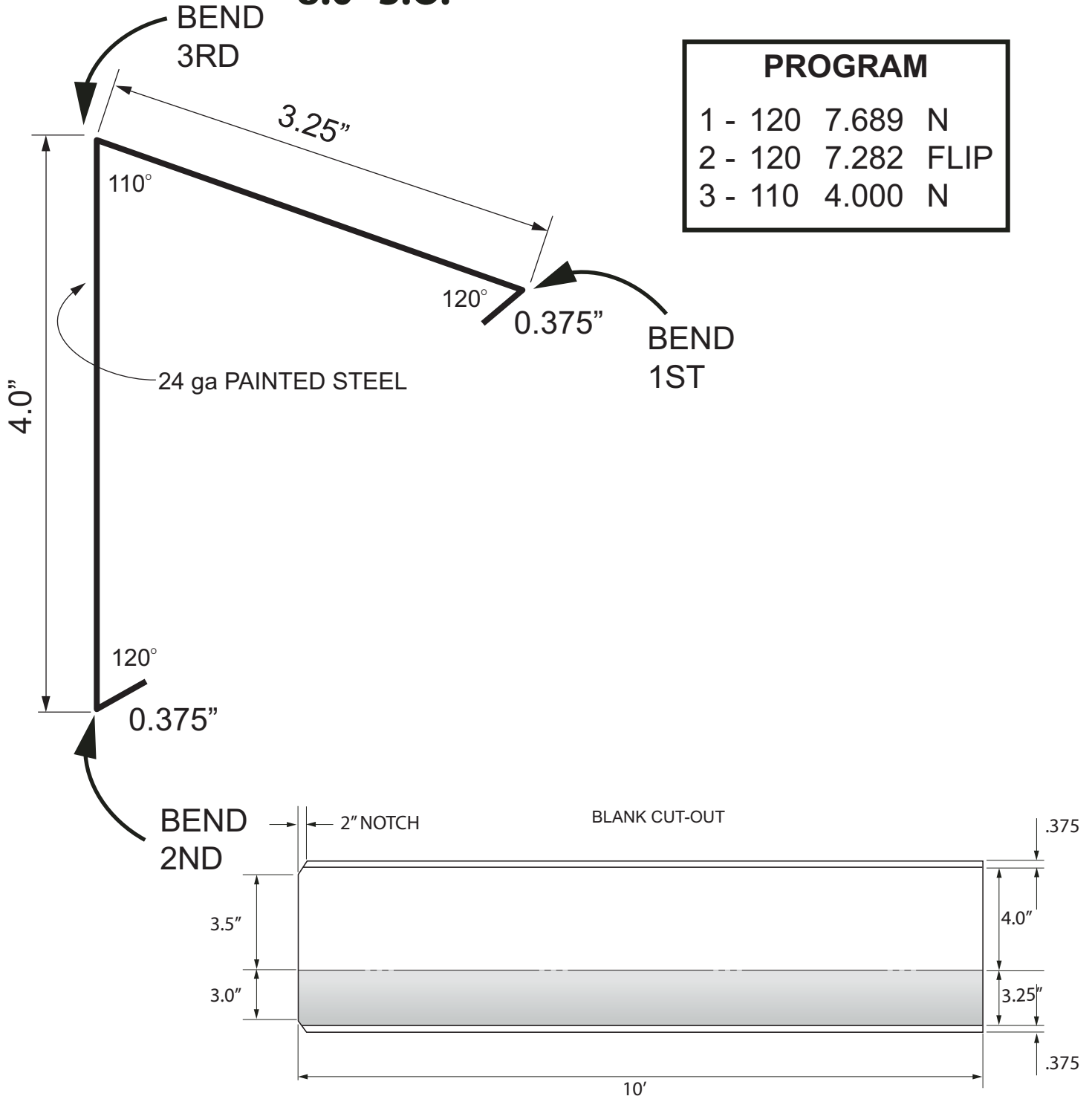


(NOT TO SCALE)

**ES-1 4.0 FASCIA 24 GA**  
**8.0" S.O.**

Revision Date: 9/12/2013

Scale = 1:1



PROGRAM			
1 -	120	7.689	N
2 -	120	7.282	FLIP
3 -	110	4.000	N

ES-1 LABEL INSIDE EACH PIECE

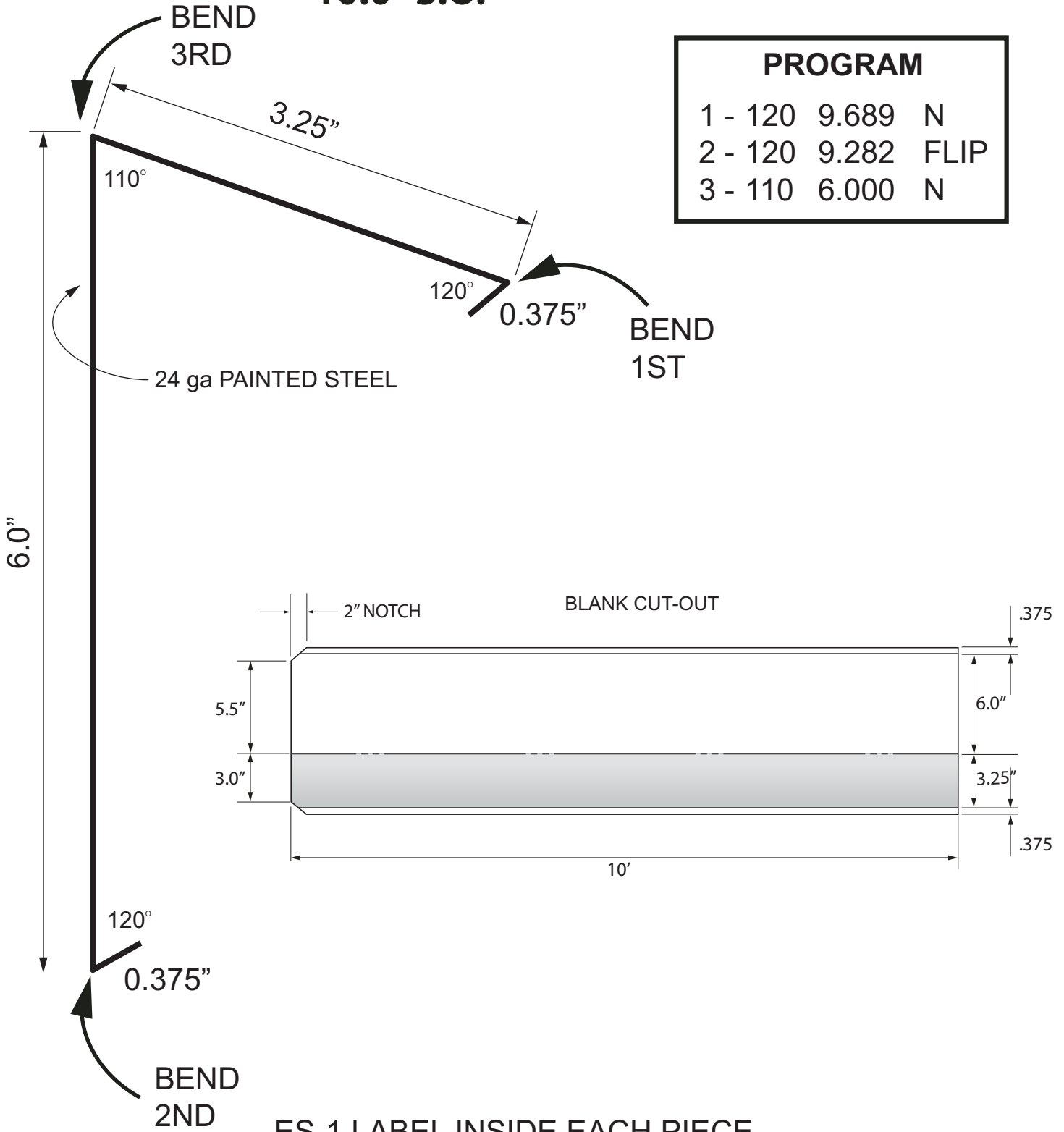
ZES1EDG\_4



**ES-1 6.0 FASCIA 24 GA  
10.0" S.O.**

Revision Date: 9/12/2013  
Scale = 1:1

PROGRAM			
1 -	120	9.689	N
2 -	120	9.282	FLIP
3 -	110	6.000	N



ES-1 LABEL INSIDE EACH PIECE

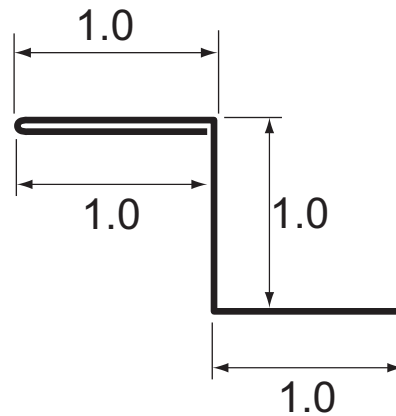
ZES1EDG\_6

---

**Standing Seam Gutter Straps**  
**S.O.: 4.0"**

Revision Date: 12/16/2010

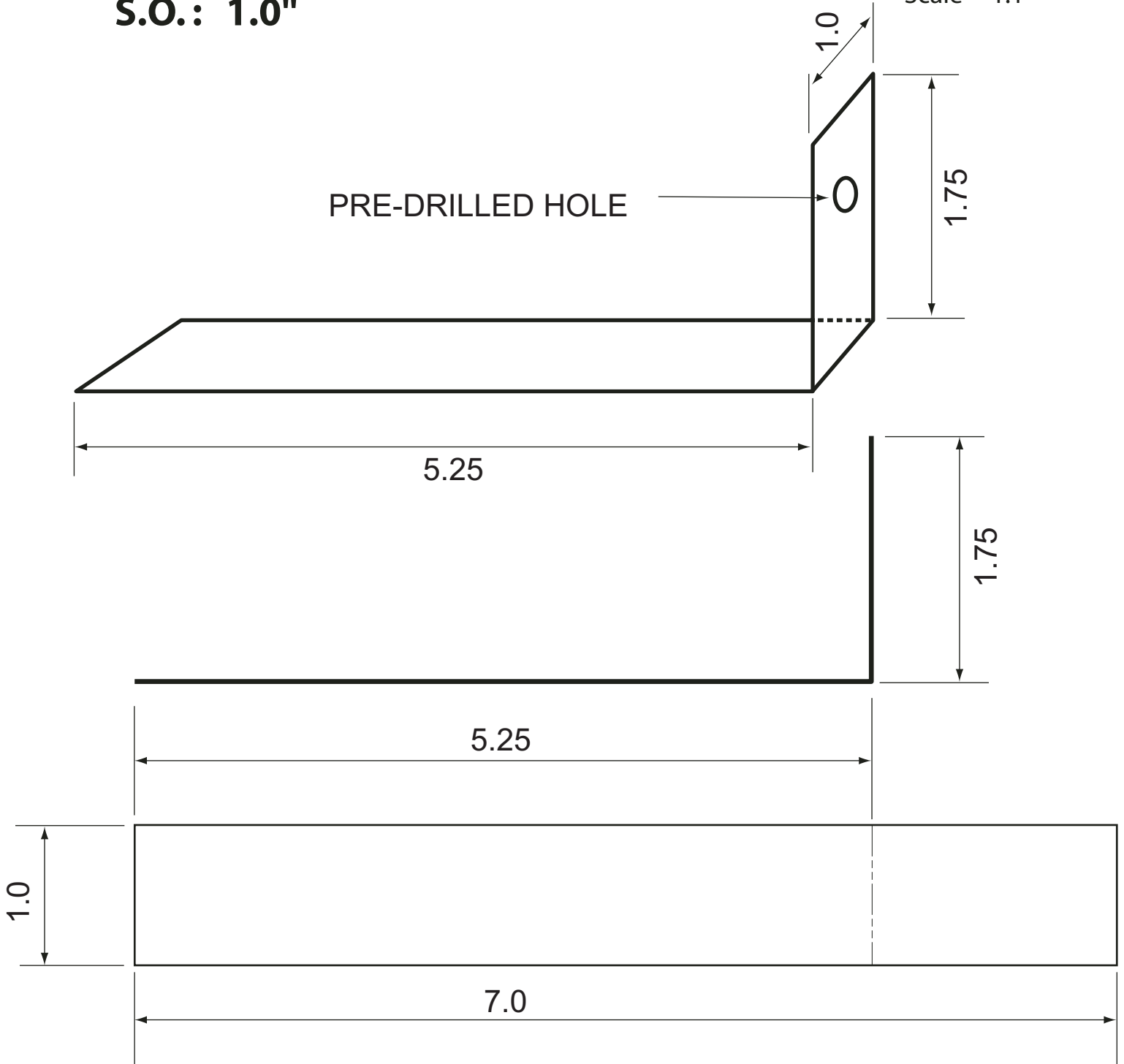
Scale = 1:1



7" LONG

**Single Angle Gutter Strap**  
**S.O.: 1.0"**

Revision Date: 12/30/2010  
Scale = 1:1



---

**Perforated Gutter Screen**  
**S.O.: 6"**

Revision Date: 3/13/2015

Scale = 1:1

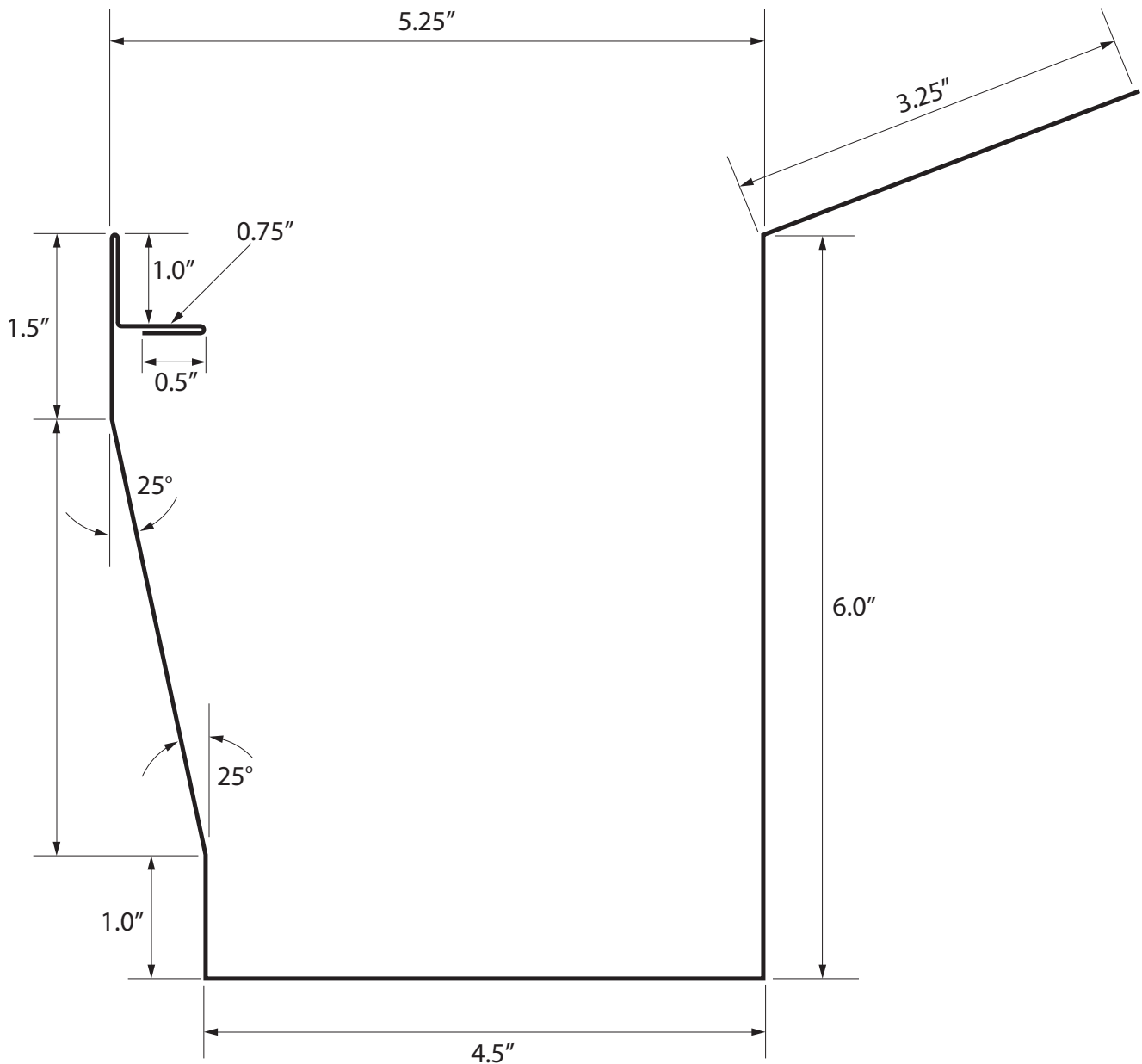
Material: .032 Mill Finish Aluminum



# Perforated Screen Gutter

S.O.: 21"

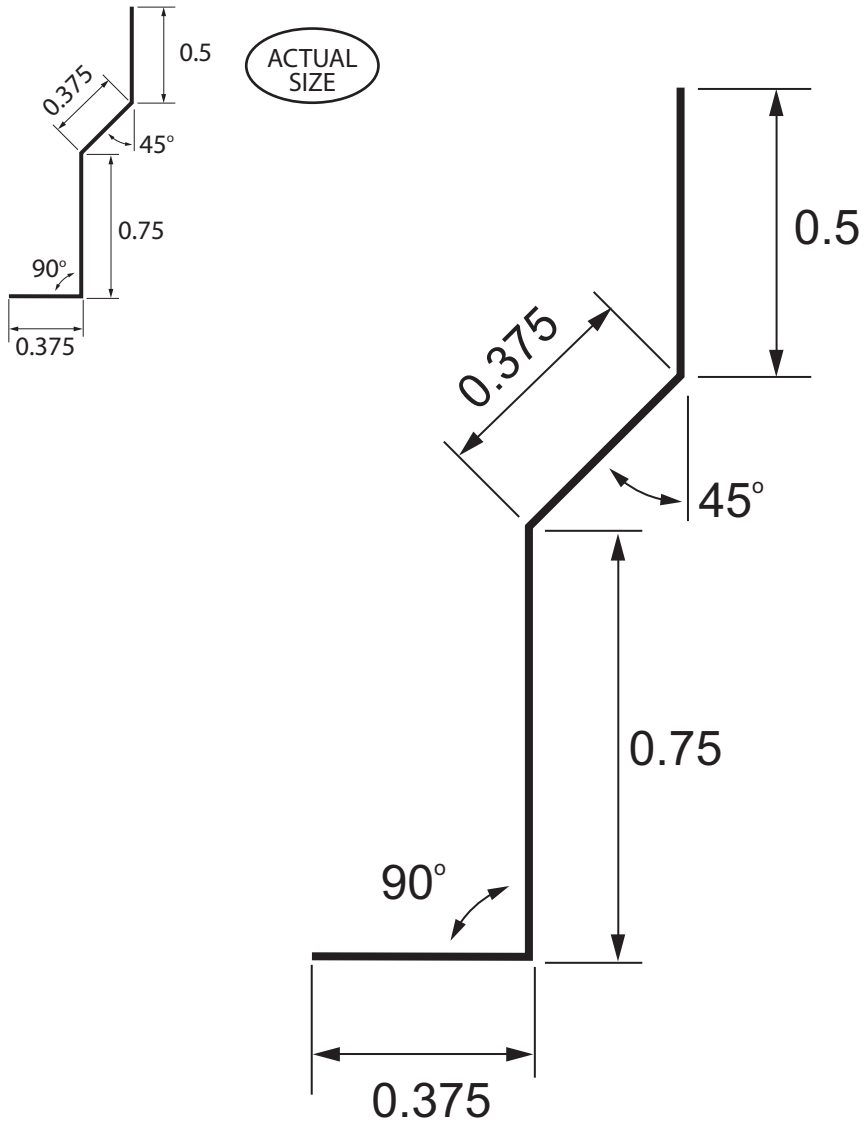
Revision Date: 3/05/2015  
Scale = 0.75:1



# HR16 Panel Starter Cleat

S.O.: 2.0"

Revision Date: 04/18/2014  
Scale = 3":1"

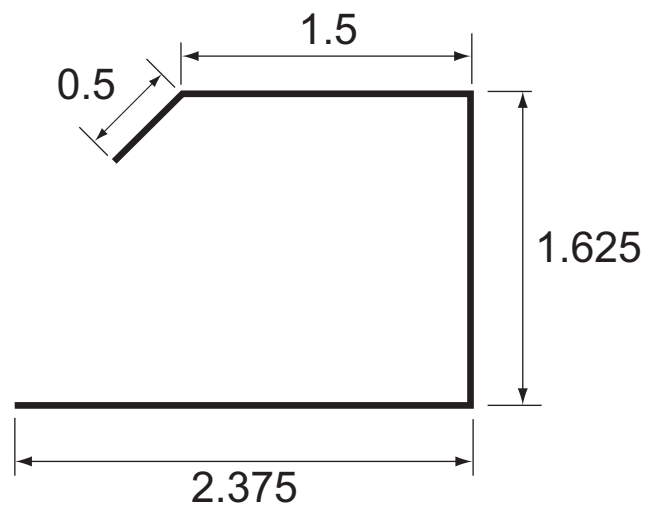


---

**Rake "J" Clip, 1.5" Panel**  
**S.O.: 6.0"**

Revision Date: 12/16/2010

Scale = 1:1

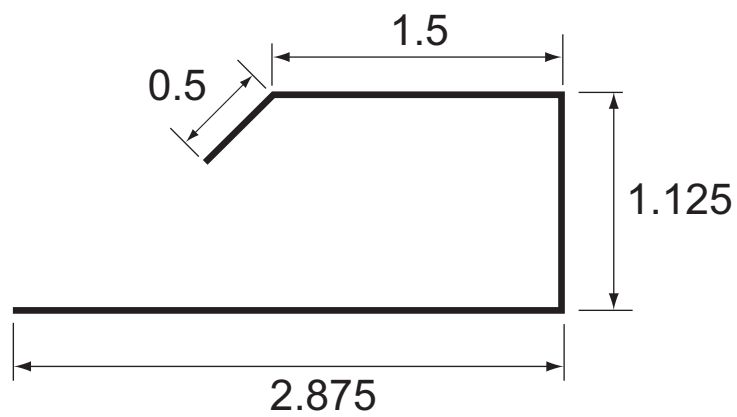


---

**Rake "J" Clip, 1.0" Panel**  
**S.O.: 6.0"**

Revision Date: 1/17/2014

Scale = 1:1

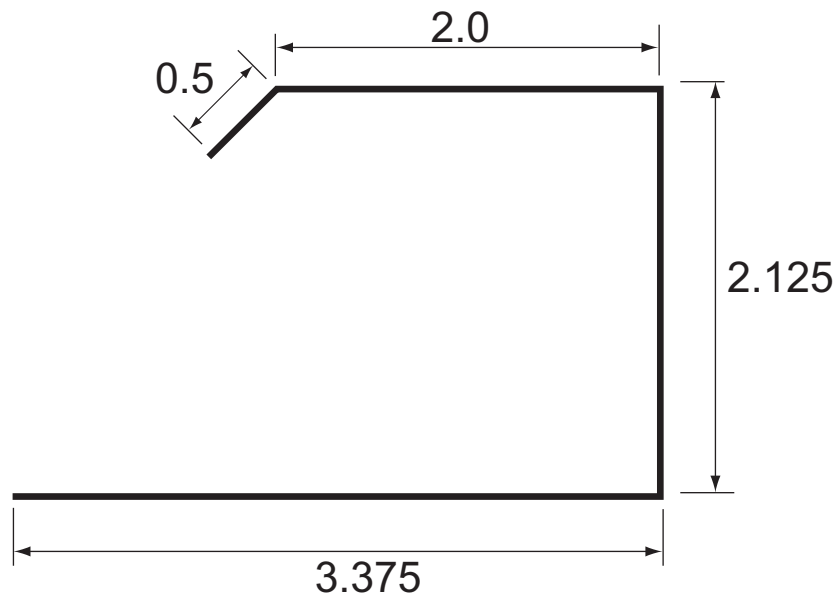




**Rake "J" Clip, 2" Panel**  
**S.O.: 8.0"**

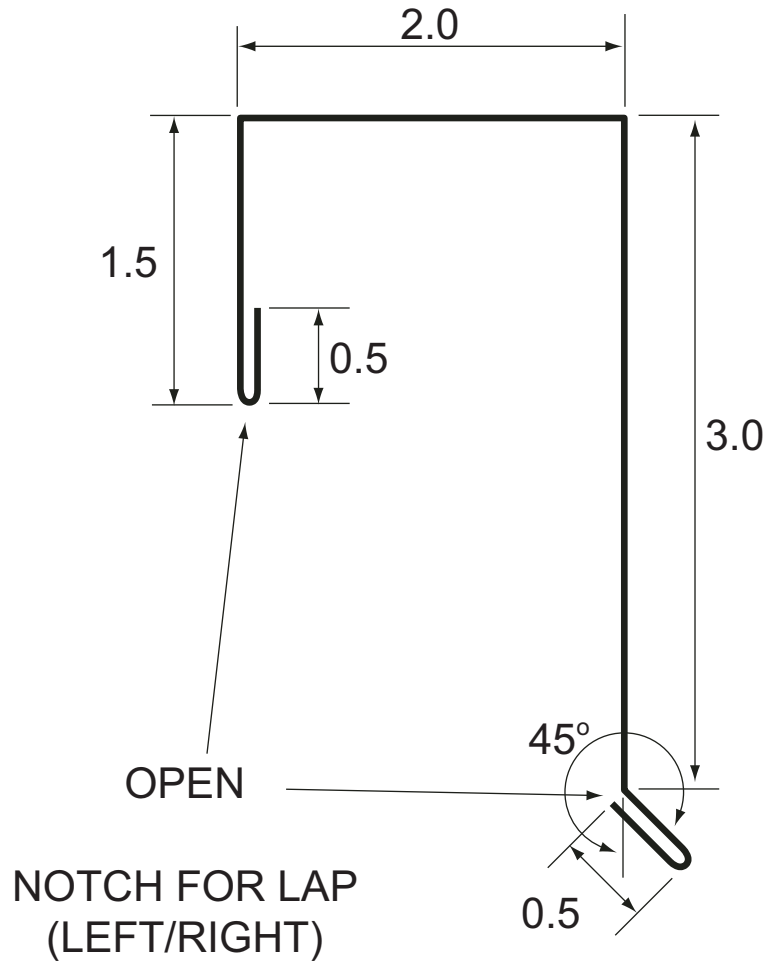
Revision Date: 12/16/2010

Scale = 1:1



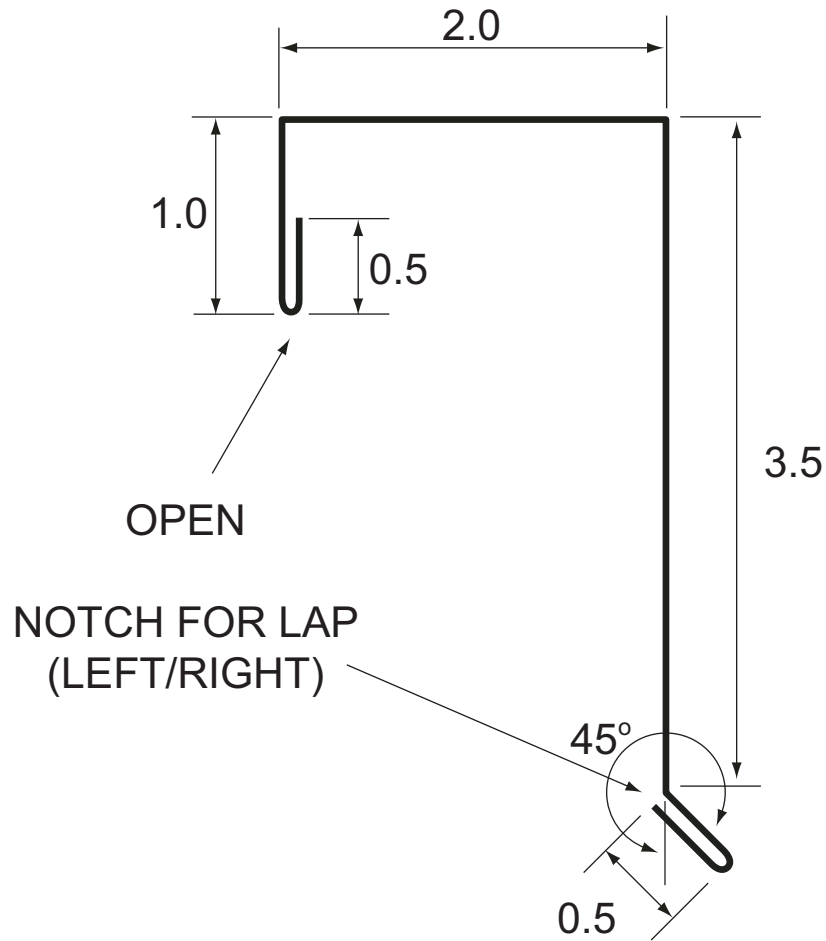
**Rake Metal**  
**1.5" Panel**  
**S.O.: 8.0"**

Revision Date: 4/20/2011  
Scale = 1:1



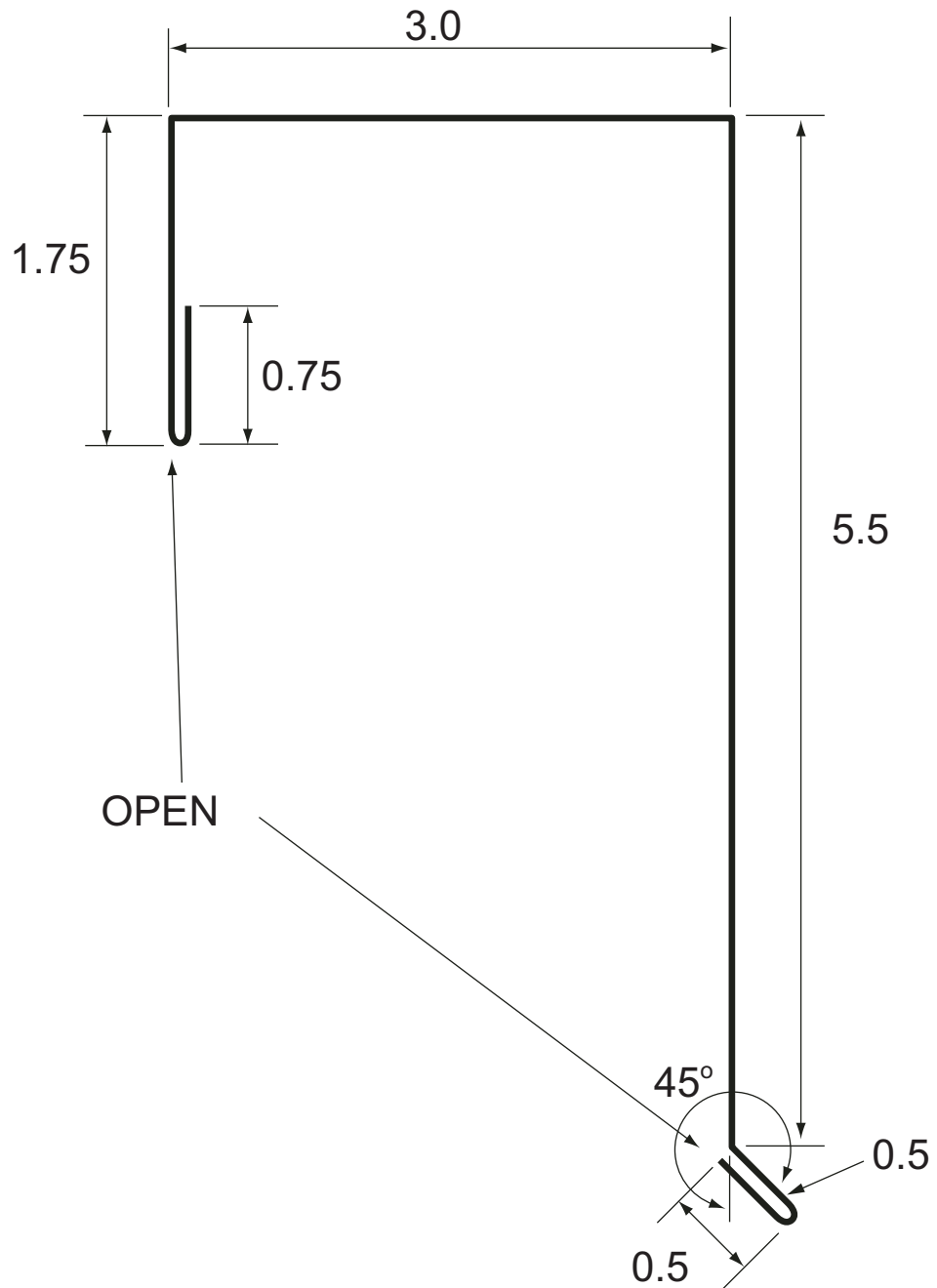
**Rake Metal**  
**Tee-Panel/Nail Strip**  
**1" Panel**  
**S.O.: 8.0"**

Revision Date: 6/29/2012  
Scale = 1:1



**Rake Metal**  
**2" Panel**  
**S.O.: 12.0"**

Revision Date: 12/16/2010  
Scale = 1:1

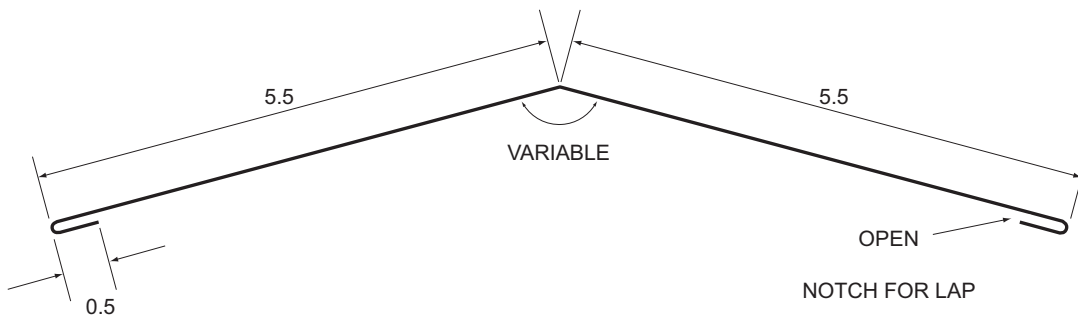


---

**Ridge Cap 12"**  
**S.O.: 12.0" 24 ga.**

Revision Date: 3/08/2010

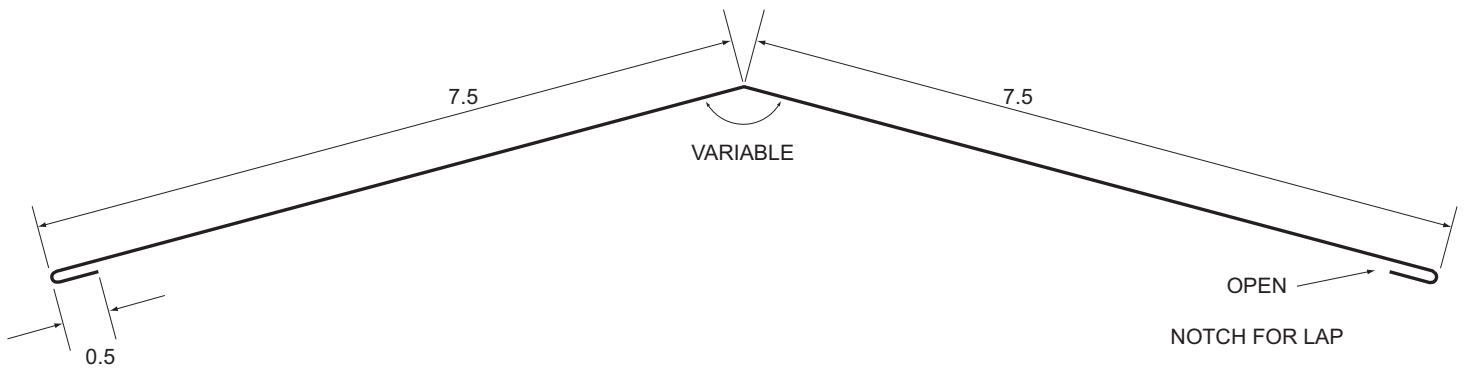
Scale = .5:1



**Ridge Cap 16"**  
**S.O.: 16.0" 24 ga.**

Revision Date: 3/08/2010

Scale = .5:1

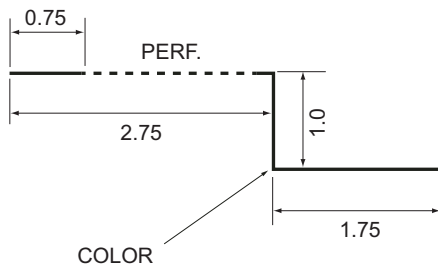
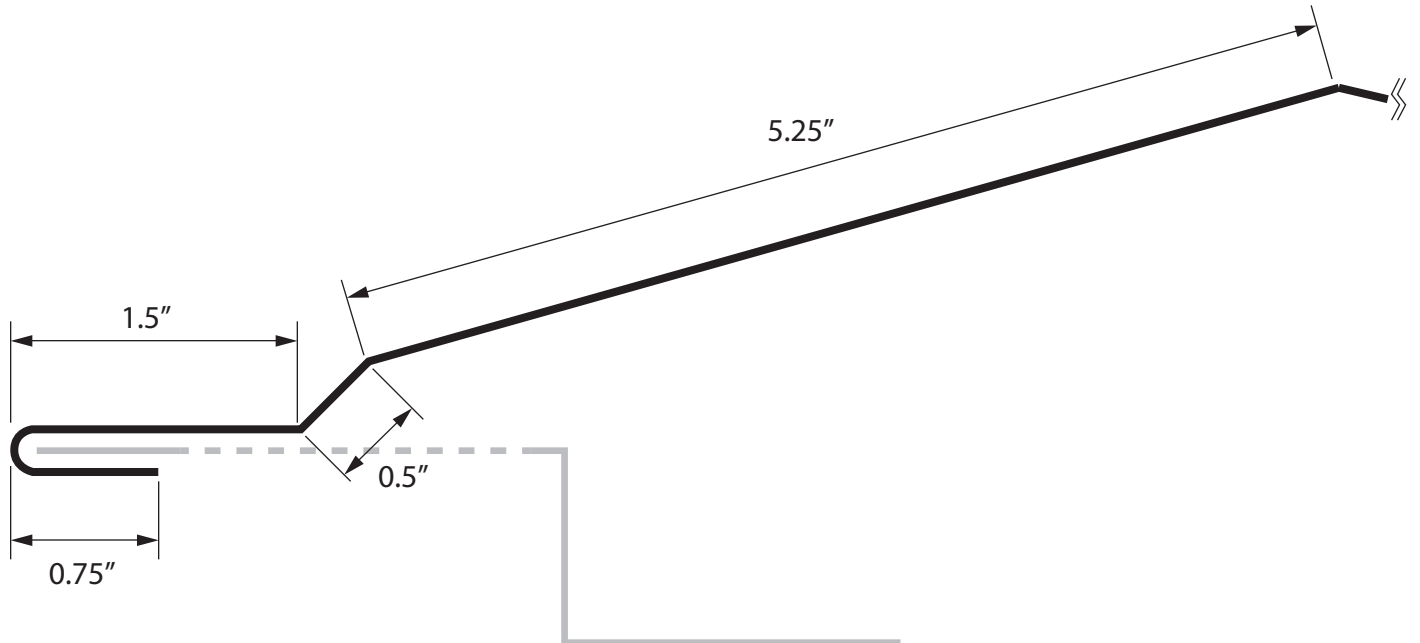


# Ridge Cap for 1" Vented Z Closure

Revision Date: 3/25/2016

Scale = 1:1

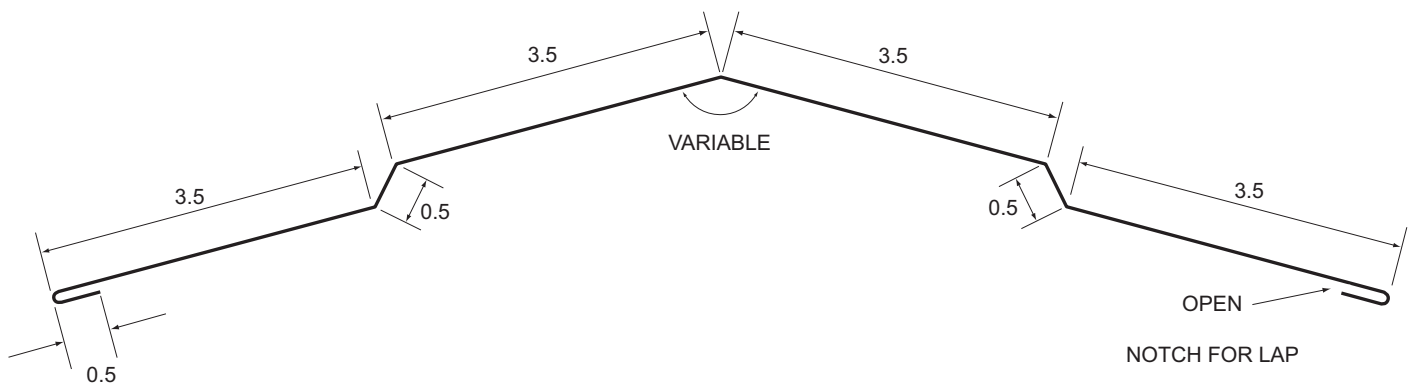
S.O.: 16"



**Ridge Cap Wide**  
**S.O.: 16.0" 24ga.**

Revision Date: 12/16/2010

Scale = .5:1

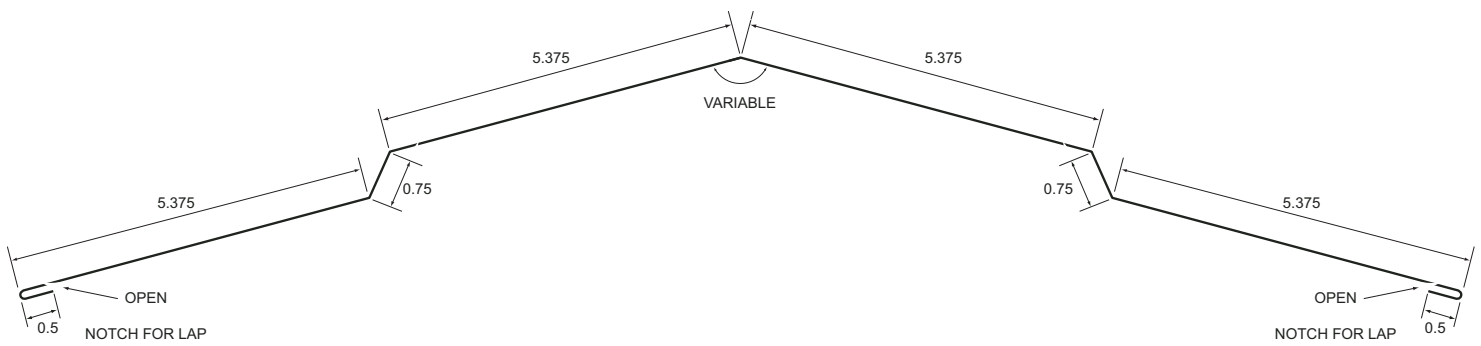




**Extra Wide Ridge Cap 24"**  
**S.O.: 24.0" 24 ga.**

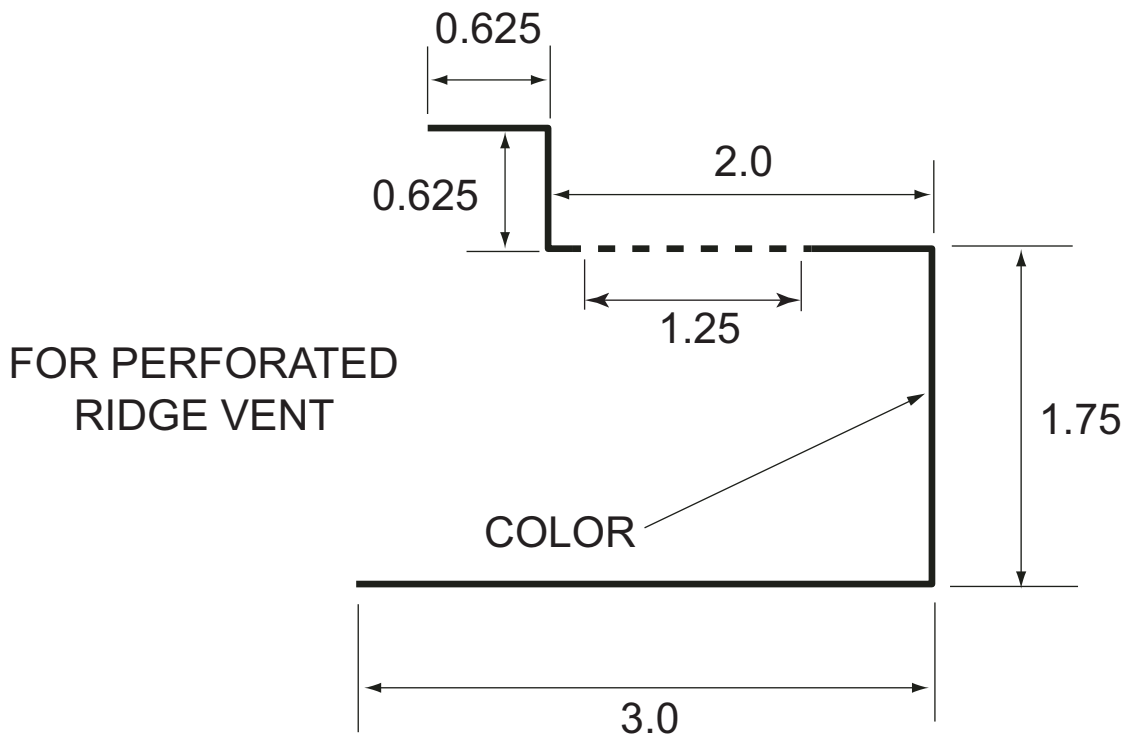
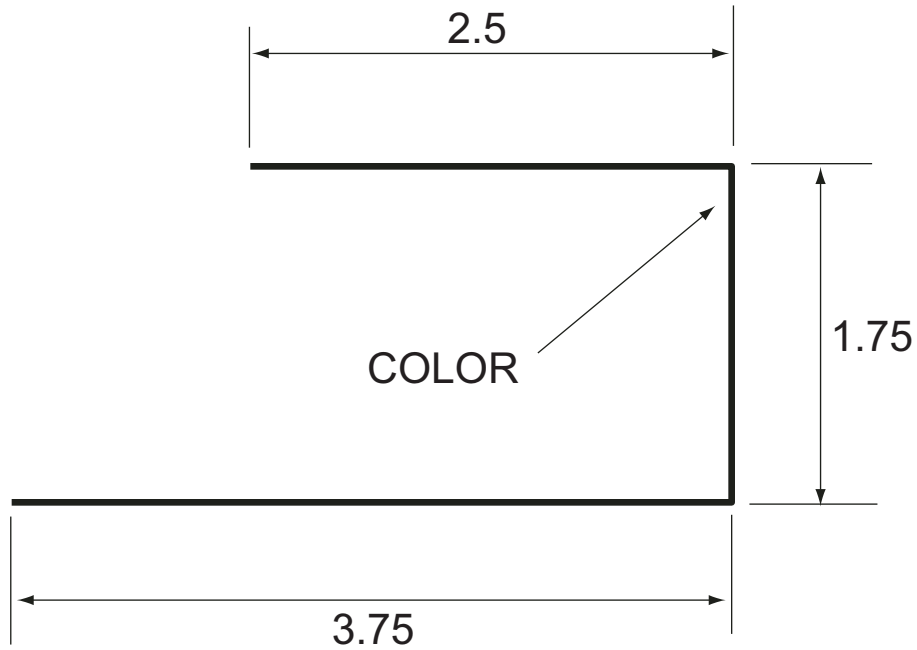
Revision Date: 12/16/2010

Scale = .375:1



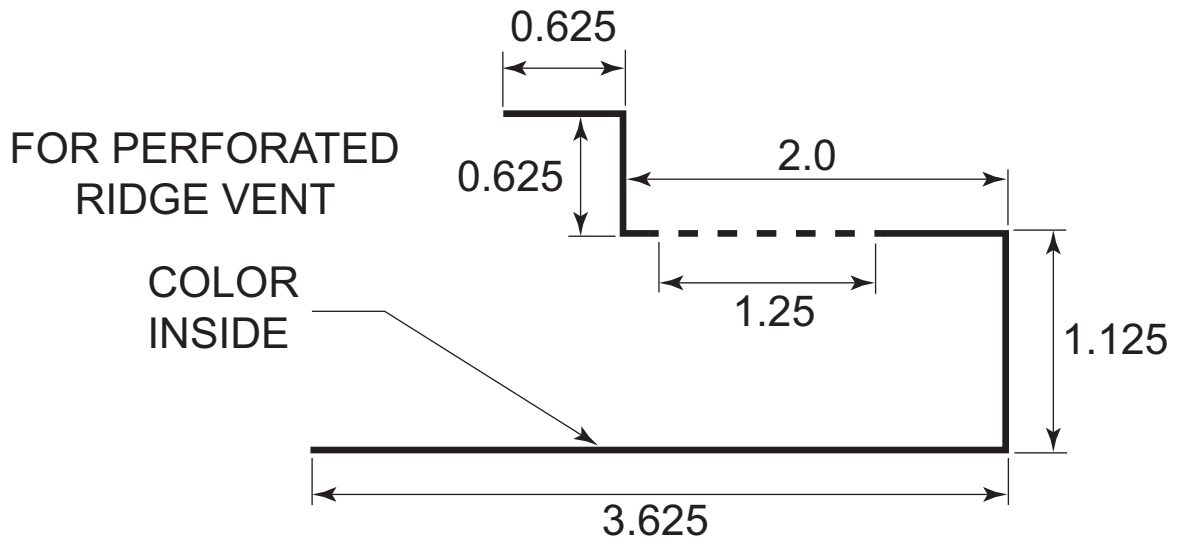
**Ridge J Metal 1.5" Panel**  
**S.O.: 8.0"**

Revision Date: 1/18/2011  
Scale = 1:1



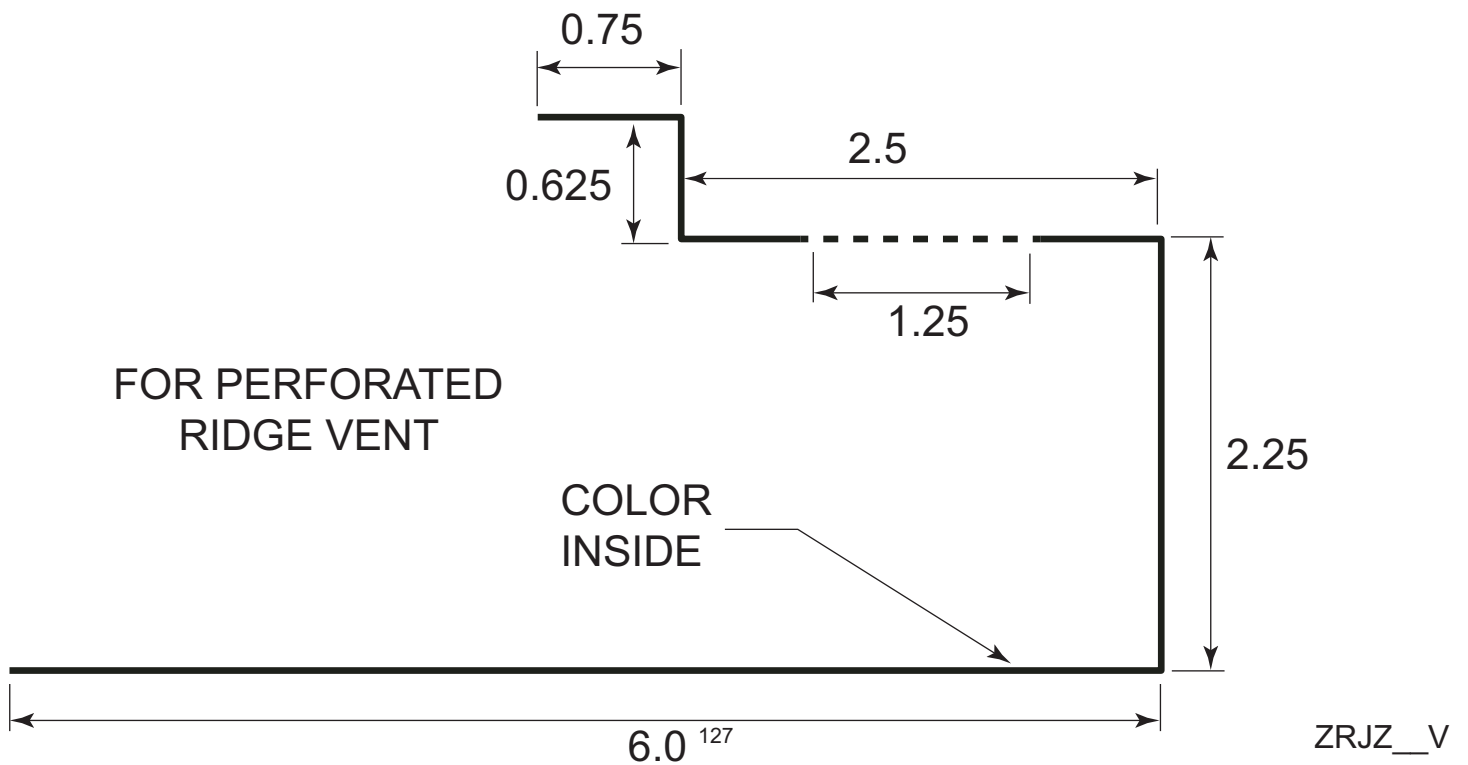
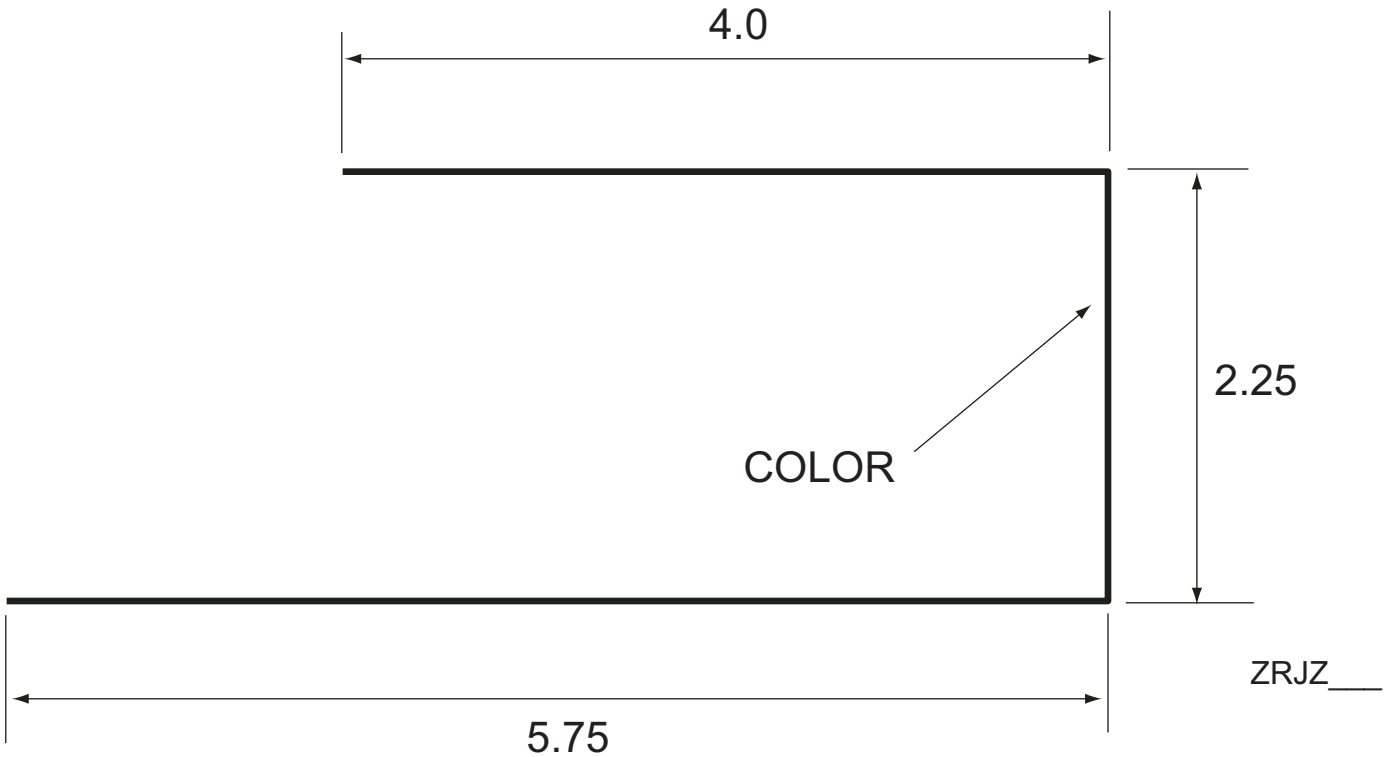
**Ridge J Metal 1" Panel**  
**S.O.: 8.0"**

Revision Date: 1/18/2011  
Scale = 1:1



**Ridge J Metal 2" Panel**  
**S.O.: 12.0"**

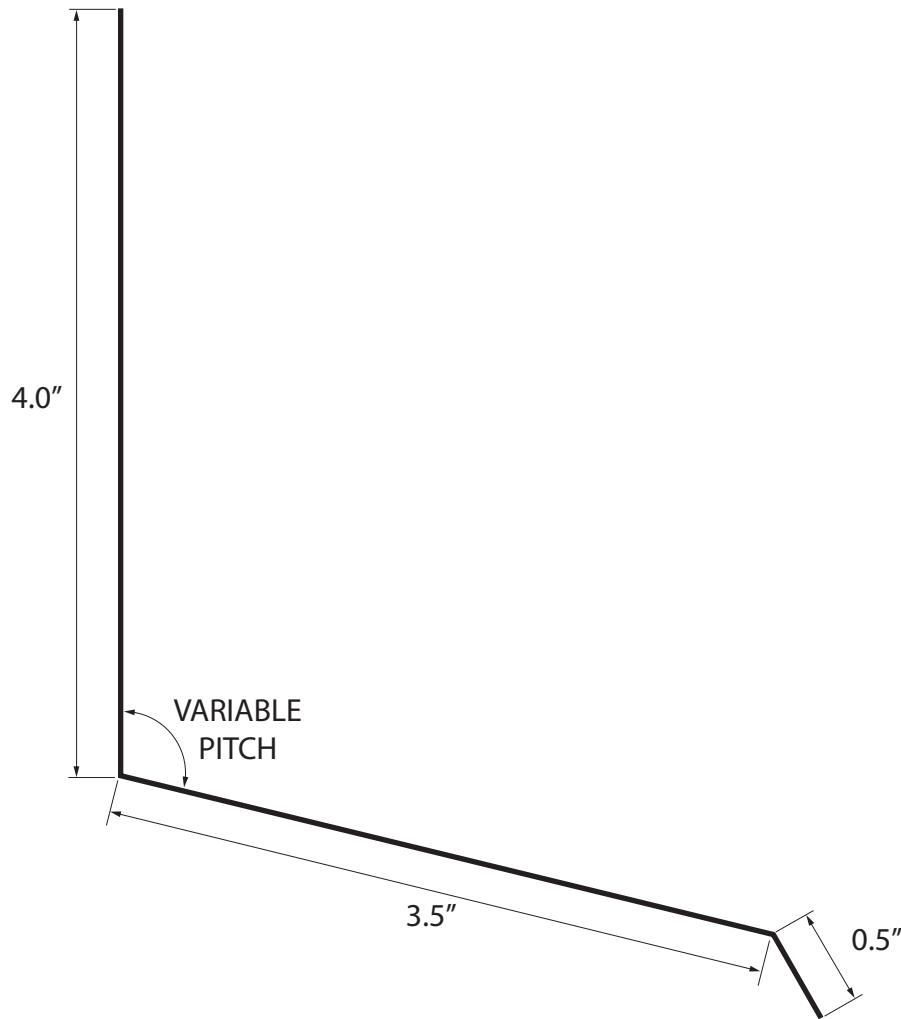
Revision Date: 12/16/2010  
Scale = 1:1



# Roof-to-Wall-Comp S.O. : 8"

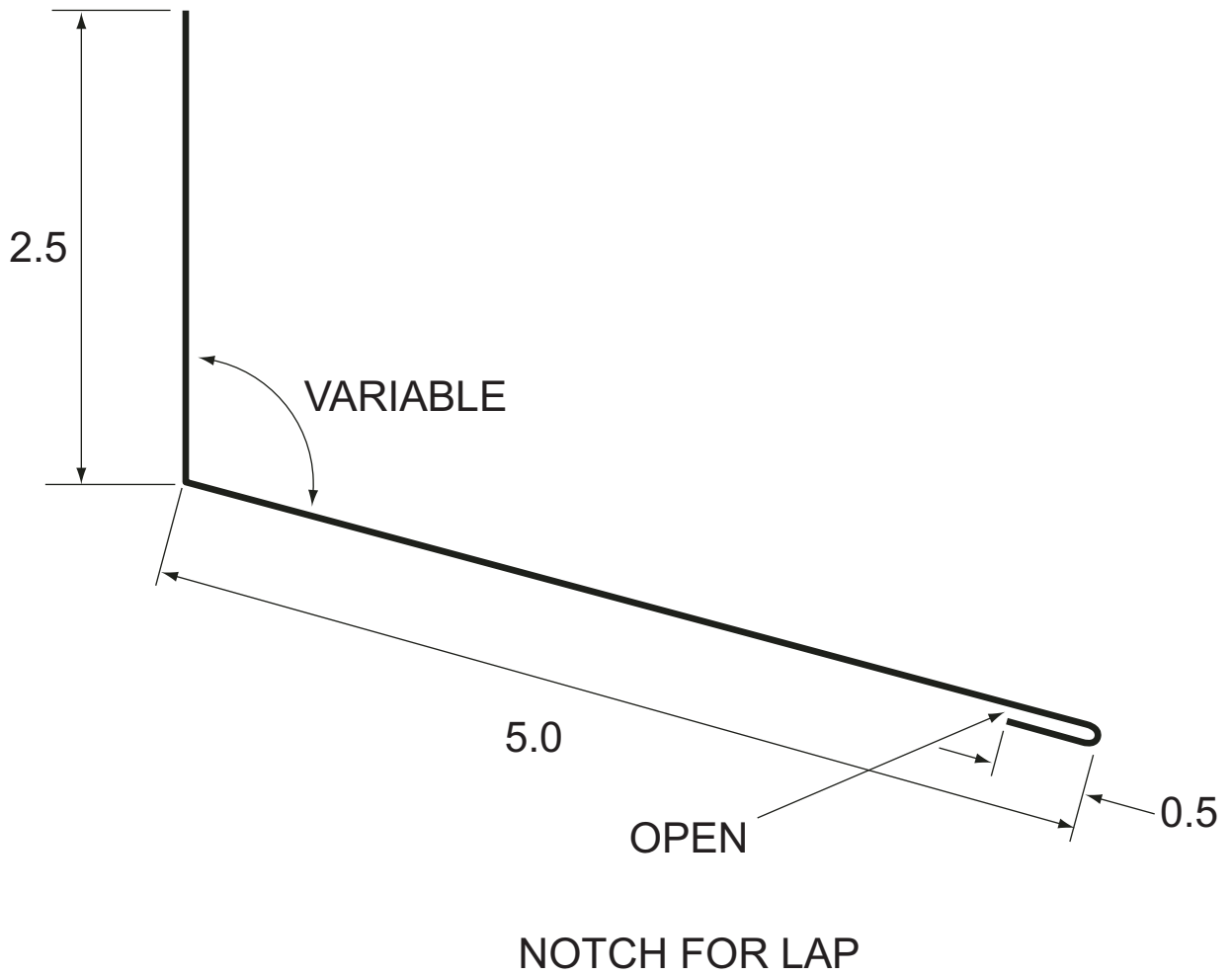
Revision Date: 7/24/2014

Scale = 1:1



**Roof to Wall**  
**S.O.: 8.0"**

Revision Date: 3/10/2010  
Scale = 1:1



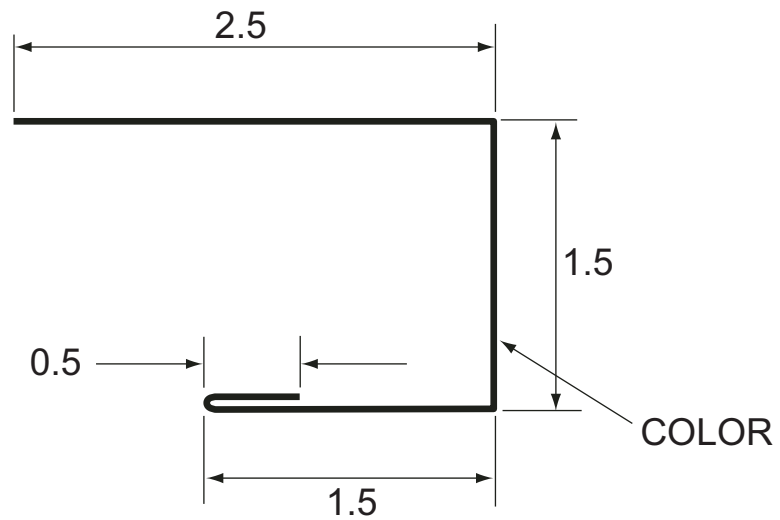
**Soffit J Metal 1.5"**

**S.O.: 6.0"**

FOR FW-12

Revision Date: 12/16/2010

Scale = 1:1



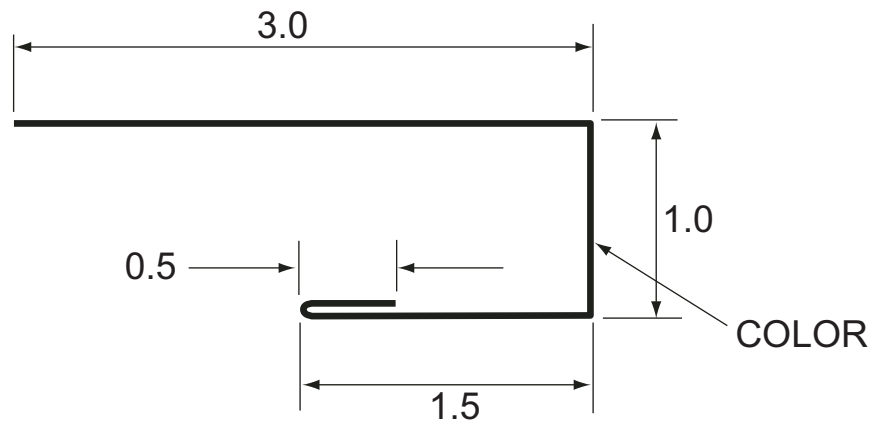
## Soffit J Metal 1"

**S.O.: 6.0"**

FOR L-PANEL

Revision Date: 12/16/2010

Scale = 1:1



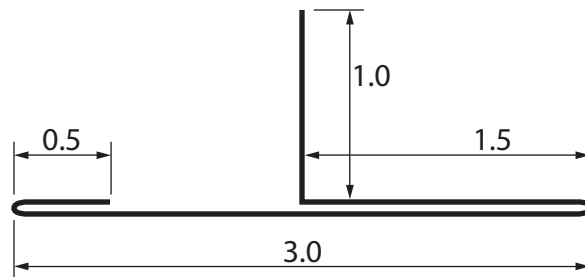


---

**Soffit T Trim**  
**S.O.: 6"**

Revision Date: 8/10/2015

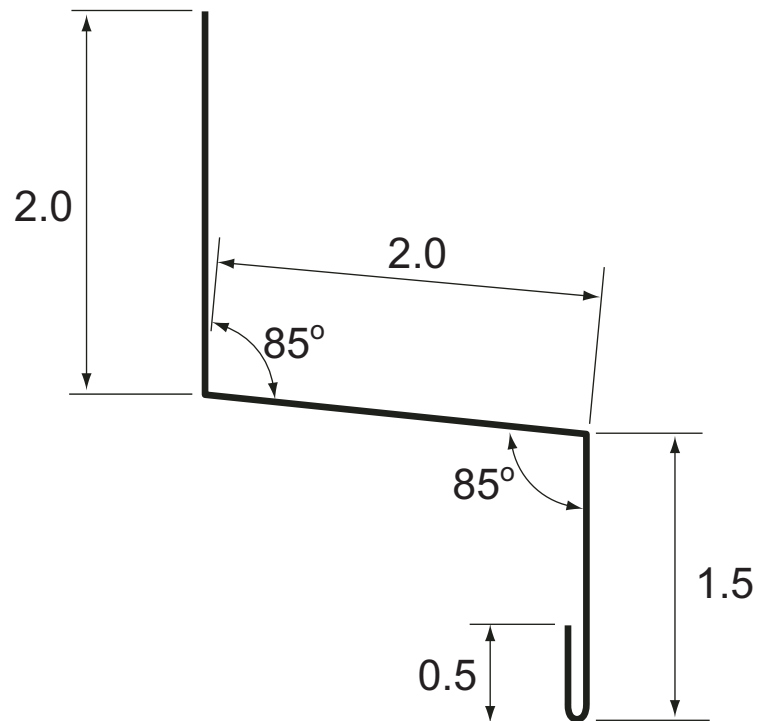
Scale = 1:1



**Sidewall Flashing, 1.5" Panel**  
**S.O.: 6.0"**

Revision Date: 3/15/2010

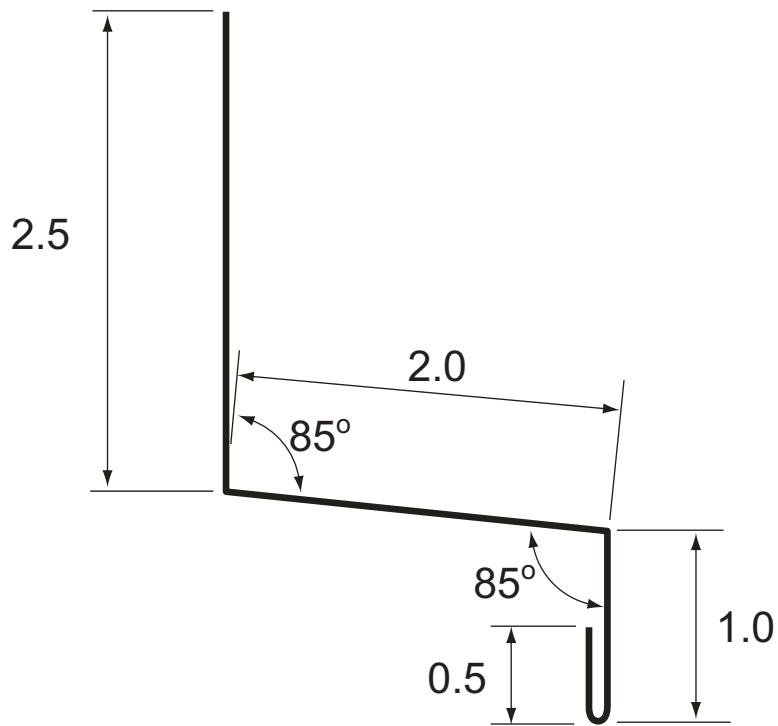
Scale = 1:1



**Sidewall Flashing, 1" Panel  
Tee Panel/Nail Strip  
S.O.: 6.0"**

Revision Date: 7/23/2011

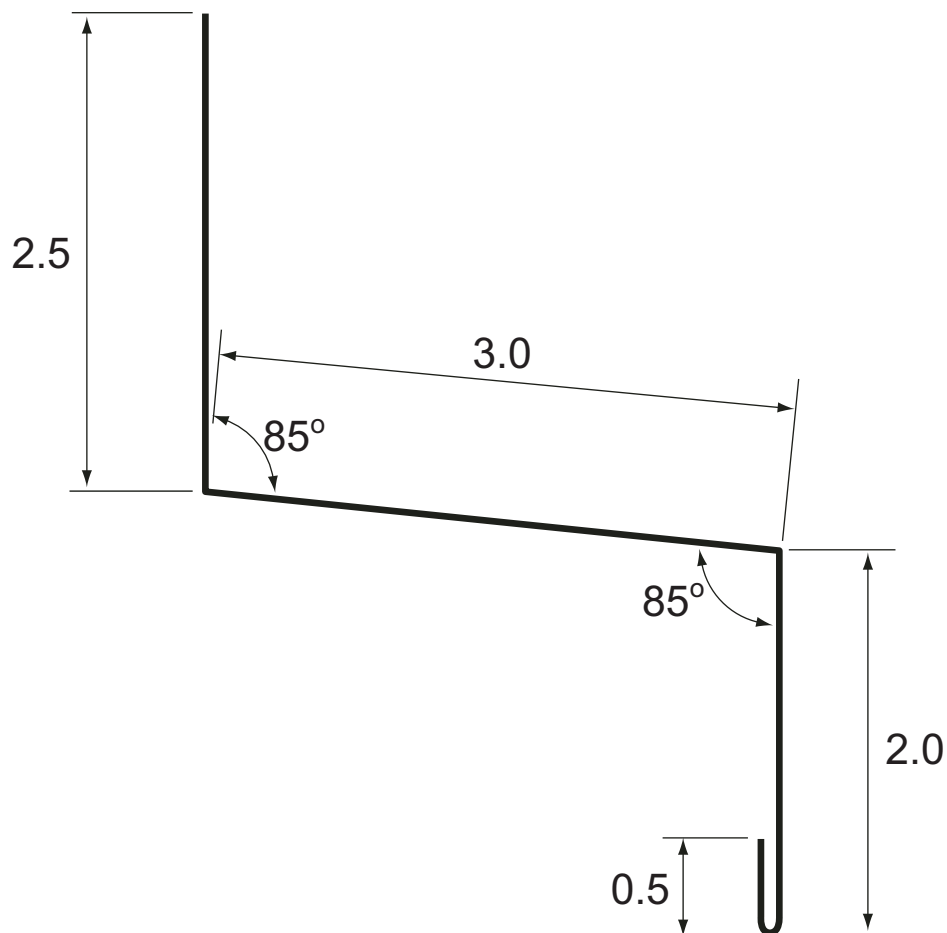
Scale = 1:1



**Sidewall Flashing, 2" Panel**  
**Zee-Lock**  
**S.O.: 8.0"**

Revision Date: 3/15/2010

Scale = 1:1

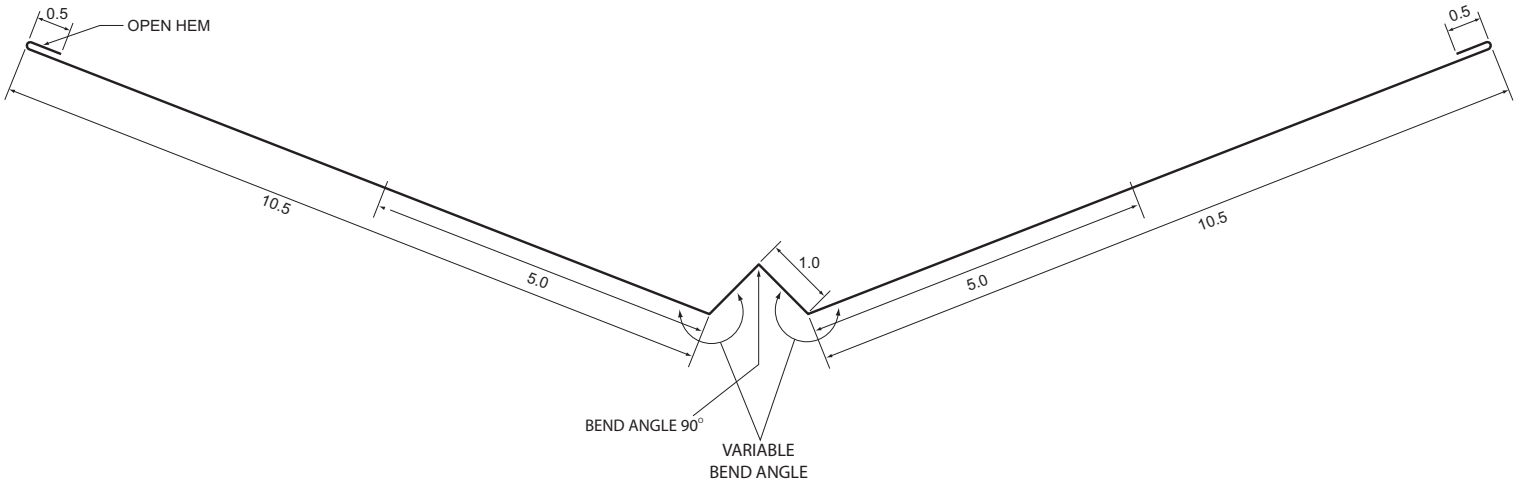


**Std. Valley 24"**  
**S.O.: 24.0"**

Revision Date: 1/20/2014

Scale = .75:1

ZVAL



**Change of Pitch Chart**

Ridge		Hip	
1:12	10	1:12	8
2:12	18	2:12	14
3:12	28	3:12	20
4:12	37	4:12	26
5:12	45	5:12	32
6:12	53	6:12	38
7:12	60	7:12	44
8:12	67	8:12	49
9:12	73	9:12	54
10:12	79	10:12	59
11:12	85	11:12	64
12:12	90	12:12	69

**Valley Pitches**

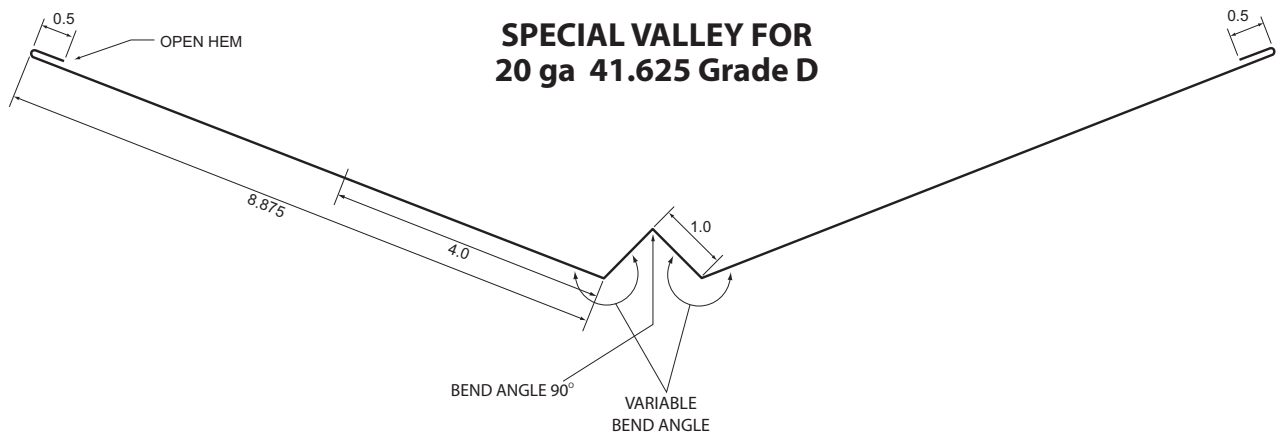
Roof Slope	W/ 90° Bend	WO/W Bend
1:12	49	8
2:12	52	14
3:12	55	20
4:12	58	26
5:12	61	32
6:12	64	38
7:12	67	44
8:12	70	50
9:12	73	56
10:12	76	62
11:12	78	66
12:12	80	70

**Valley 21"**  
**S.O.: 20.75"**

Revision Date: 1/20/2014

Scale = .75:1

ZVAL\_\_26SP



**Change of Pitch Chart**

Ridge		Hip	
1:12	10	1:12	8
2:12	18	2:12	14
3:12	28	3:12	20
4:12	37	4:12	26
5:12	45	5:12	32
6:12	53	6:12	38
7:12	60	7:12	44
8:12	67	8:12	49
9:12	73	9:12	54
10:12	79	10:12	59
11:12	85	11:12	64
12:12	90	12:12	69

**Valley Pitches**

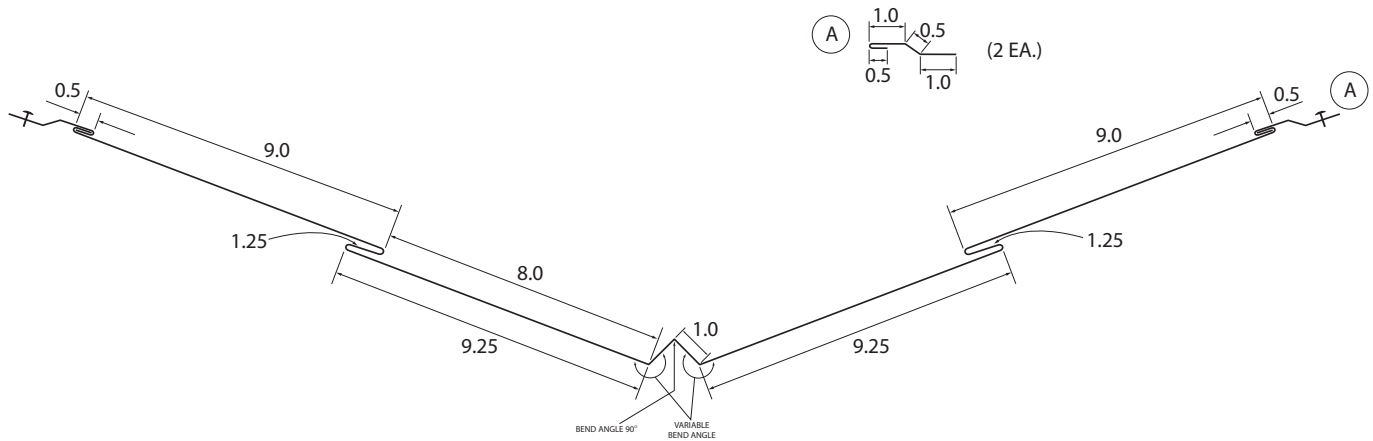
Roof Slope	W/ 90° Bend	WO/W Bend
1:12	49	8
2:12	52	14
3:12	55	20
4:12	58	26
5:12	61	32
6:12	64	38
7:12	67	44
8:12	70	50
9:12	73	56
10:12	76	62
11:12	78	66
12:12	80	70

**Berridge Valley**  
**S.O.: 42" (48" total)**

Revision Date: 10/27/2015

Scale = 0.375: 1

ZVAL\_\_\_\_BE



**Change of Pitch Chart**

Ridge		Hip	
1:12	10	1:12	8
2:12	18	2:12	14
3:12	28	3:12	20
4:12	37	4:12	26
5:12	45	5:12	32
6:12	53	6:12	38
7:12	60	7:12	44
8:12	67	8:12	49
9:12	73	9:12	54
10:12	79	10:12	59
11:12	85	11:12	64
12:12	90	12:12	69

**Valley Pitches**

Roof Slope	W/ 90° Bend	WO/W Bend
1:12	49	8
2:12	52	14
3:12	55	20
4:12	58	26
5:12	61	32
6:12	64	38
7:12	67	44
8:12	70	50
9:12	73	56
10:12	76	62
11:12	78	66
12:12	80	70

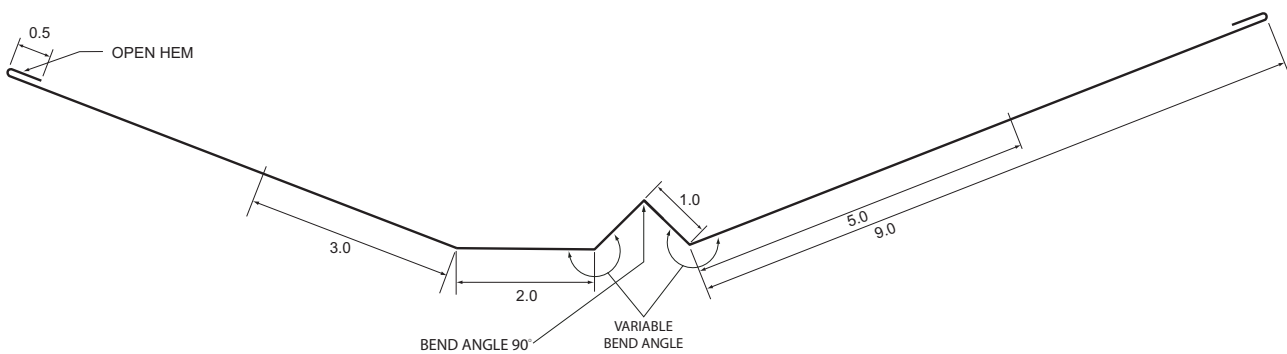
# Offset Valley Liner w/ cleat

## S.O.: 24.0"

Revision Date: 1/20/2014

Scale = .75:1

ZVAL\_\_OS



### Change of Pitch Chart

Ridge		Hip	
1:12	10	1:12	8
2:12	18	2:12	14
3:12	28	3:12	20
4:12	37	4:12	26
5:12	45	5:12	32
6:12	53	6:12	38
7:12	60	7:12	44
8:12	67	8:12	49
9:12	73	9:12	54
10:12	79	10:12	59
11:12	85	11:12	64
12:12	90	12:12	69

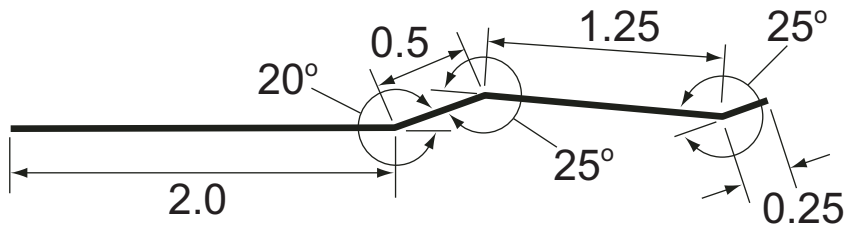
### Valley Pitches

Roof Slope	W/ 90° Bend	WO/W Bend
1:12	49	8
2:12	52	14
3:12	55	20
4:12	58	26
5:12	61	32
6:12	64	38
7:12	67	44
8:12	70	50
9:12	73	56
10:12	76	62
11:12	78	66
12:12	80	70



**Valley Liner Cleat**  
**S.O.: 4.0"**

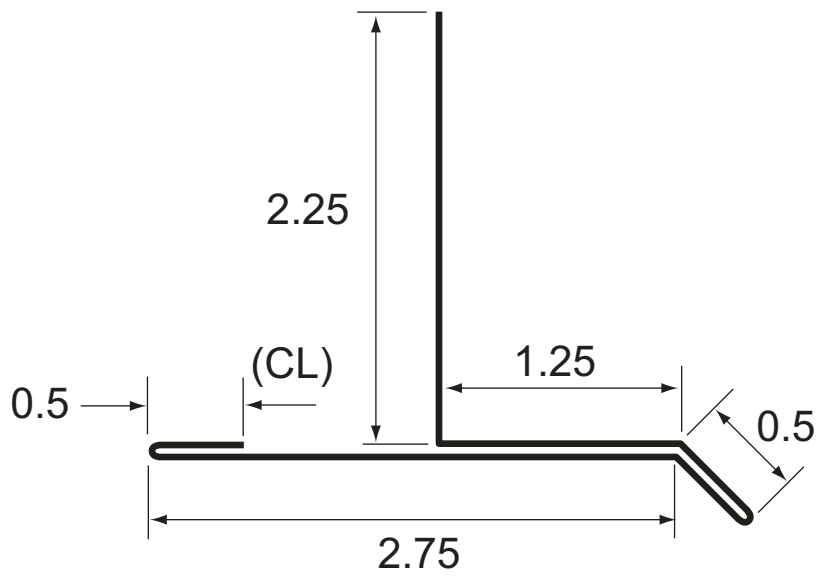
Revision Date: 12/16/2010  
Scale = 1:1



**Wall Panel/Soffit Drip Combo**  
**S.O.: 8.0"**

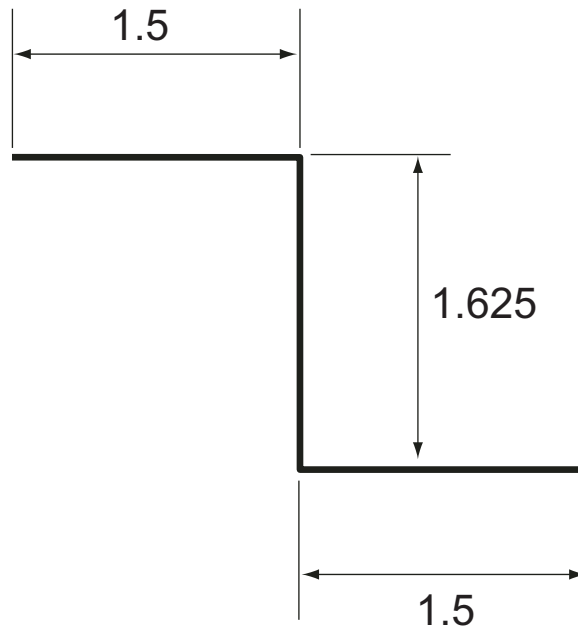
Revision Date: 12/16/2010

Scale = 1:1



**1.5" Z Closure**  
**S.O.: 4.625"**

Revision Date: 11/29/2011  
Scale = 1:1



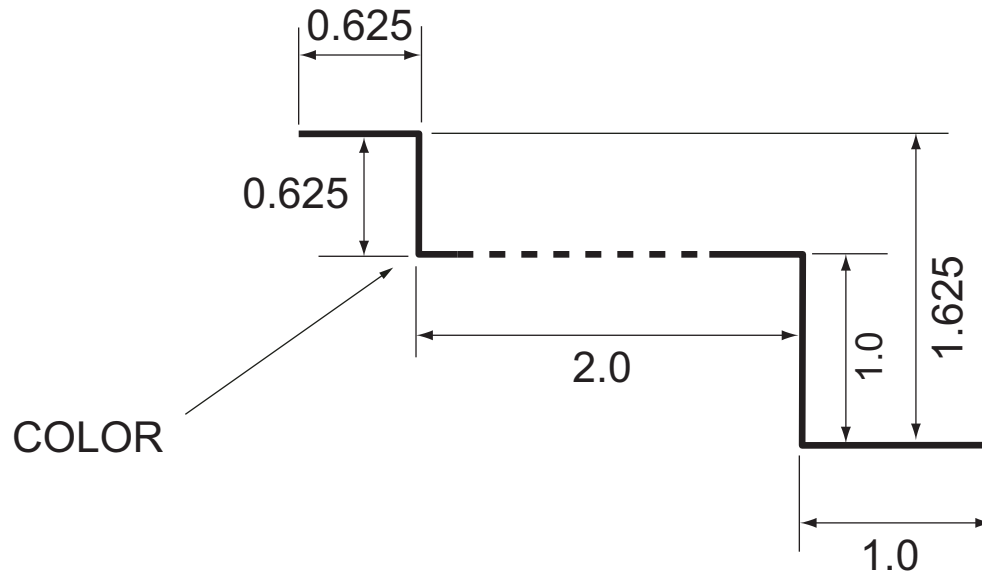
PANEL WIDTHS:	
ZZC ____	= 16.25"
ZZSL ____ 12	= 11.75"
ZZSL ____ 16	= 15.875"

ZZC \_\_\_\_  
ZZSL \_\_ 12  
ZZSL \_\_ 16

# 1.5" Vented Z Closure

S.O.: 5.25"

Revision Date: 3/06/2013  
Scale = 1:1



### PANEL WIDTHS:

ZZC\_V = 16.25"

ZZSL\_ 12V = 11.75"

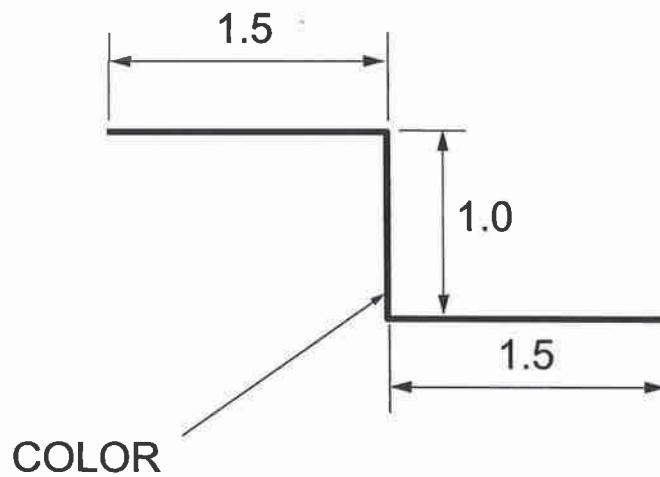
ZZSL\_ 16V = 15.875"

# 1" Z Closure for Nailstrip

Revision Date: 6/19/2015

Scale = 1:1

S.O.: 4.0"



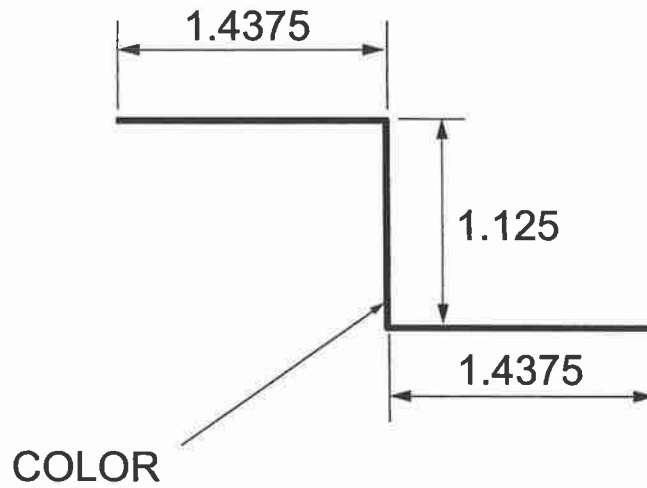
12.5" LENGTH

**1" Z Closure**

Revision Date: 6/19/2015

**S.O.: 4.0"**

Scale = 1:1



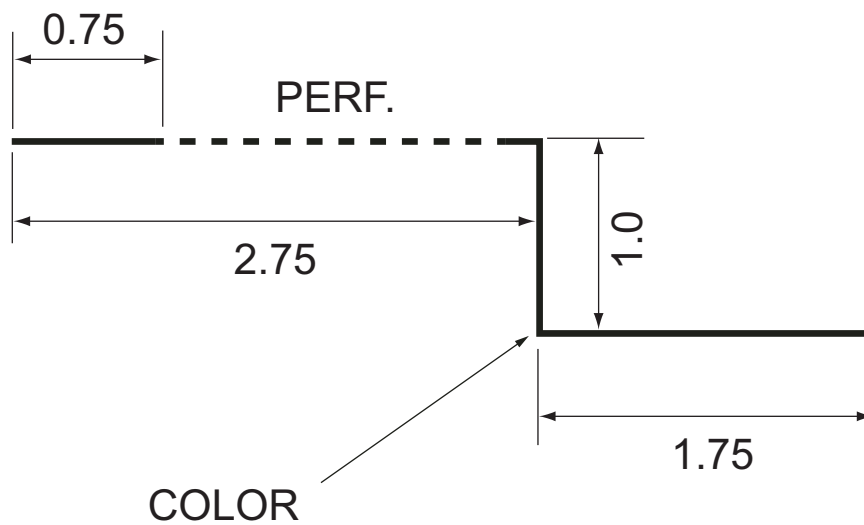
12.5" LENGTH

# 1" Vented Z Closure

Revision Date: 9/05/2013

Scale = 1:1

S.O.: 5.5"



**PANEL WIDTHS:**

ZZT\_V = 12.50" TEE

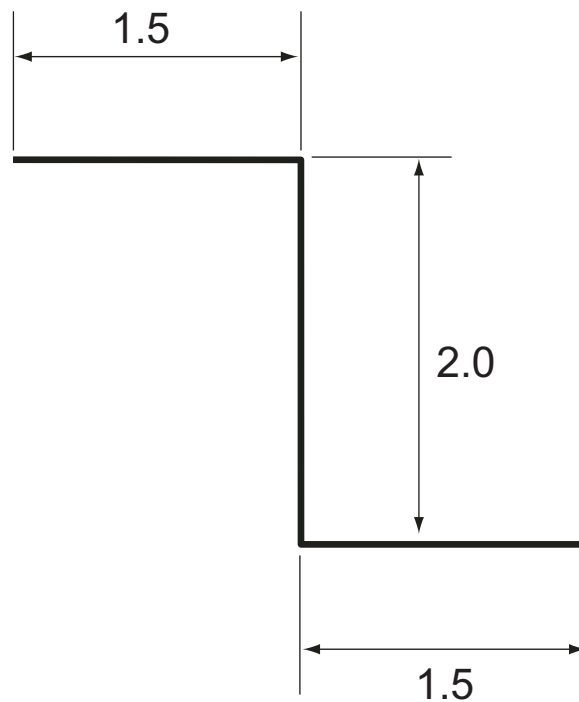
ZZNS\_V = 15.875" NAIL STRIP 116

---

**2" Z Closure**  
**S.O.: 5.0"**

Revision Date: 12/16/2010

Scale = 1:1

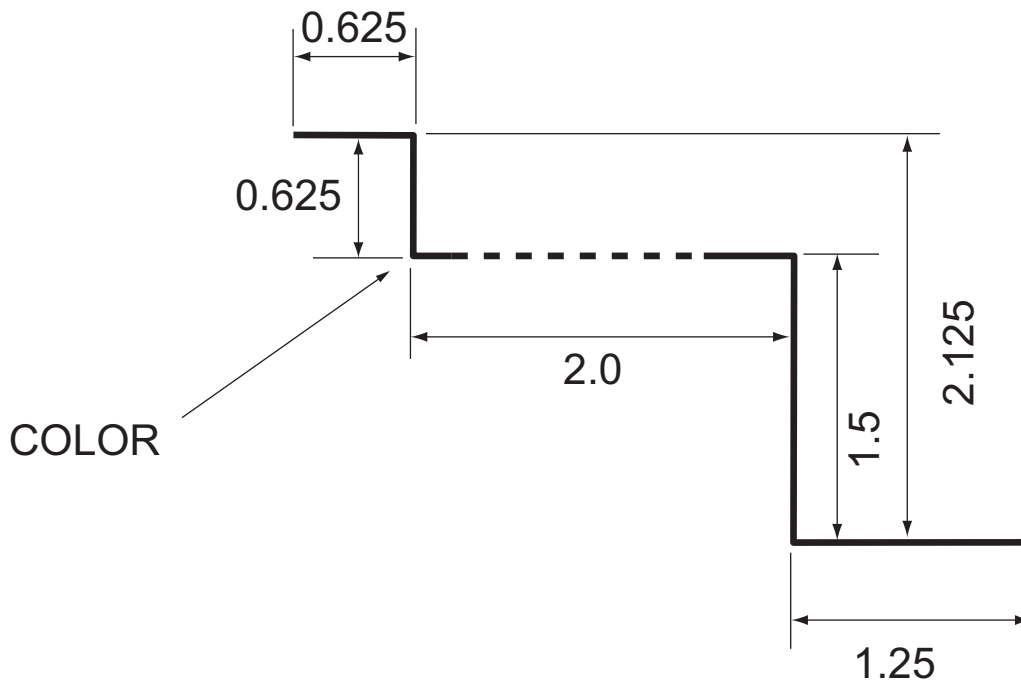


15.875" LONG



**2" Vented Z Closure**  
**S.O.: 6.0"**

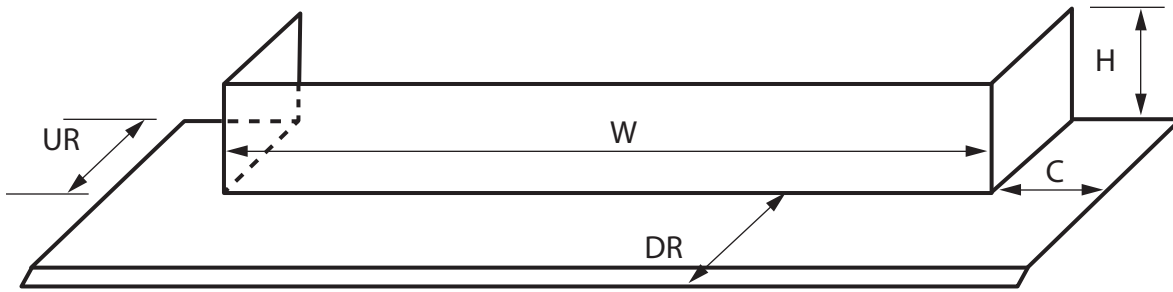
Revision Date: 1/17/2011  
Scale = 1:1



PANEL WIDTHS:	
ZZZ_V	= _____"
ZZZL_16	= 15.875" ZEE

**Flue Front (FF)**

Revision Date: 4/15/2011



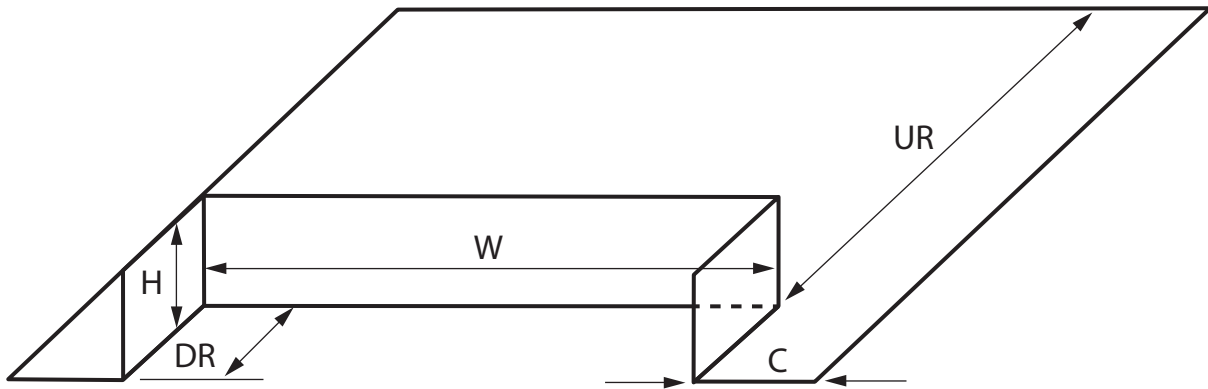
PITCH	<input type="text"/>	
WIDTH	<input type="text"/>	
HEIGHT	<input type="text"/>	5" STANDARD
CORNER	<input type="text"/>	5" STANDARD
DOWN ROOF	<input type="text"/>	5" STANDARD
UP ROOF	<input type="text"/>	5" STANDARD

METAL TYPE AND GAUGE →

- 26 Ga. GALVANIZED
- 24 Ga. GALVANIZED
- 26 Ga. PHOS-COATED
- 24 Ga. PHOS-COATED
- 16 OUNCE COPPER
- 2.5 LB LEAD

**Flue Back (FB)**

Revision Date: 4/18/2011



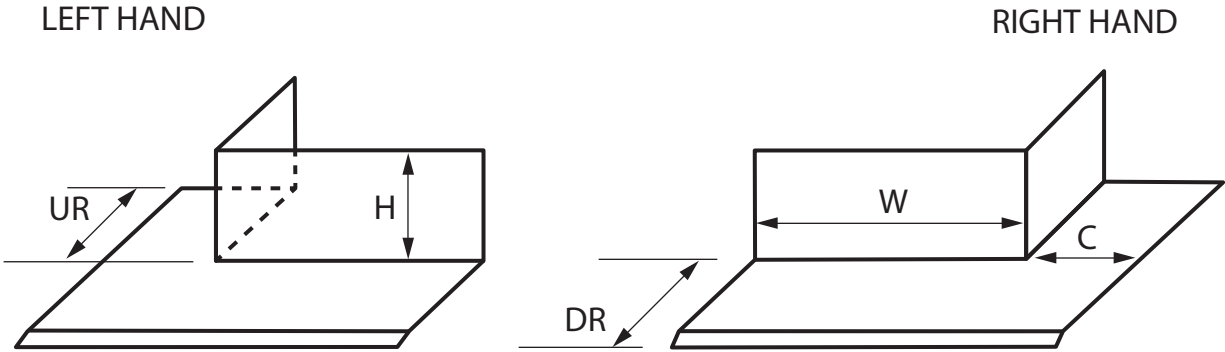
PITCH	<input type="text"/>	
WIDTH	<input type="text"/>	
HEIGHT	<input type="text"/>	5" STANDARD
CORNER	<input type="text"/>	5" STANDARD
DOWN ROOF	<input type="text"/>	5" STANDARD
UP ROOF	<input type="text"/>	16" STANDARD

METAL TYPE AND GAUGE →

- 26 Ga. GALVANIZED
- 24 Ga. GALVANIZED
- 26 Ga. PHOS-COATED
- 24 Ga. PHOS-COATED
- 16 OUNCE COPPER
- 2.5 LB LEAD

**Flue Front L & R (FFL & FFR)**

Revision Date: 4/18/2011



PITCH	<input type="text"/>	
WIDTH	<input type="text"/>	
HEIGHT	<input type="text"/>	5" STANDARD
CORNER	<input type="text"/>	5" STANDARD
DOWN ROOF	<input type="text"/>	5" STANDARD
UP ROOF	<input type="text"/>	5" STANDARD

METAL TYPE AND GAUGE →

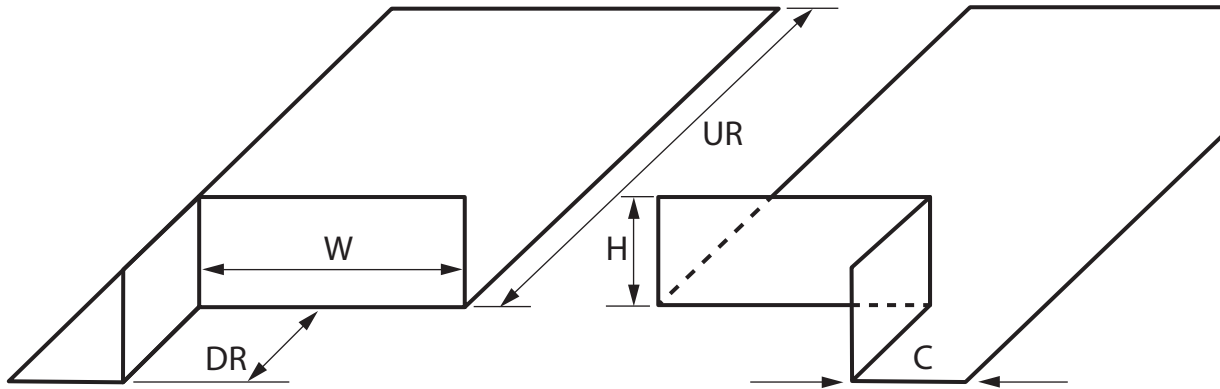
- 26 Ga. GALVANIZED
- 24 Ga. GALVANIZED
- 26 Ga. PHOS-COATED
- 24 Ga. PHOS-COATED
- 16 OUNCE COPPER
- 2.5 LB LEAD

**Flue Back L & R (FBL & FBR)**

Revision Date: 4/18/2011

LEFT HAND

RIGHT HAND



PITCH	<input type="text"/>	
WIDTH	<input type="text"/>	
HEIGHT	<input type="text"/>	5" STANDARD
CORNER	<input type="text"/>	5" STANDARD
DOWN ROOF	<input type="text"/>	5" STANDARD
UP ROOF	<input type="text"/>	16" STANDARD

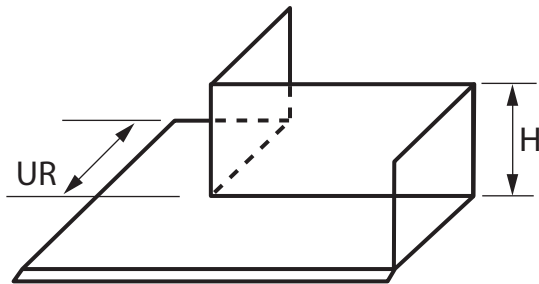
METAL TYPE AND GAUGE →

- 26 Ga. GALVANIZED
- 24 Ga. GALVANIZED
- 26 Ga. PHOS-COATED
- 24 Ga. PHOS-COATED
- 16 OUNCE COPPER
- 2.5 LB LEAD

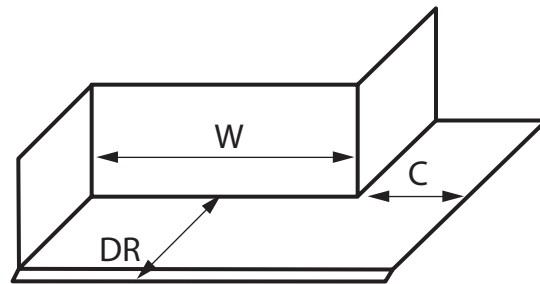
# Flue Front Closed L & R (FFLCR, FFRCL)

Revision Date: 4/18/2011

LEFT HAND (FFLCR)



RIGHT HAND (FFRCL)



PITCH	<input type="text"/>	
WIDTH	<input type="text"/>	
HEIGHT	<input type="text"/>	5" STANDARD
CORNER	<input type="text"/>	5" STANDARD
DOWN ROOF	<input type="text"/>	5" STANDARD
UP ROOF	<input type="text"/>	5" STANDARD

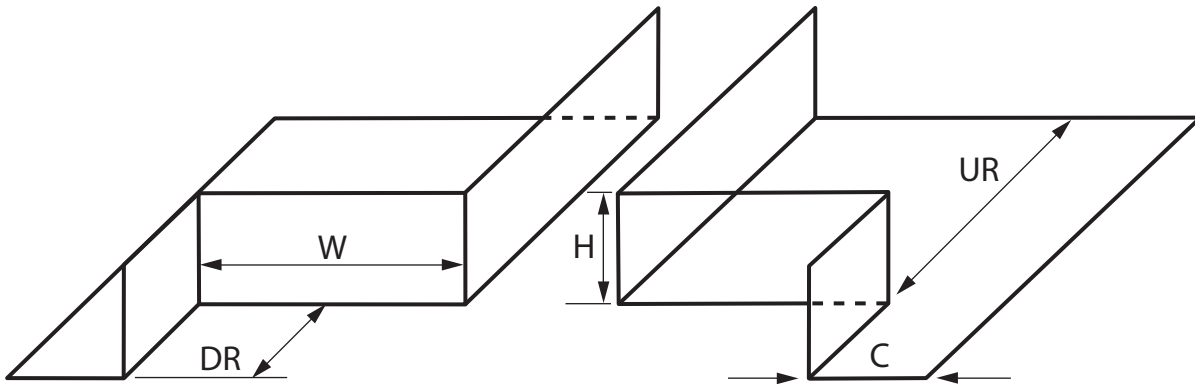
METAL TYPE AND GAUGE	→	<input type="checkbox"/> 26 Ga. GALVANIZED
		<input type="checkbox"/> 24 Ga. GALVANIZED
		<input type="checkbox"/> 26 Ga. PHOS-COATED
		<input type="checkbox"/> 24 Ga. PHOS-COATED
		<input type="checkbox"/> 16 OUNCE COPPER
		<input type="checkbox"/> 2.5 LB LEAD

# Flue Back Closed L & R (FBLCR, FBRCL)

Revision Date: 4/18/2011

LEFT HAND (FBLCR)

RIGHT HAND (FBRCL)



PITCH	<input type="text"/>	
WIDTH	<input type="text"/>	
HEIGHT	<input type="text"/>	5" STANDARD
CORNER	<input type="text"/>	5" STANDARD
DOWN ROOF	<input type="text"/>	5" STANDARD
UP ROOF	<input type="text"/>	16" STANDARD

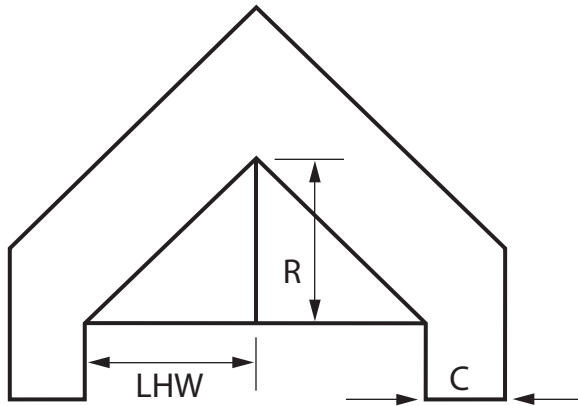
METAL TYPE AND GAUGE →

- 26 Ga. GALVANIZED
- 24 Ga. GALVANIZED
- 26 Ga. PHOS-COATED
- 24 Ga. PHOS-COATED
- 16 OUNCE COPPER
- 2.5 LB LEAD

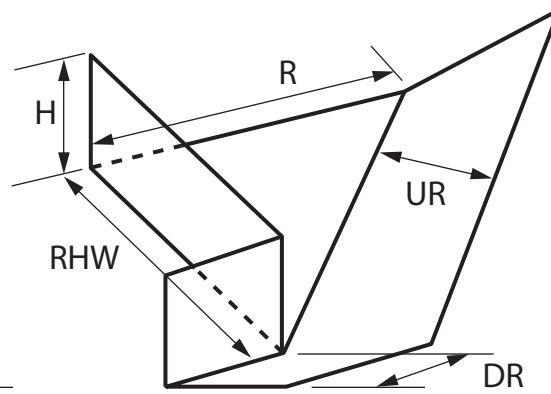
# Saddle L or R

Revision Date: 4/18/2011

TOP VIEW



RIGHT HAND VIEW



PITCH OF ROOF

CORNER

5" STD

PITCH OF SADDLE

DOWN RF

5" STD

LH WALL

UP ROOF

12" STD

RH WALL

RIDGE

HEIGHT

5" STD

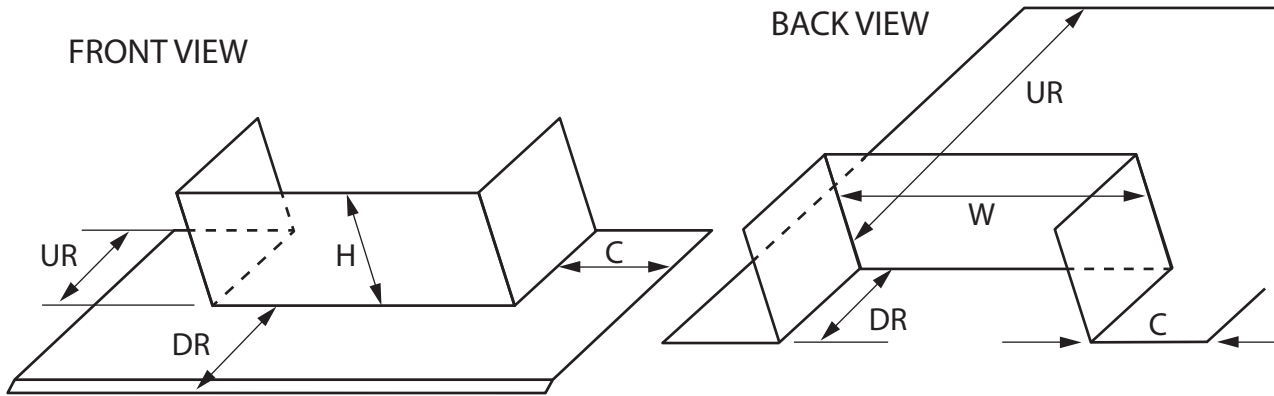
METAL TYPE AND GAUGE

- 26 Ga. GALVANIZED
- 24 Ga. GALVANIZED
- 26 Ga. PHOS-COATED
- 24 Ga. PHOS-COATED
- 16 OUNCE COPPER
- 2.5 LB LEAD



# Skylight Front & Back

Revision Date: 4/18/2011



WIDTH

HEIGHT

CORNER

DOWN ROOF

UP ROOF

WIDTH

HEIGHT  5" STD

CORNER  5" STD

DOWN ROOF  5" STD

UP ROOF  16" STD

METAL TYPE AND GAUGE →

- 26 Ga. GALVANIZED
- 24 Ga. GALVANIZED
- 26 Ga. PHOS-COATED
- 24 Ga. PHOS-COATED
- 16 OUNCE COPPER
- 2.5 LB LEAD

# Stick Metal

Revision Date: 4/19/2011

<p><b>(A)</b></p> <p>DRIP EDGE</p>	<p>PITCH <input type="text"/></p> <p>UP ROOF <input type="text"/></p> <p>FACE <input type="text"/></p>	<p>DRIP <input type="text"/></p> <p>HEM <input type="text"/></p> <p># OF FEET <input type="text"/></p>
<p><b>(B)</b></p> <p>ROOF TO WALL</p>	<p>PITCH <input type="text"/></p> <p>WALL <input type="text"/></p> <p>DN ROOF <input type="text"/></p>	<p>HUG 1 <input type="text"/></p> <p>HEM <input type="text"/></p> <p># OF FEET <input type="text"/></p>
<p><b>(C)</b></p> <p>CHANGE OF PITCH</p>	<p>PITCH 1 <input type="text"/></p> <p>PITCH 2 <input type="text"/></p> <p>UP ROOF <input type="text"/></p>	<p>DN ROOF <input type="text"/></p> <p>HUG <input type="text"/></p> <p>HEM <input type="text"/></p> <p># OF FEET <input type="text"/></p>
<p><b>(D)</b></p> <p>COUNTER FLASHING</p>	<p>SEALANT EDGE <input type="text"/></p> <p>FACE <input type="text"/></p> <p>DRIP <input type="text"/></p>	<p>HEM <input type="text"/></p> <p># OF FEET <input type="text"/></p>
<p><b>(E)</b></p> <p>GAMBREL</p>	<p>PITCH 1 <input type="text"/></p> <p>PITCH 2 <input type="text"/></p> <p>UP ROOF <input type="text"/></p>	<p>DN ROOF <input type="text"/></p> <p>HUG <input type="text"/></p> <p>HEM <input type="text"/></p> <p># OF FEET <input type="text"/></p>

METAL TYPE AND GAUGE →

- 26 Ga. GALVANIZED
- 24 Ga. GALVANIZED
- 26 Ga. PHOS-COATED
- 24 Ga. PHOS-COATED
- 16 OUNCE COPPER
- 158  2.5 LB LEAD

# Rubber Details

Revision Date: 4/19/2011

<p><b>(A)</b></p> <p>DRIP METAL</p>	<p>HEM 1 <input type="text"/></p> <p>ON ROOF <input type="text"/></p> <p>FACE <input type="text"/></p>	<p>DRIP <input type="text"/></p> <p>HEM 2 <input type="text"/></p> <p># OF FEET <input type="text"/></p>
<p><b>(B)</b></p> <p>ROOF TO WALL</p>	<p>SEALANT EDGE <input type="text"/></p> <p>FACE <input type="text"/></p> <p>CANI <input type="text"/></p>	<p>ON ROOF <input type="text"/></p> <p>HEM <input type="text"/></p> <p># OF FEET <input type="text"/></p>
<p><b>(C)</b></p> <p>ROOF TO LOWER SLOPE</p>	<p>PITCH <input type="text"/></p> <p>HEM 1 <input type="text"/></p> <p>ON ROOF <input type="text"/></p>	<p>DN ROOF <input type="text"/></p> <p>HUG <input type="text"/></p> <p>HEM 2 <input type="text"/></p> <p># OF FEET <input type="text"/></p>
<p><b>(D)</b></p> <p>ROOF TO UPPER SLOPE</p>	<p>PITCH <input type="text"/></p> <p>UP ROOF <input type="text"/></p> <p>ON ROOF <input type="text"/></p>	<p>HEM <input type="text"/></p> <p># OF FEET <input type="text"/></p>
<p><b>(E)</b></p> <p>CAP</p>	<p>HEM 1 <input type="text"/></p> <p>DRIP 1 <input type="text"/></p> <p>FACE 1 <input type="text"/></p>	<p>WIDTH <input type="text"/></p> <p>FACE 2 <input type="text"/></p> <p>DRIP 2 <input type="text"/></p> <p># OF FEET <input type="text"/></p>

METAL TYPE AND GAUGE →

- 26 Ga. GALVANIZED
- 24 Ga. GALVANIZED
- 26 Ga. PHOS-COATED
- 24 Ga. PHOS-COATED
- 16 OUNCE COPPER
- 2.5 LB LEAD