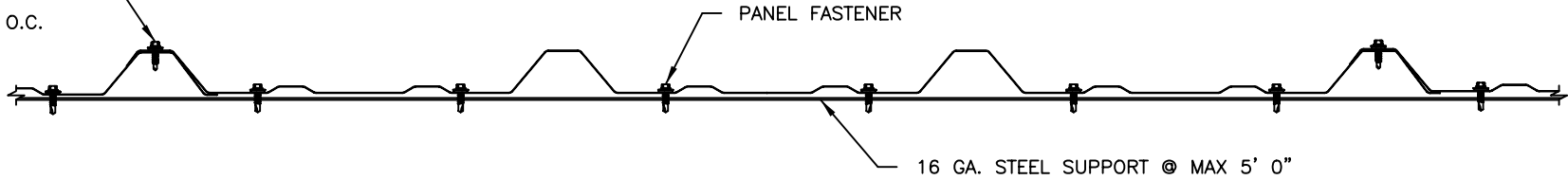
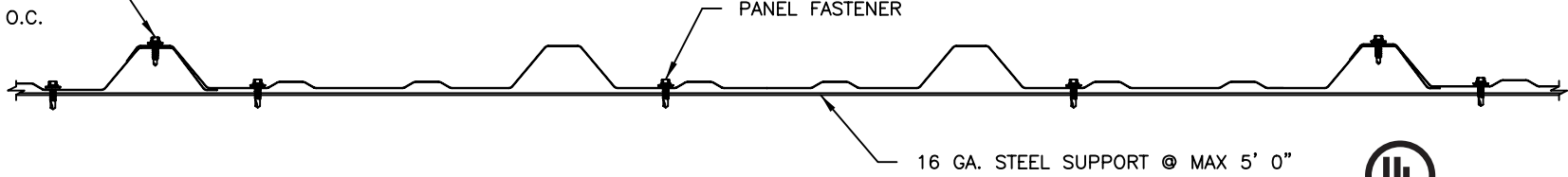


SIDELAP FASTENER
 @ 1'-0" O.C.

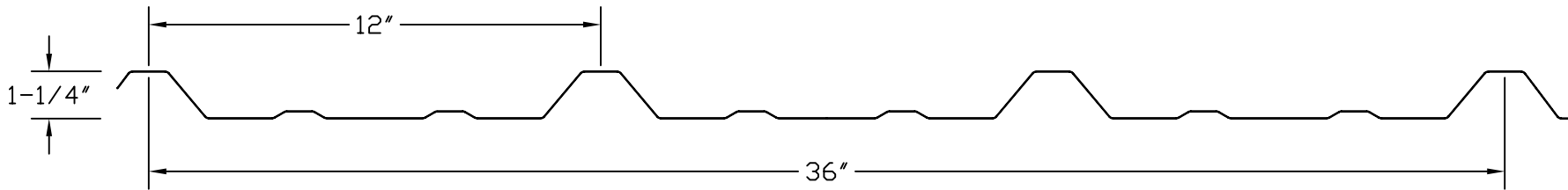


FASTENER PATTERN @ EAVE & RIDGE

SIDELAP FASTENER
 @ 1'-0" O.C.



FASTENER PATTERN @ INTERMEDIATE LOCATIONS & ENDLAPS

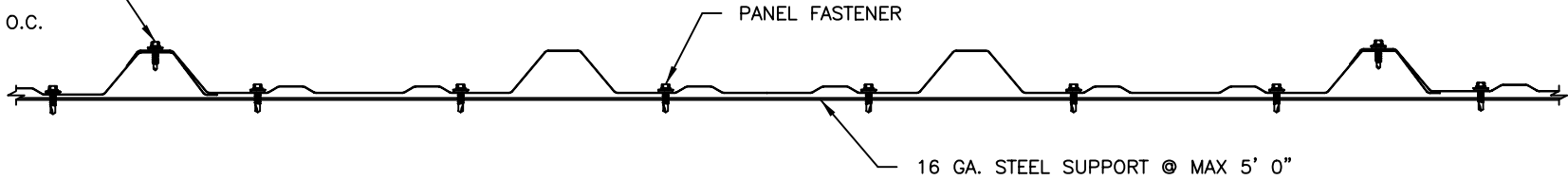


Strongseam R Panel Profile

24 or 26 Gauge, Minimum Yield = 80 KSI
 ASTM A792 for Galvalume Steel
 ASTM A755 for Painted Steel

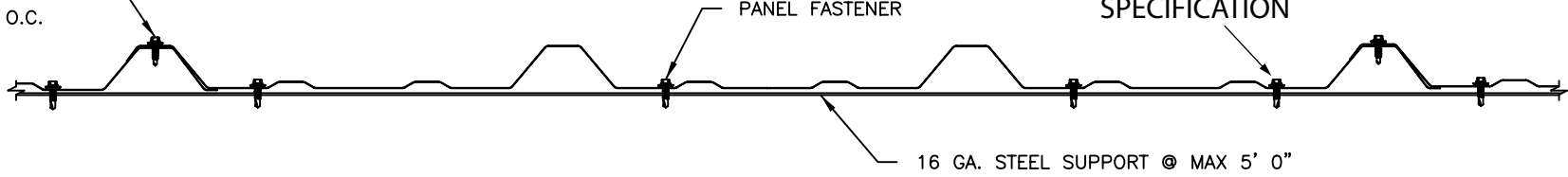
REV	DATE	REVISIONS										
1												
<table border="1"> <tr> <td>NAME</td> <td>DATE</td> </tr> <tr> <td>Brian Sockalingam</td> <td>1-4-2005</td> </tr> <tr> <td>CHECKED:</td> <td></td> </tr> <tr> <td>APPROVED:</td> <td></td> </tr> </table>			NAME	DATE	Brian Sockalingam	1-4-2005	CHECKED:		APPROVED:			
NAME	DATE											
Brian Sockalingam	1-4-2005											
CHECKED:												
APPROVED:												
SCALE	NONE											
PROJ FILE:	AG PANEL											
<table border="1"> <tr> <td colspan="2">STRONGSEAM R PANEL</td> </tr> <tr> <td colspan="2">METAL PANELS INC</td> </tr> <tr> <td colspan="2">10730 E 95TH PL</td> </tr> <tr> <td colspan="2">TULSA, OK 74146</td> </tr> <tr> <td colspan="2">Ph: (918) 441-4641 Fax: (918) 441-4646</td> </tr> </table>			STRONGSEAM R PANEL		METAL PANELS INC		10730 E 95TH PL		TULSA, OK 74146		Ph: (918) 441-4641 Fax: (918) 441-4646	
STRONGSEAM R PANEL												
METAL PANELS INC												
10730 E 95TH PL												
TULSA, OK 74146												
Ph: (918) 441-4641 Fax: (918) 441-4646												
DATE:	7-28-2004											
<p style="text-align: center;">1 OF 2</p>												
<p style="text-align: center;">Sheet No.</p>												

SIDELAP FASTENER
 @ 1'-0" O.C.



FASTENER PATTERN @ EAVE & RIDGE

SIDELAP FASTENER
 @ 1'-0" O.C.



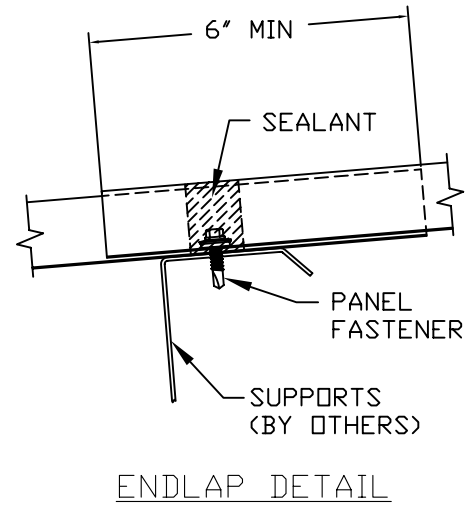
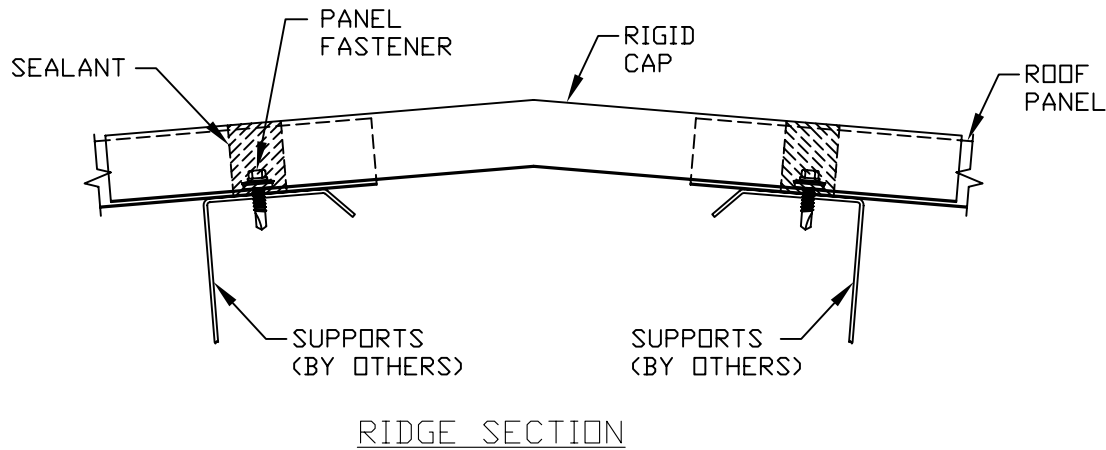
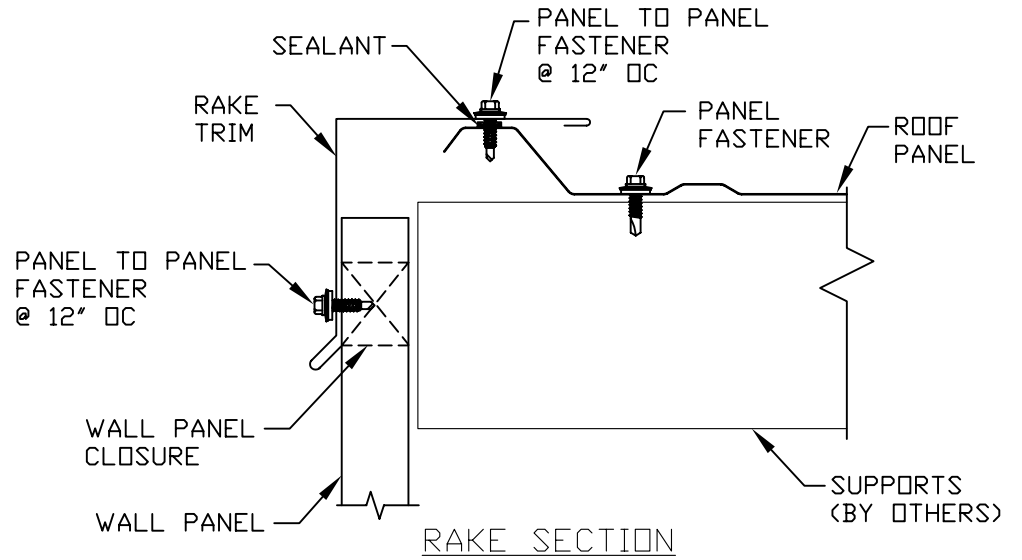
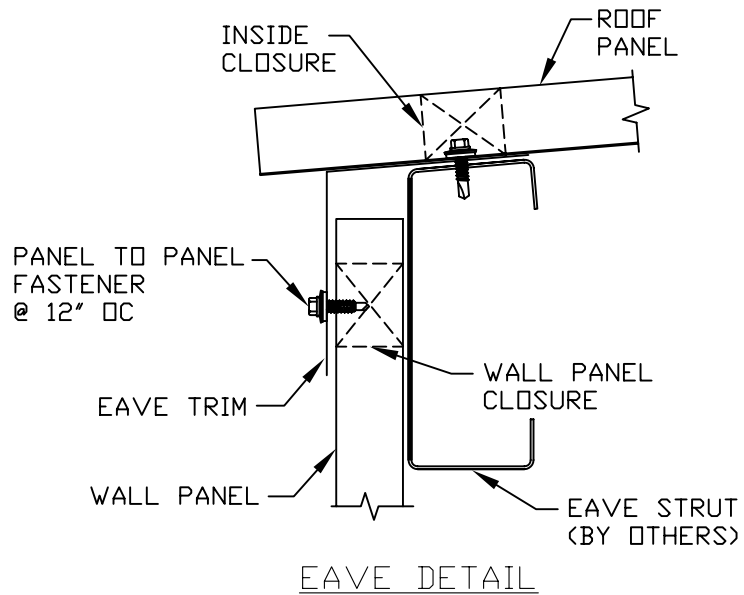
FASTENER PATTERN @ INTERMEDIATE LOCATIONS & ENDLAPS



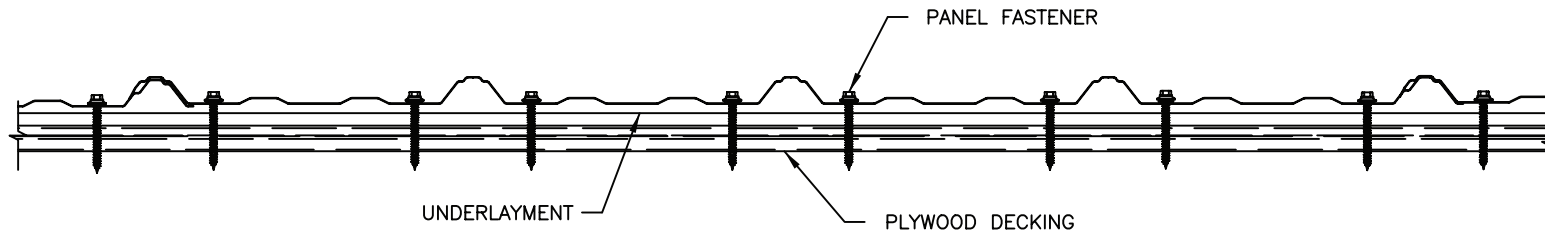
Strongseam R Panel Profile

24 or 26 Gauge, Minimum Yield = 80 KSI
 ASTM A792 for Galvalume Steel
 ASTM A755 for Painted Steel

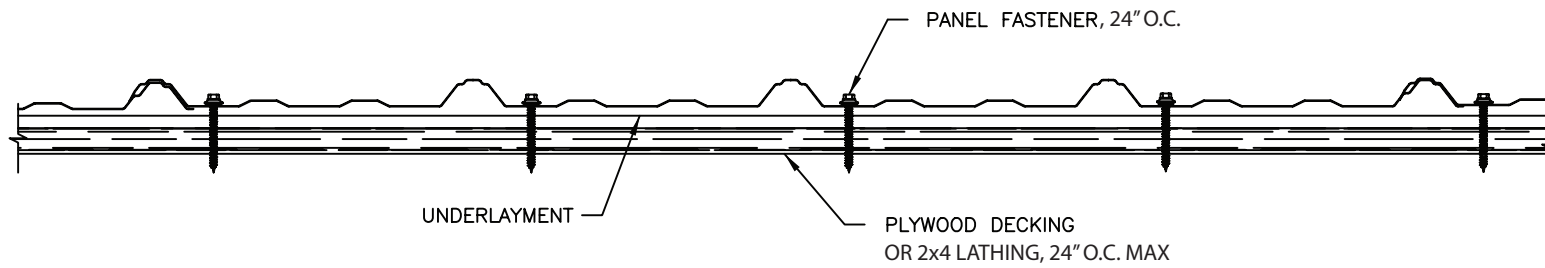
REV		DATE	REVISIONS	
1				
STRONGSEAM R PANEL		NAME	DATE	
		Brian Sockalingam	1-4-2005	
SCALE	NONE	DRAWN	CHECKED	APPROVED
NO. FILE	AG PANEL			
METAL PANELS INC		10730 E 95TH PL TULSA, OK 74146 Ph: (918) 441-1661 Fax: (918) 441-0846		
DATE:		7-28-2004		
1 OF 2				
Sheet No.				



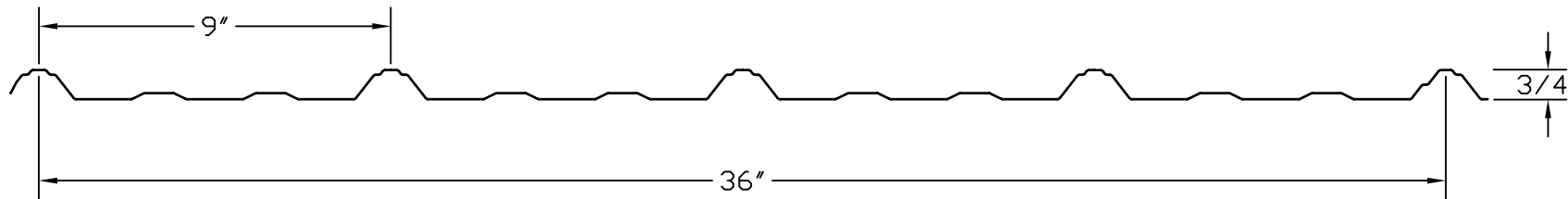
REV	DATE	NAME	DATE
1		Brian Sockalingam	1-4-2005
DRAWN		CHECKED	
BY: Brian Sockalingam		BY: [Signature]	
APPROVED		APPROVED	
BY: [Signature]		BY: [Signature]	
SCALE	NONE		
PROJ FILE:	R PANEL		
METAL PANELS INC 10730 E 85TH PL TULSA, OK 74146 Ph: (918) 481-1661 Fax: (918) 481-0846			
DATE:	1-4-2005		
2 OF 2			
Sheet No.			



FASTENER PATTERN @ EAVE, RIDGE & VALLEY



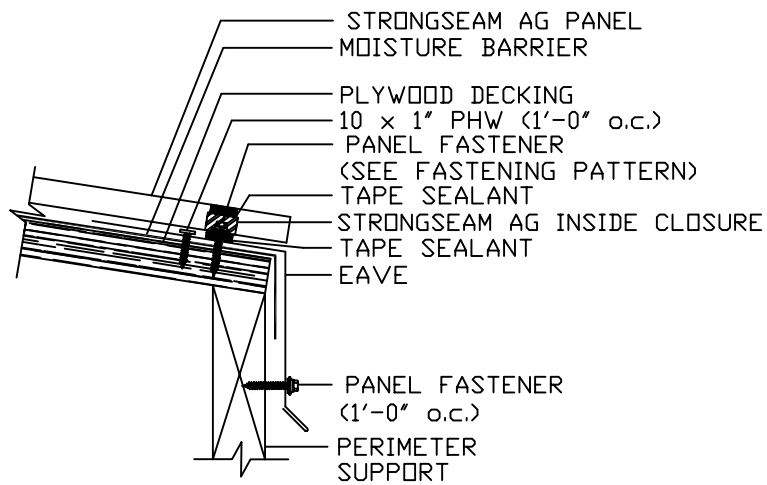
FASTENER PATTERN @ INTERMEDIATE LOCATIONS



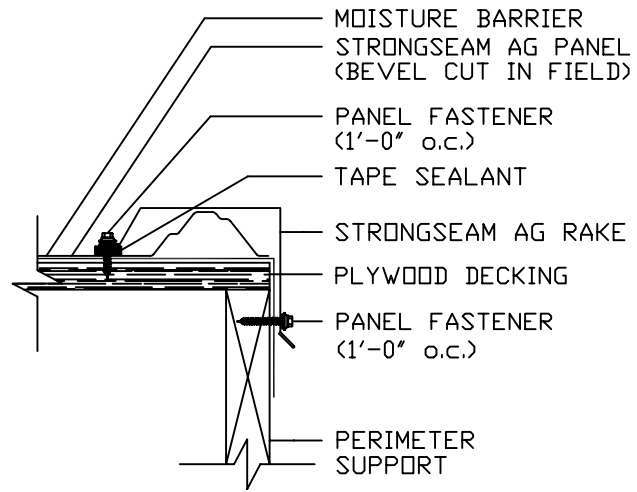
Strongseam AG Panel Profile

26 or 29 Gauge, Minimum Yield = 80 KSI
 ASTM A792 for Galvalume Steel
 ASTM A755 for Painted Steel
 ASTM A653 for Galvanized Steel

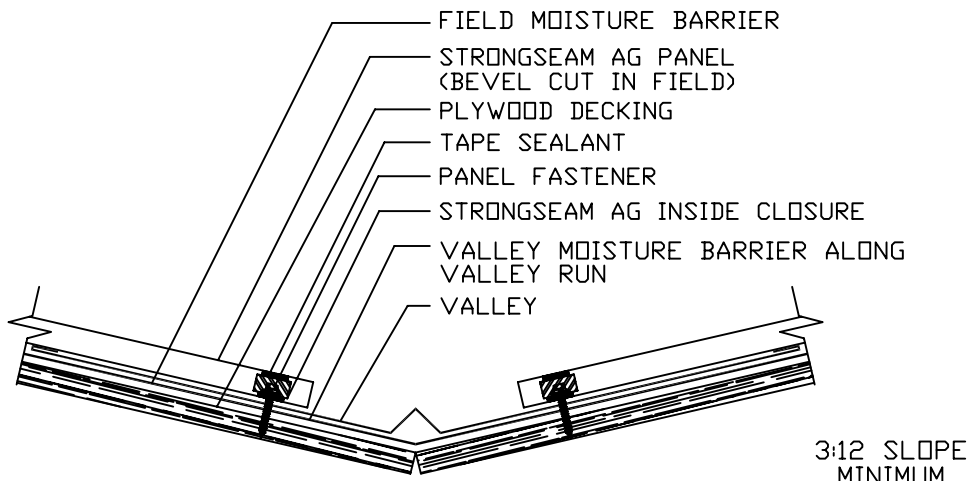
REV		DATE	REVISIONS	
1				
STRONGSEAM AG PANEL				
NO. FILE:	AG PANEL	SCALE:	NONE	
DRAWN:	Bois Societegem	CHECKED:		APPROVED:
NAME:		DATE:	1-4-2005	
METAL PANELS INC 10730 E 55TH PL TULSA, OK 74146 Ph: (918) 581-9881 Fax: (918) 581-9886				
DATE: 7-28-2004				
1 of 1				
Sheet No.				



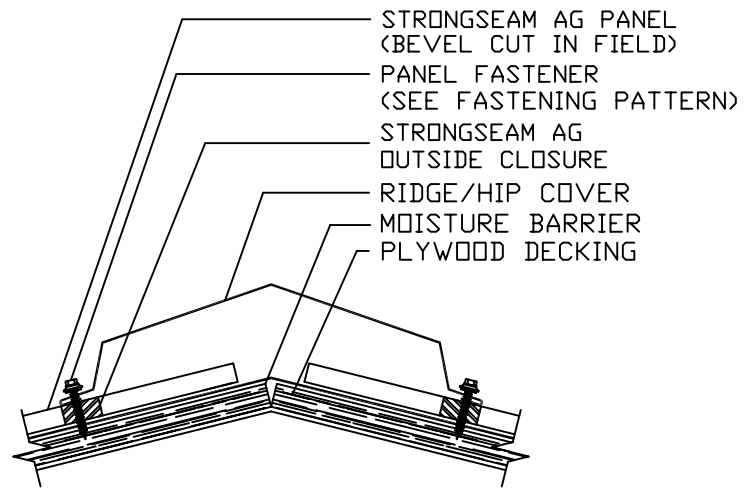
EAVE DETAIL



RAKE SECTION



VALLEY SECTION



RIDGE/HIP SECTION

REV		DATE	REVISIONS	
1		1-4-2005		
DRAWN		NAME	DATE	
CHECKED		Boho Sockalingam	1-4-2005	
APPROVED				
SCALE		NONE		
PANEL		AG PANEL		
STRONGSEAM AG PANEL				
METAL PANELS INC				
10730 E 85TH PL TULSA, OK 74146 Ph: (918) 481-0661 Fax: (918) 481-0666				
DATE:		1-4-2005		
2		OF 2		
Sheet No.				