



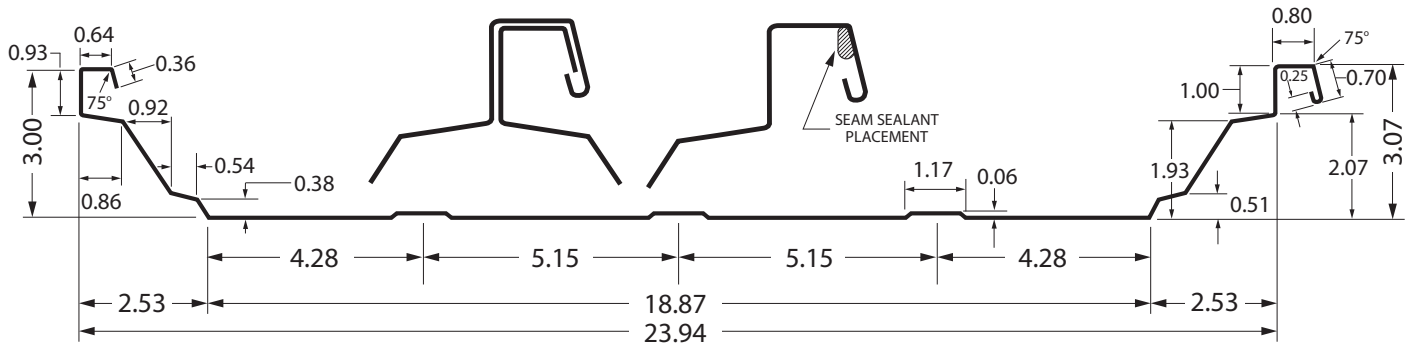
# PRODUCT INFORMATION

**Kansas City:**  
8341 Ruby Ave.  
Kansas City, KS 66111  
**913-766-7200**  
855-818-4958 toll-free  
913-766-7201 fax

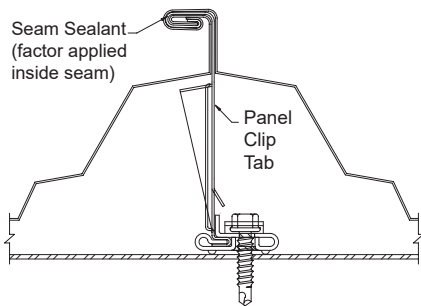
**Tulsa:**  
131 S. 147th E. Ave.  
Tulsa, OK 74116  
**918-641-0641**  
866-674-7657 toll-free  
918-641-0640 fax



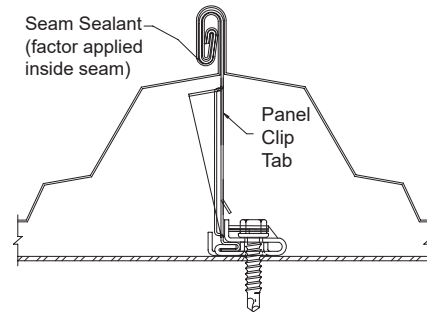
## TS324 TRAPAZOIDAL PANEL



### TripleLok®



### QuadLok®



Factory Mutual ratings BRS Licensees have achieved with the TS-324 roof system. These listings could be yours, too!

4471 Roof Classification	Panel Gauge	Clip Length	Seam	Prulin Spacing
1-90	24	4"	TripleLok	5'-0
1-105	24	4"	QuadLok	5'-0
1-120	24	8"	QuadLok	5'-0
1-120	22	4"	TripleLok	5'-0
1-165	24	8"	QuadLok	2'-6
1-180	22	8"	QuadLok	2'-6

To date, only BRS Licensees can achieve this level of performance.

ASTM E 1592 Uplift Test Results

TS-324

RollLok			
Purlin Spacing	Panel Gauge	Clip Length	Design Load
2'-0	24	4"	61.1
5'-0	24	4"	28.3
2'-0	22	4"	57.2
5'-0	22	4"	33.8

TripleLok			
Purlin Spacing	Panel Gauge	Clip Length	Design Load
2'-6	24	4"	85.5
5'-0	24	4"	42.8
2'-0	22	4"	122.5
5'-0	22	4"	44.0
2'-0	24	8"	106.0
5'-0	24	8"	51.9
2'-0	24	12"	127.8
5'-0	24	12"	61.5
2'-0	24	16"	149.7
5'-0	24	16"	71.2

QuadLok			
Purlin Spacing	Panel Gauge	Clip Length	Design Load
2'-0	24	4"	108.8
5'-0	24	4"	53.9
2'-0	22	4"	157.5
5'-0	22	4"	56.0
2'-0	24	8"	144.8
5'-0	24	8"	68.7
2'-0	24	12"	183.3
5'-0	24	12"	84.4

Design loads contain a safety factor calculated per AISI. Allowable wind uplift loads have NOT been increased by 33% as allowed by some codes when wind load controls. Test report values based on use of a BRS approved seamer.

ASTM E 1680-95 (2003)

Test Number	Static Pressure Difference	Air Infiltration Rate	
	psf	cfm/ft <sup>2</sup>	dfm/lin.ft
1	1.57	0.0007	0.0015
2	6.24	0.0018	0.0035
3	30.00	0.0042	0.0083
4	40.00	0.0046	0.0093

ASTM E 1646-95 (2003)

= None @ 12psf, 30psf and 50psf